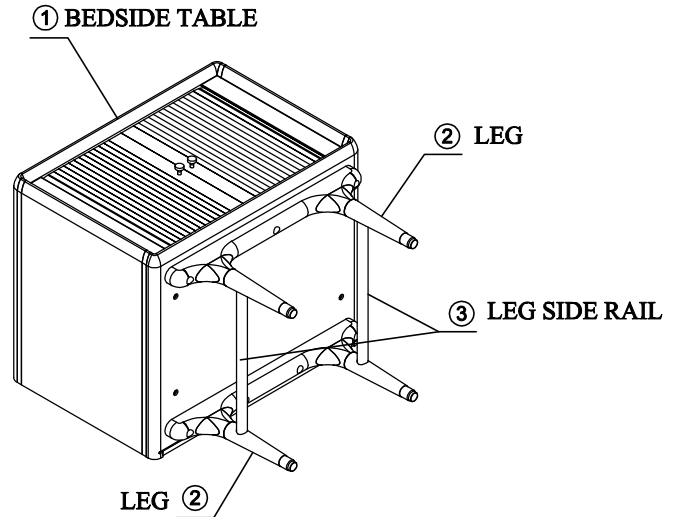
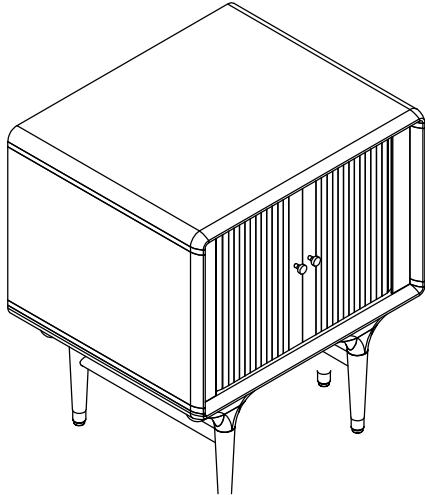






loungelovers

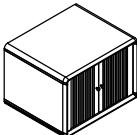
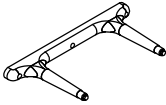
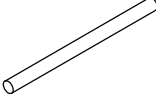
MANHATTAN BEDSIDE SLIDING DOORS

INSTRUCTION SHEET 1/3

- ~ Thank you for purchasing this quality product.
- ~ Please do not discard any of the packing material until you have checked all the part for fitting.
- ~ Before you begin to assemble your new piece of furniture, please check that all part have been supplied.
- ~ It is recommended that assembly is done on soft surface like carpet to avoid any damage.



HARDWARE LIST			
NO.	DESCRIPTION		QTY.
A		ALLEN KEY M4	1 pc
LEG RAIL HARDWARE			
B		JCBC SCREW M6 x 40	6 pcs
		SPRING WASHER M6	6 pcs
		FLAT WASHER M6 x 12	6 pcs

PART LIST			
NO.	DESCRIPTION		QTY.
1		BEDSIDE TABLE	1 pc
2		LEG	2 pcs
3		LEG SIDE RAIL	2 pcs

loungelovers





MANHATTAN BEDSIDE SLIDING DOORS

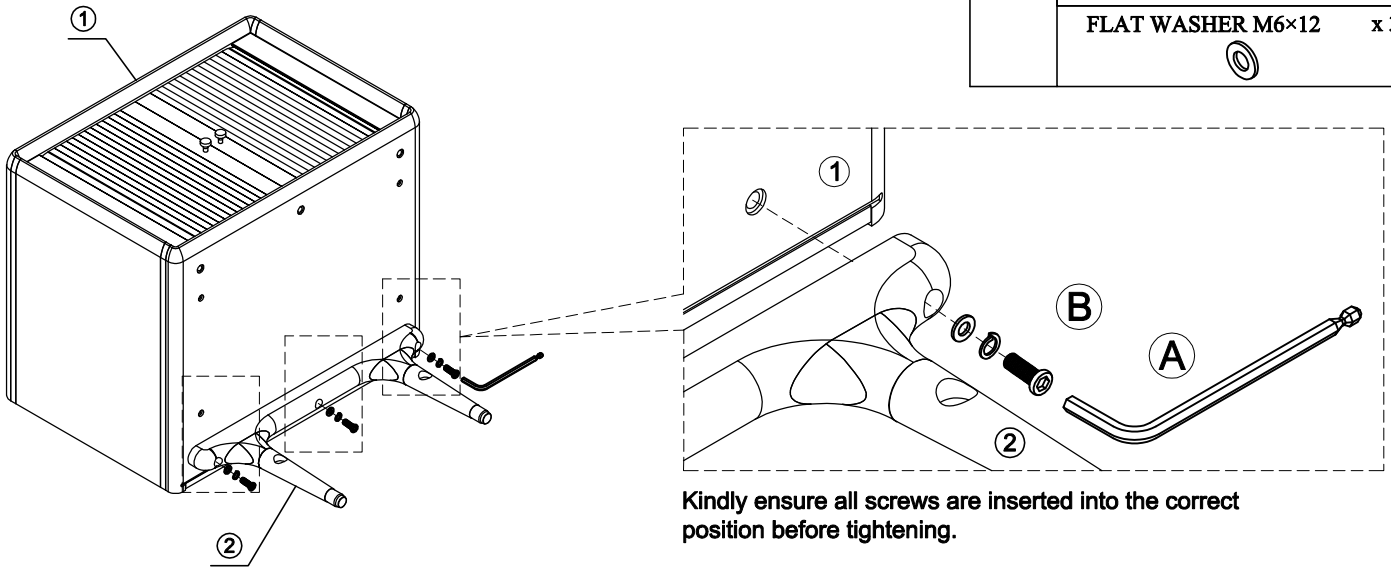
INSTRUCTION SHEET 2/3

- ~ Thank you for purchasing this quality product.
- ~ Please do not discard any of the packing material until you have checked all the part for fitting.
- ~ Before you begin to assemble your new piece of furniture, please check that all part have been supplied.
- ~ It is recommended that assembly is done on soft surface like carpet to avoid any damage.

STEP 1

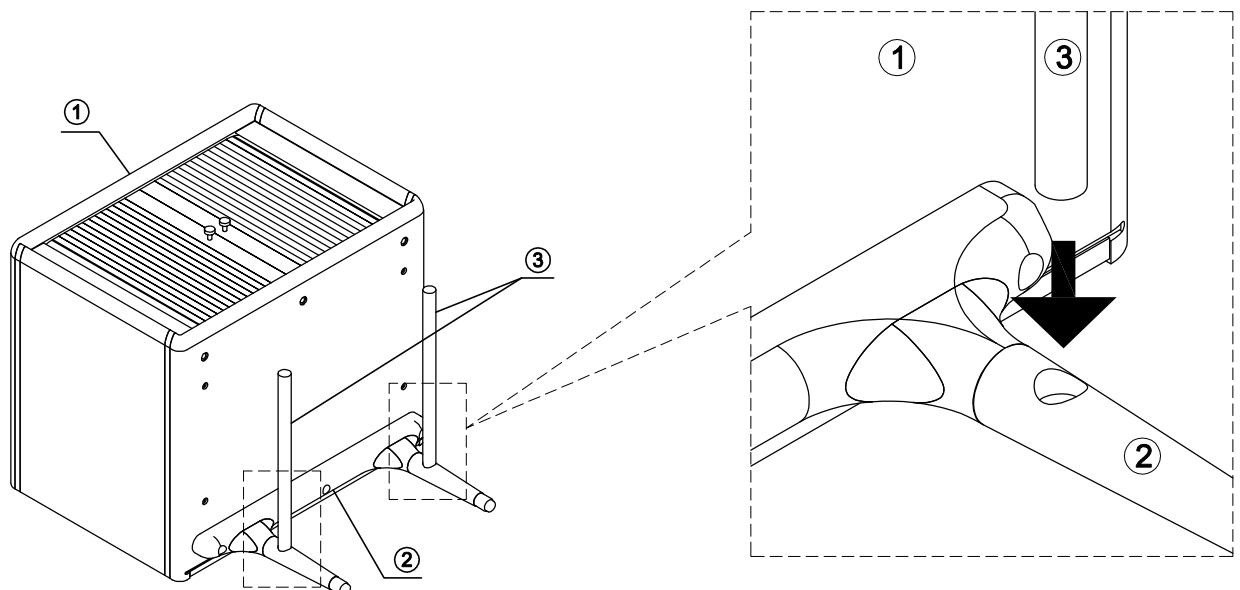
Assemble part (1) and (2) .

A	ALLEN KEY M4 	x 1
B	JCBC SCREW M6 × 40 	x 3
	SPRING WASHER M6 	x 3
	FLAT WASHER M6×12 	x 3



STEP 2

Assemble part (2) and (3) .



loungelovers





MANHATTAN BEDSIDE SLIDING DOORS

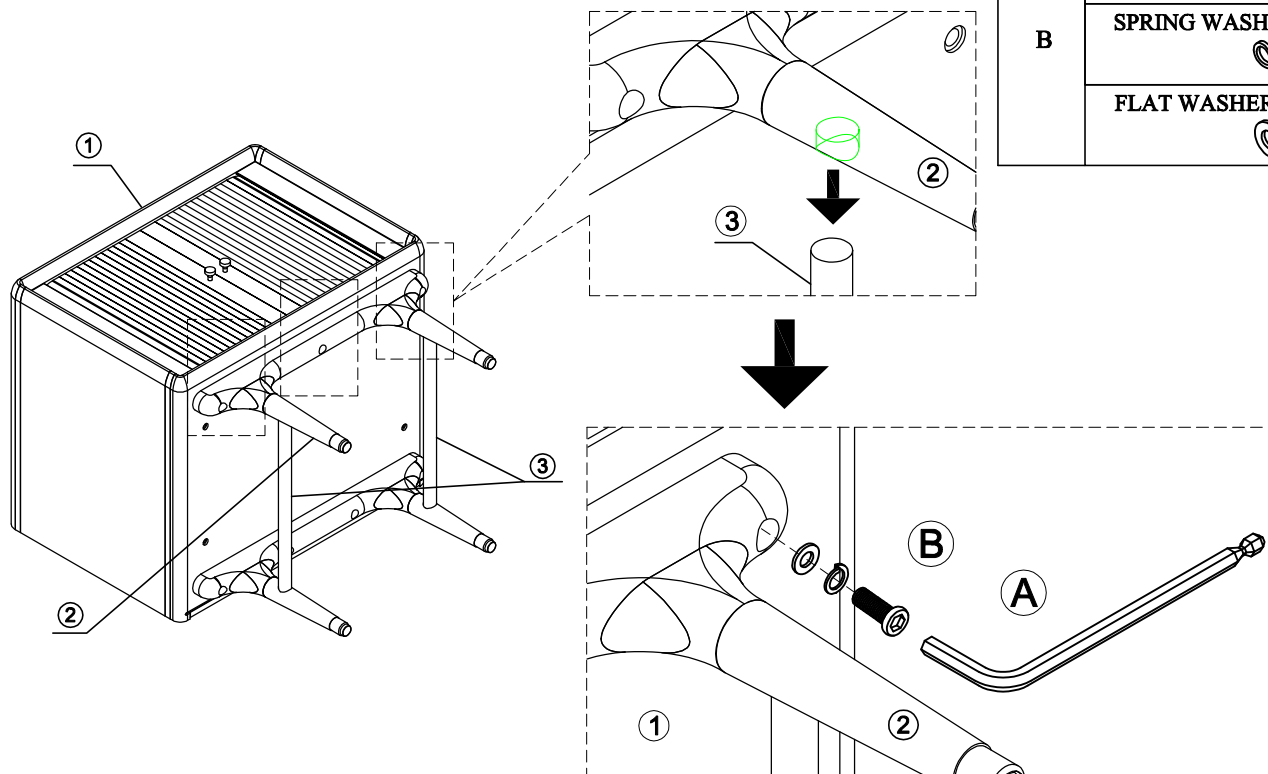
INSTRUCTION SHEET 3/3

- ~ Thank you for purchasing this quality product.
- ~ Please do not discard any of the packing material until you have checked all the part for fitting.
- ~ Before you begin to assemble your new piece of furniture, please check that all part have been supplied.
- ~ It is recommended that assembly is done on soft surface like carpet to avoid any damage.

STEP 3

Assemble part (1), (2) and (3) .

A	ALLEN KEY M4 	x 1
B	JCBC SCREW M6 x 40 	x 3
	SPRING WASHER M6 	x 3
	FLAT WASHER M6x12 	x 3



Kindly ensure all screws are inserted into the correct position before tightening.