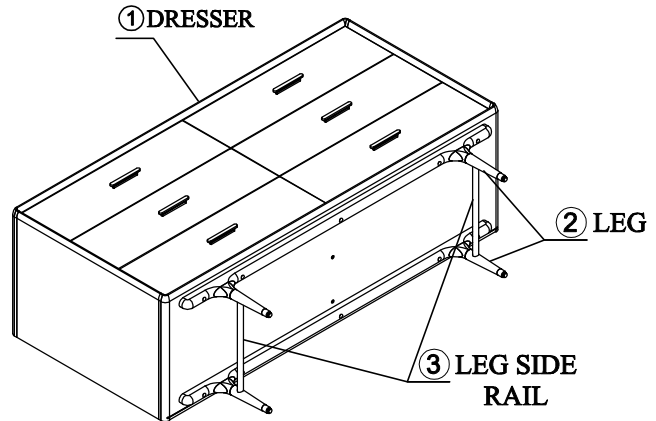
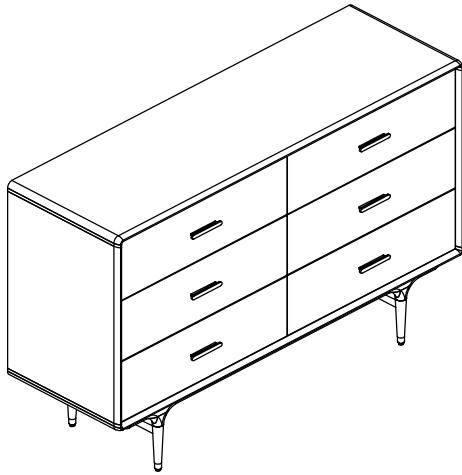


lounge lovers

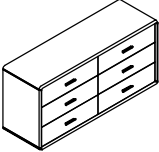
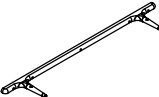
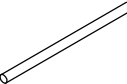
MANHATTAN 6 DRAWER DRESSER

INSTRUCTION SHEET 1/3

- ~ Thank you for purchasing this quality product.
- ~ Please do not discard any of the packing material until you have checked all the part for fitting.
- ~ Before you begin to assemble your new piece of furniture, please check that all part have been supplied.
- ~ It is recommended that assembly is done on soft surface like carpet to avoid any damage.



HARDWARE LIST			
NO.	DESCRIPTION		QTY.
A		ALLEN KEY M4	1 pc
LEG HARDWARE			
B		JCBC SCREW M6×40	10 pcs
		SPRING WASHER M6	10 pcs
		FLAT WASHER M6×12	10 pcs
ANTI TIPPING KIT			
C		FURNITURE TIPPING RESTRAINT	1 set

PARTS LIST			
NO.	DESCRIPTION		QTY
1		DRESSER	1 pc
2		LEG	2 pcs
3		LEG SIDE RAIL	2 pcs

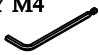



TOOL REQUIRED (NOT PROVIDED)

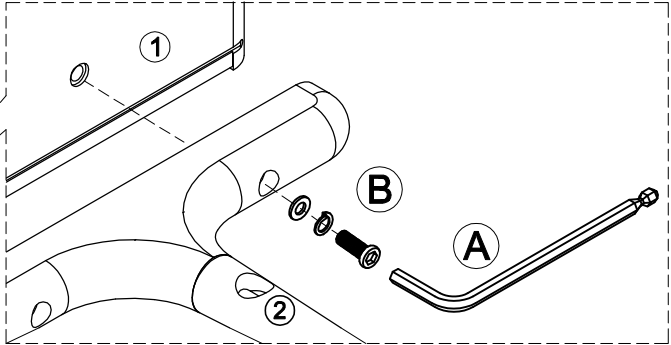
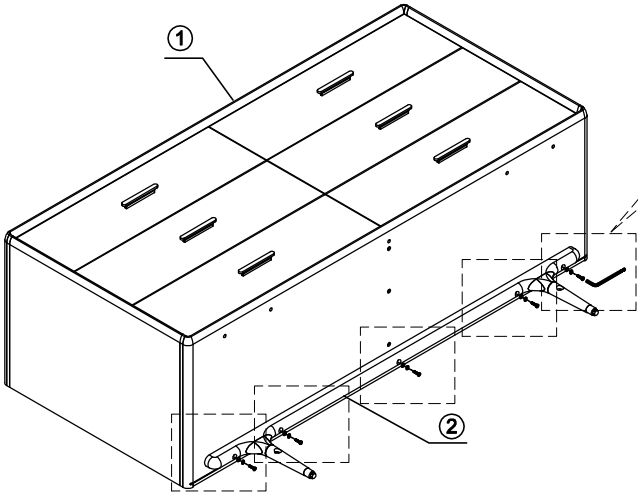


PHILLIPS SCREW DRIVER

loungelovers

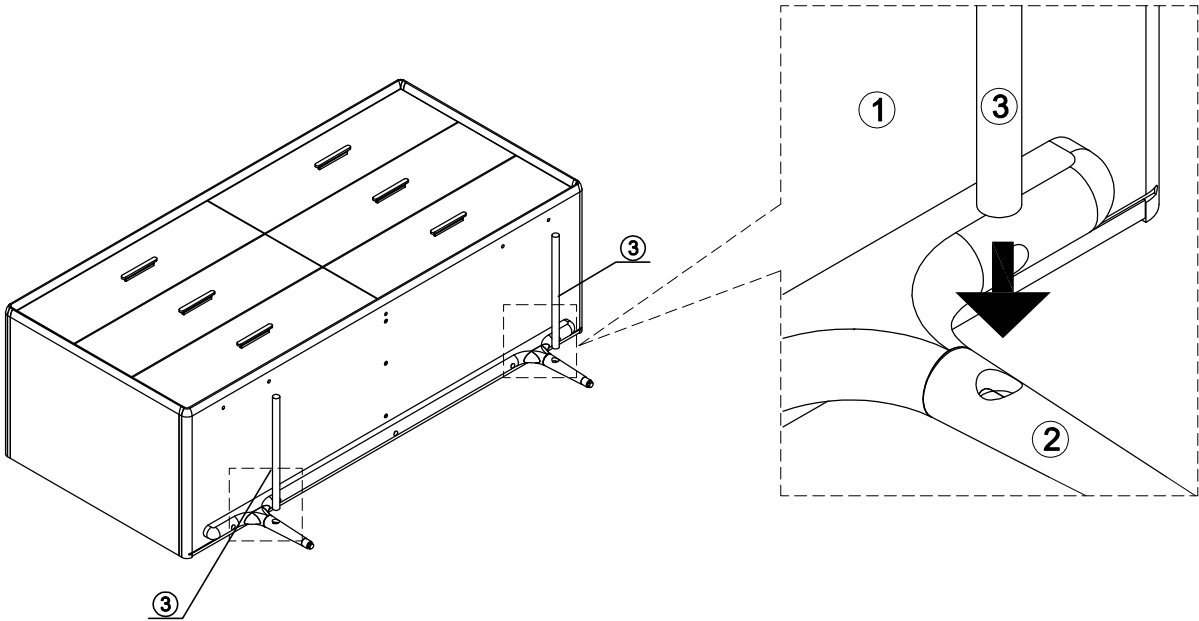
STEP 1
Assemble part (1) and (2).

A	ALLEN KEY M4 	x 1
B	JCBC SCREW M6×40 	x 5
	SPRING WASHER M6 	x 5
	FLAT WASHER M6×12 	x 5



Kindly ensure all screws are inserted into the correct position before tightening.

STEP 2
Assemble part (3).



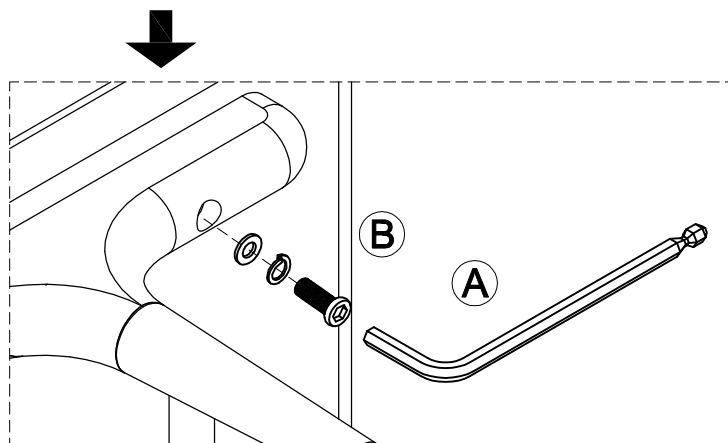
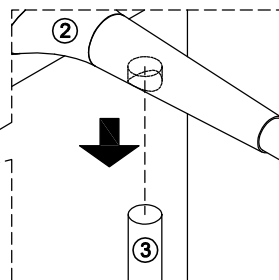
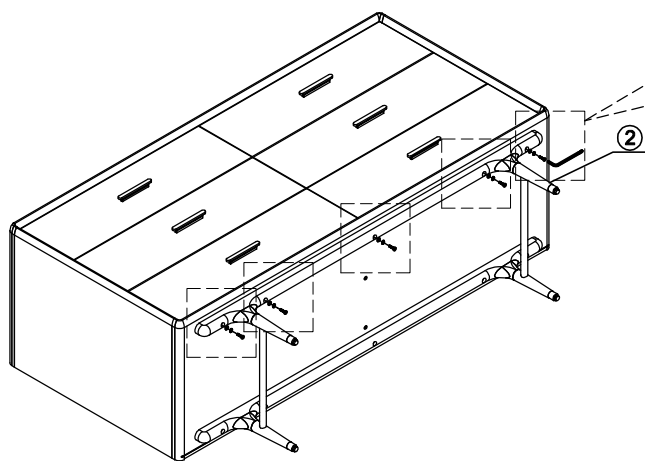
loungelovers

MANHATTAN 6 DRAWER DRESSER

INSTRUCTION SHEET 3/3

STEP 3

Assemble part (2) .

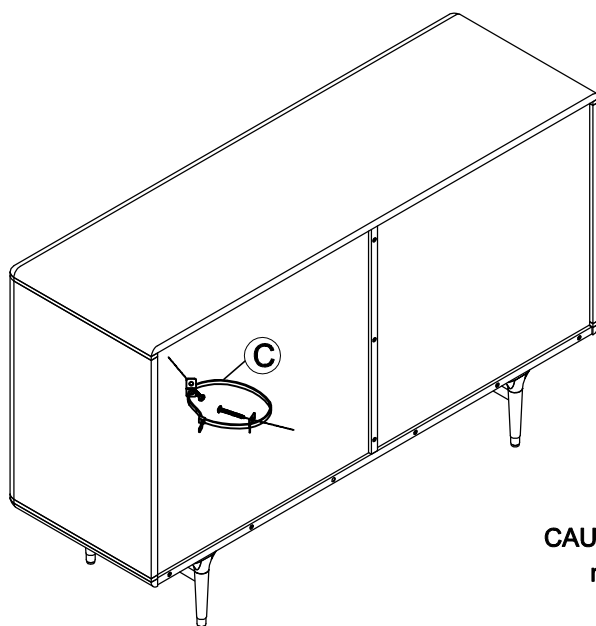


A	ALLEN KEY M4	x 1
B	JCBC SCREW M6×40	x 5
	SPRING WASHER M6	x 5
	FLAT WASHER M6×12	x 5

Kindly ensure all screws are inserted into the correct position before tightening.

STEP 4

C	FURNITURE TIPPING RESTRAINT	x 1
---	-----------------------------	-----



CAUTION: before wall assembling, be sure to match the right screws with the wall type.

MADE IN MALAYSIA