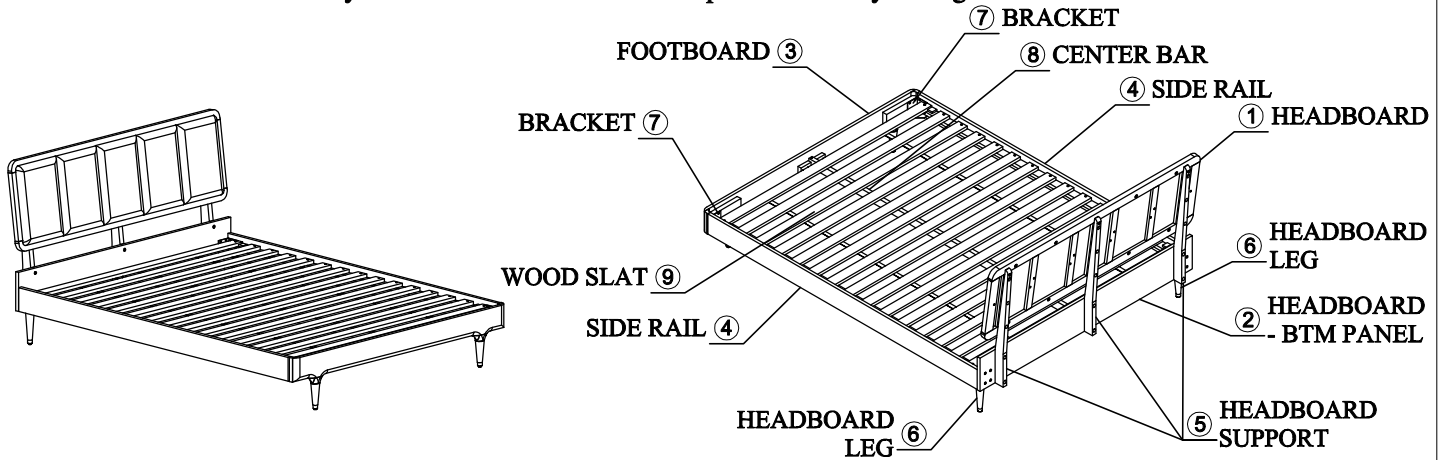












# loungelovers

MANHATTAN QUEEN UPHOLSTERED

INSTRUCTION SHEET 1/6

- ~ Thank you for purchasing this quality product.
- ~ Please do not discard any of the packing material until you have checked all the part for fitting.
- ~ Before you begin to assemble your new piece of furniture, please check that all part have been supplied.
- ~ It is recommended that assembly is done on soft surface like carpet to avoid any damage.

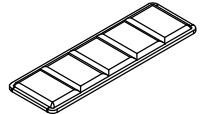
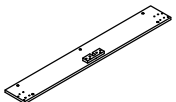
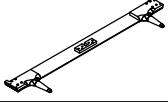

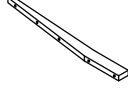
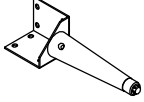
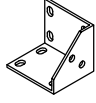
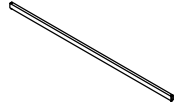
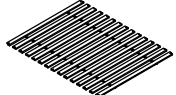


HARDWARE LIST			
NO.	DESCRIPTION		QTY.
A		ALLEN KEY M4	1 pc
B		ALLEN KEY M5	1 pc
SIDE RAIL HARDWARE			
C		DOWEL M8x30	8 pcs
BRACKET HARDWARE			
D		JCBC SCREW M6x20	32 pcs
		SPRING WASHER M6	32 pcs
		FLAT WASHER M6x17x2	32 pcs
HEADBOARD HARDWARE			
E		JCBB SCREW M8x35	15 pcs
		SPRING WASHER M8	15 pcs
		FLAT WASHER M8x16x2	15 pcs
WOOD SLAT HARDWARE			
F		THW CBS M4x30	30 pcs

TOOL REQUIRED (NOT PROVIDED)



PHILLIPS SCREW DRIVER

PARTS LIST			
NO.	DESCRIPTION		QTY.
1		HEADBOARD	1 pc
2		HEADBOARD - BTM PANEL	1 pc
3		FOOTBOARD	1 pc
4		SIDE RAIL	2 pcs
5		HEADBOARD SUPPORT	3 pcs
6		HEADBOARD LEG	2 pcs
7		BRACKET	2 pcs
8		CENTER BAR	1 pc
9		WOOD SLAT	1 pc

MADE IN MALAYSIA

# loungelovers

MANHATTAN QUEEN UPHOLSTERED

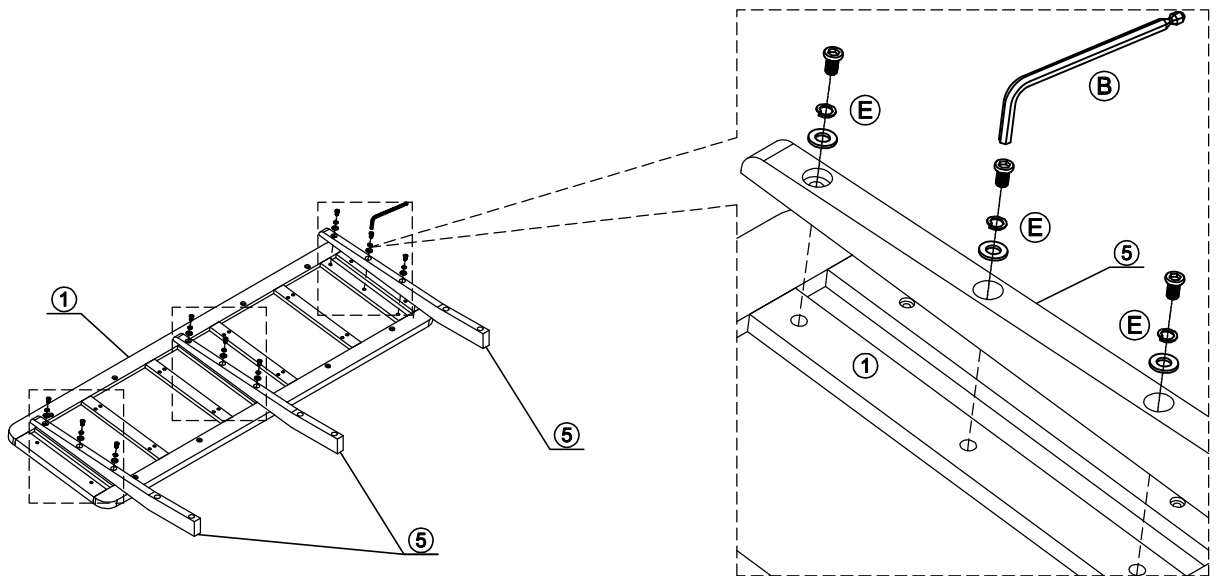
INSTRUCTION SHEET 2/6

- ~ Thank you for purchasing this quality product.
- ~ Please do not discard any of the packing material until you have checked all the part for fitting.
- ~ Before you begin to assemble your new piece of furniture, please check that all part have been supplied.
- ~ It is recommended that assembly is done on soft surface like carpet to avoid any damage.

## STEP 1

Assemble part (1) and (5).

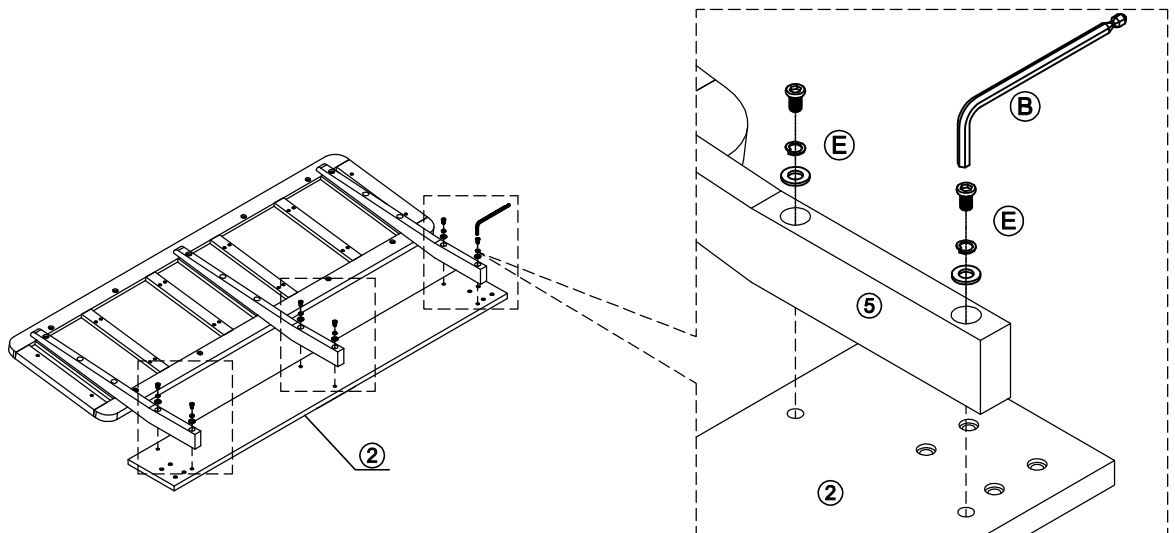
B	ALLEN KEY M5	×1
	JCBB SCREW M8×35	×9
E	SPRING WASHER M8	×9
	FLAT WASHER M8×16×2	×9



## STEP 2

Assemble part (2).

B	ALLEN KEY M5	×1
	JCBB SCREW M8×35	×6
E	SPRING WASHER M8	×6
	FLAT WASHER M8×16×2	×6



MADE IN MALAYSIA

# loungelovers

MANHATTAN QUEEN UPHOLSTERED


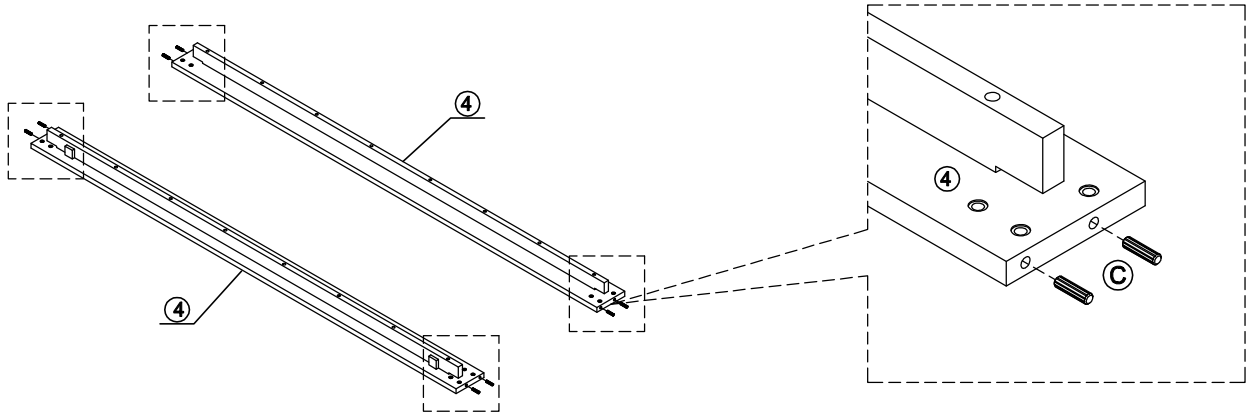
INSTRUCTION SHEET 3/6

- ~ Thank you for purchasing this quality product.
- ~ Please do not discard any of the packing material until you have checked all the part for fitting.
- ~ Before you begin to assemble your new piece of furniture, please check that all part have been supplied.
- ~ It is recommended that assembly is done on soft surface like carpet to avoid any damage.

**STEP 3**

Insert dowel (C).





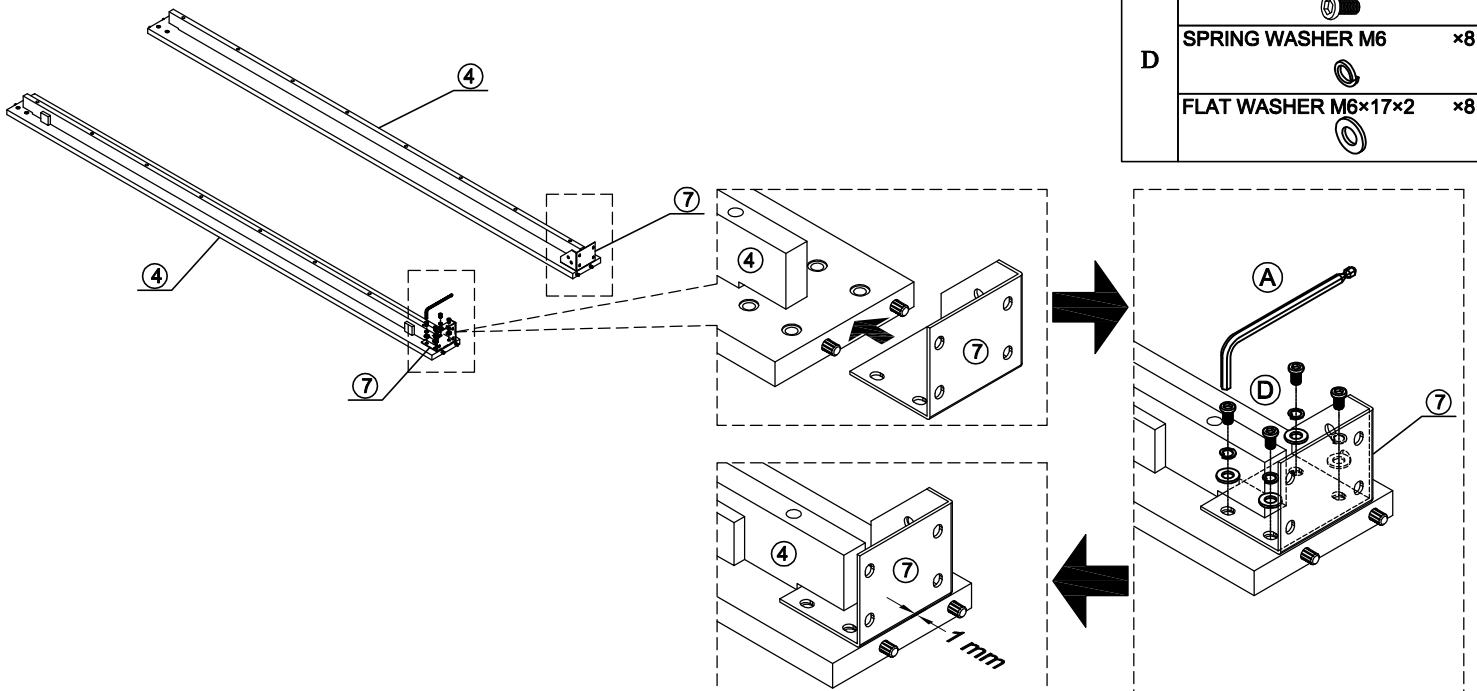
C	DOWEL M8×30	×8
---	-------------	----

**STEP 4**

Assemble part (4) and (7).

A	ALLEN KEY M4	×1
D	JCBC SCREW M6×20	×8
	SPRING WASHER M6	×8
	FLAT WASHER M6×17×2	×8

MADE IN MALAYSIA

# loungelovers

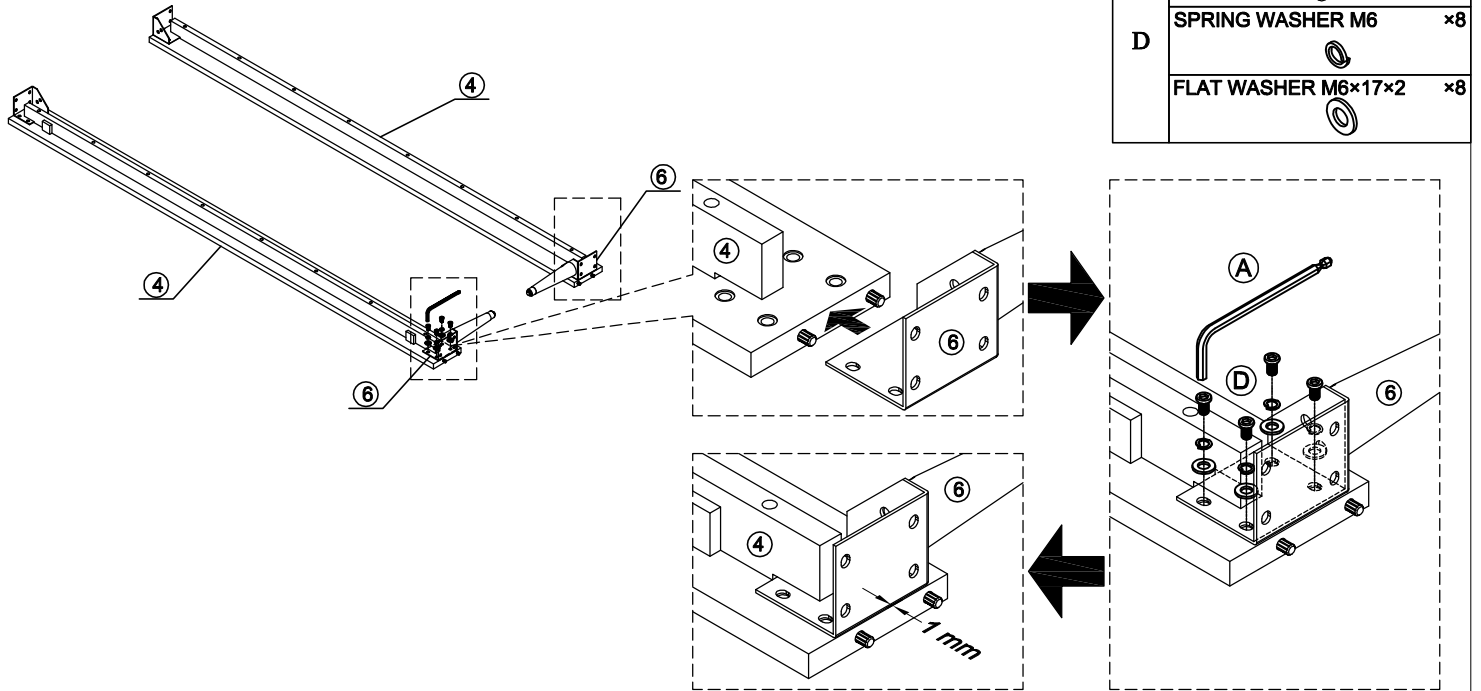
MANHATTAN QUEEN UPHOLSTERED

INSTRUCTION SHEET 4/6

- ~ Thank you for purchasing this quality product.
- ~ Please do not discard any of the packing material until you have checked all the part for fitting.
- ~ Before you begin to assemble your new piece of furniture, please check that all part have been supplied.
- ~ It is recommended that assembly is done on soft surface like carpet to avoid any damage.

## STEP 5

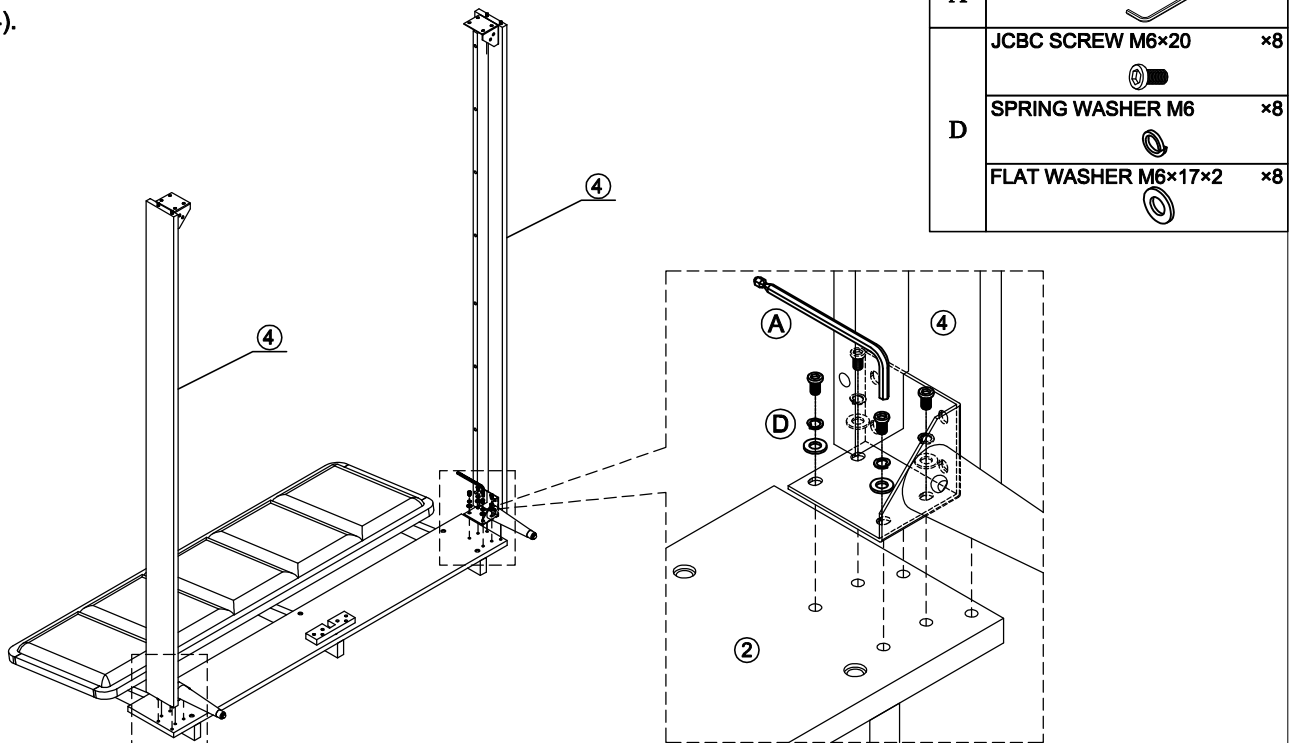
Assemble part (4) and (6).



A	ALLEN KEY M4	×1
D	JCBC SCREW M6×20	×8
	SPRING WASHER M6	×8
	FLAT WASHER M6×17×2	×8

## STEP 6

Assemble part (4).



A	ALLEN KEY M4	×1
D	JCBC SCREW M6×20	×8
	SPRING WASHER M6	×8
	FLAT WASHER M6×17×2	×8

MADE IN MALAYSIA

# loungelovers

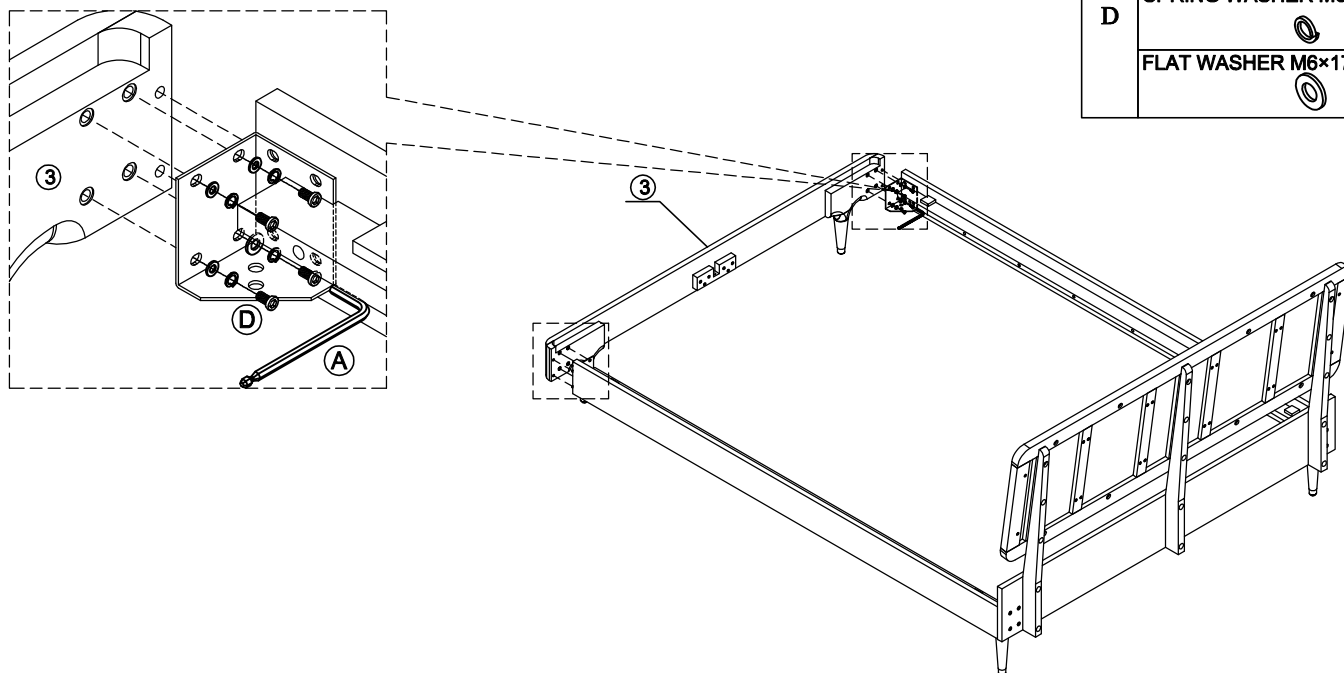
MANHATTAN QUEEN UPHOLSTERED

INSTRUCTION SHEET 5/6

- ~ Thank you for purchasing this quality product.
- ~ Please do not discard any of the packing material until you have checked all the part for fitting.
- ~ Before you begin to assemble your new piece of furniture, please check that all part have been supplied.
- ~ It is recommended that assembly is done on soft surface like carpet to avoid any damage.

## STEP 7

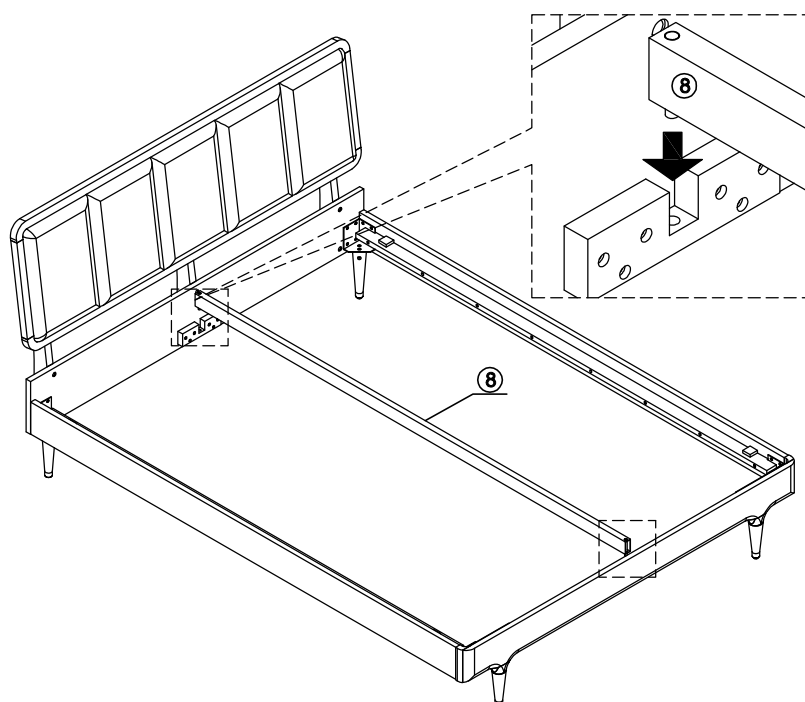
Assemble part (3).



A	ALLEN KEY M4	×1
D	JCBC SCREW M6×20	×8
	SPRING WASHER M6	×8
	FLAT WASHER M6×17×2	×8

## STEP 8

Assemble part (8).



MADE IN MALAYSIA

# loungelovers

MANHATTAN QUEEN UPHOLSTERED

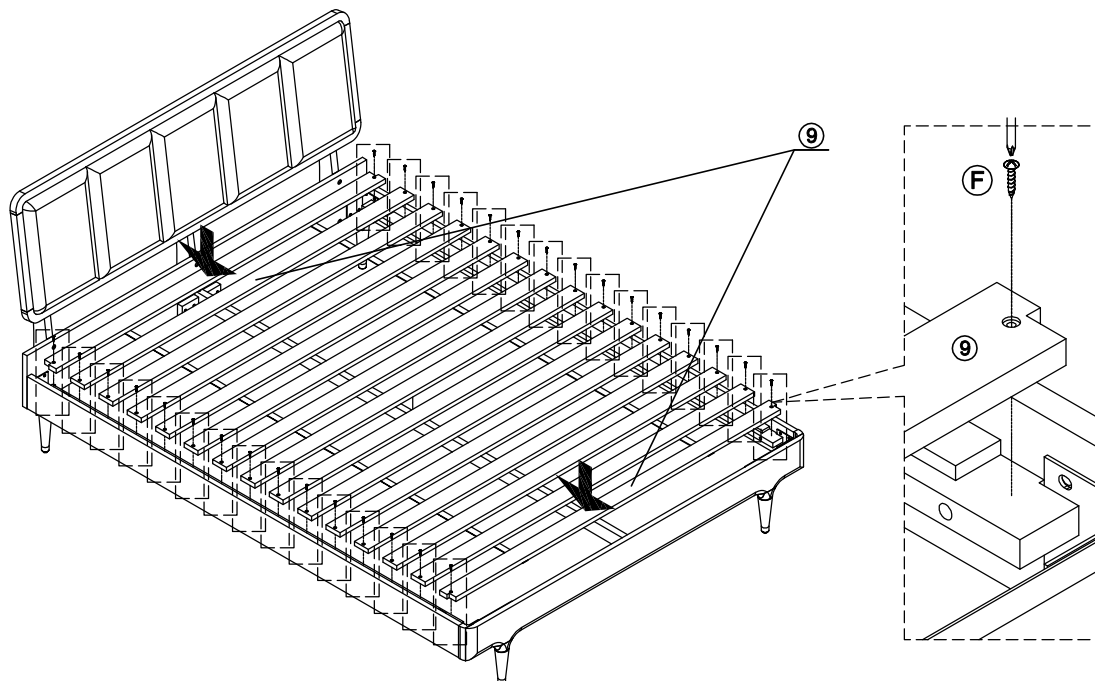
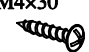
INSTRUCTION SHEET 6/6

- ~ Thank you for purchasing this quality product.
- ~ Please do not discard any of the packing material until you have checked all the part for fitting.
- ~ Before you begin to assemble your new piece of furniture, please check that all part have been supplied.
- ~ It is recommended that assembly is done on soft surface like carpet to avoid any damage.

## ***STEP 9***

Assemble part (9).

F	THW CBS M4x30	x30
---	---------------	-----



MADE IN MALAYSIA