






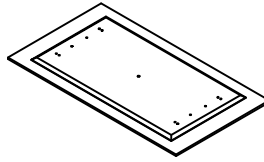
BRONTE DINING TABLE

L1800 x W1000 x H760 mm

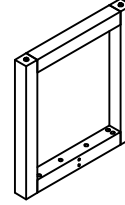
ASSEMBLY INSTRUCTIONS

HARDWARE FOR WOODEN

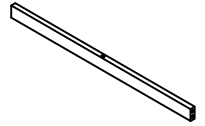
No.	Hardware	Q.ty
1	Bolt M8x70 	17
2	Lock Washer Ø8xØ12 	17
3	Washer Ø8xØ16 	17
4	Wooden Plug 	4
5	Key K4 	1



A x 1

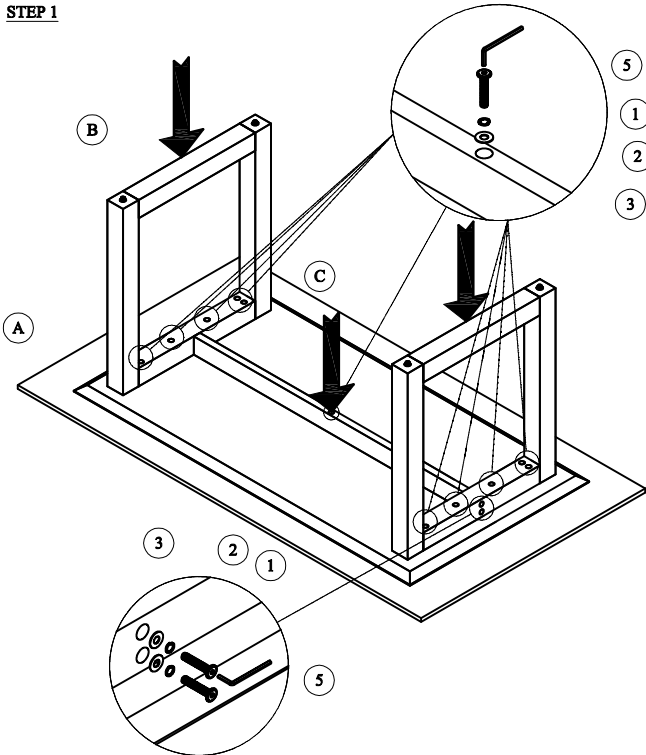


B x 2

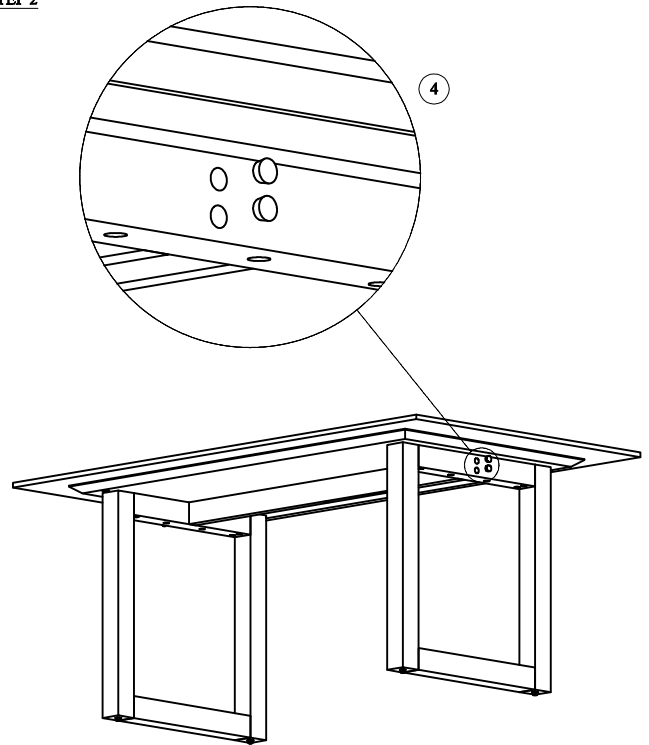


C x 1

STEP 1



STEP 2



FINISHED

