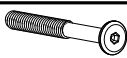






# BRONTE DINING TABLE

L2200 x W1000 x H760 mm

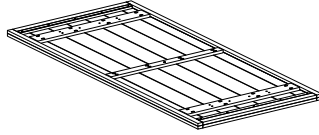
## ASSEMBLY INSTRUCTIONS

### HARDWARE FOR WOODEN

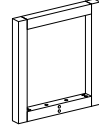
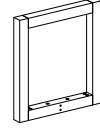
No.	Hardware	Q.ty
1	Bolt M8x70 	17
2	Washer Ø8xØ12 	17
3	Washer Ø8xØ16 	17
4	Wooden Plug 	4
5	Key K4 	1



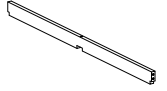
20 MIN



A x 1

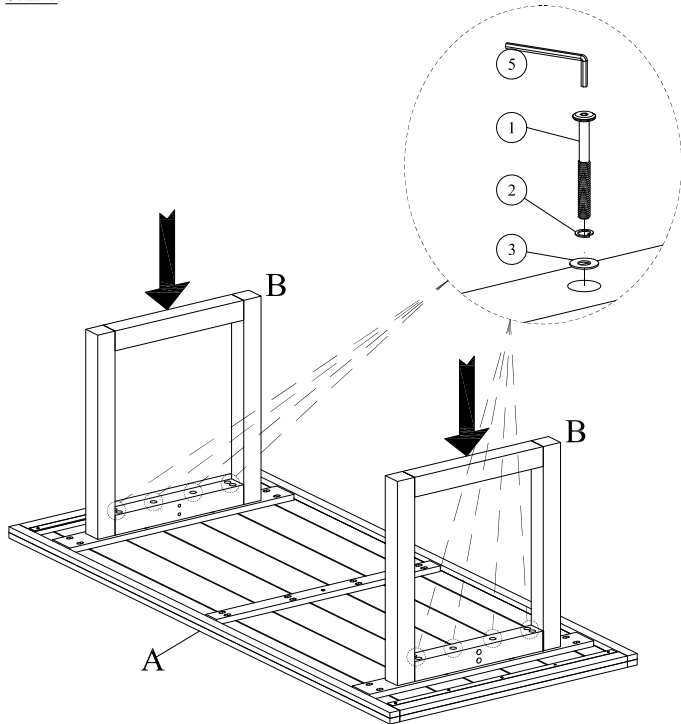


B x 2

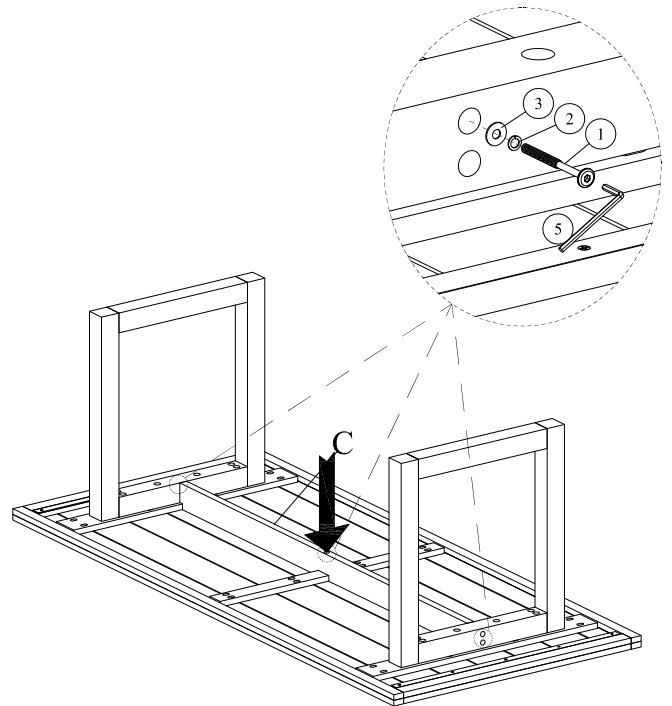


C x 1

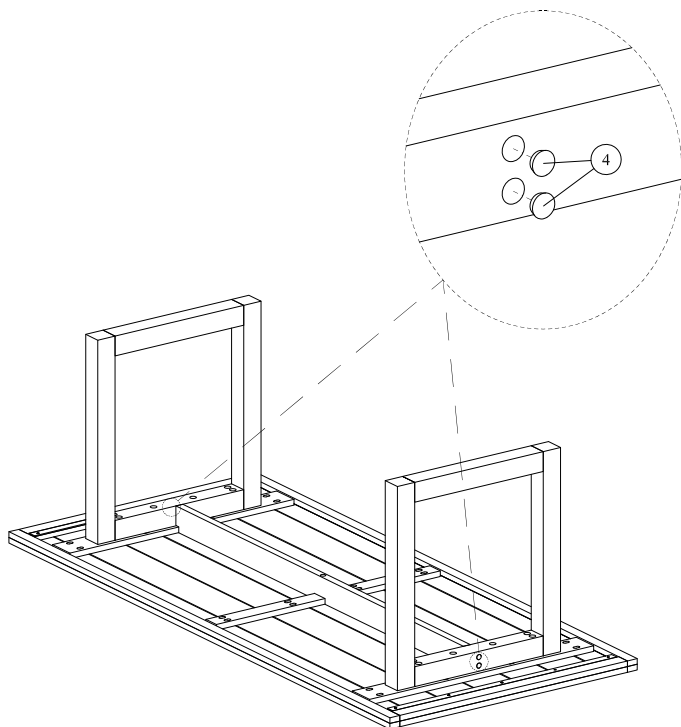
### STEP 1



### STEP 2



### STEP 3



### FINISHED

