



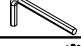



BRONTE ROUND DINING TABLE

L1300 x W1300 x H760 mm

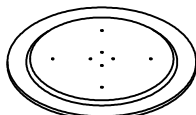
ASSEMBLY INSTRUCTIONS

HARDWARE FOR WOODEN

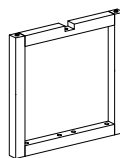
No.	Hardware	Q.ty
1	Bolt M8x35 	1
2	Bolt M8x70 	8
3	Lock Washer Ø8xØ12 	9
4	Washer Ø8xØ16 	9
5	Key K4 	1
6	Screw M4x35 	8



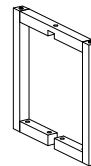
20 MIN



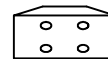
A x 1



B x 1

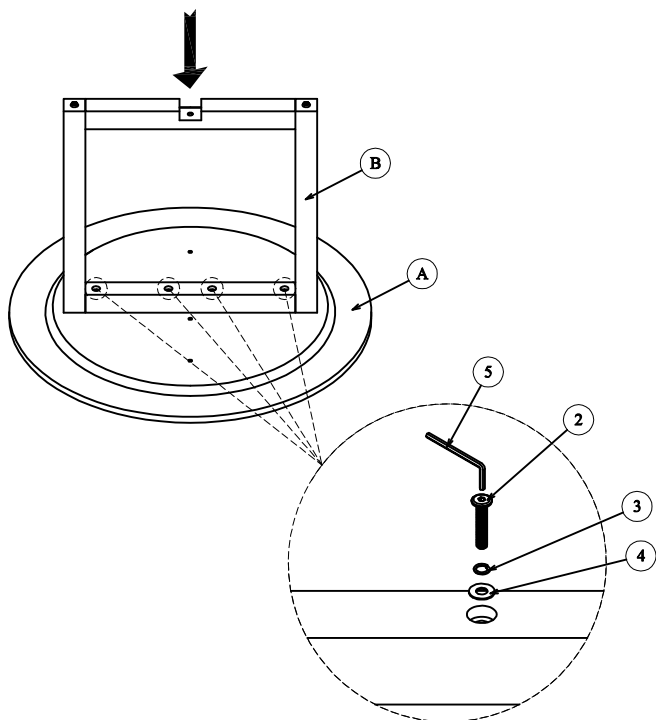


C x 1

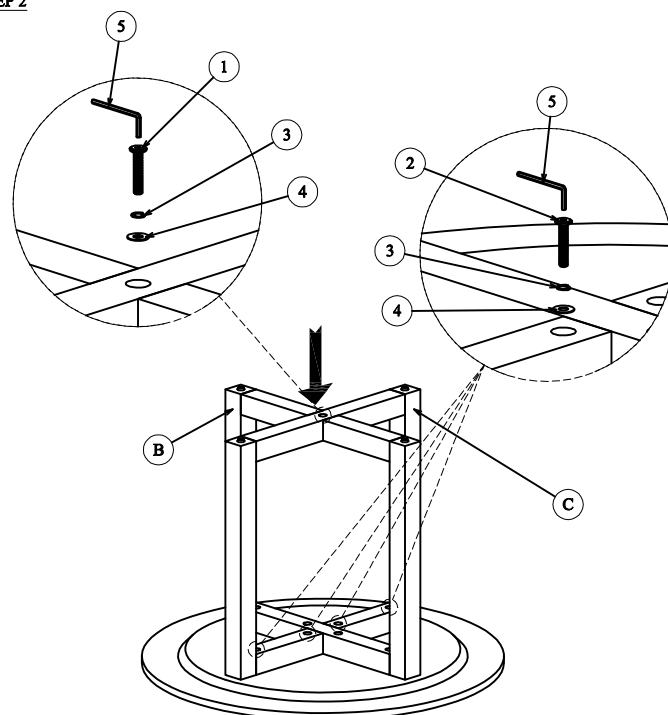


D x 2

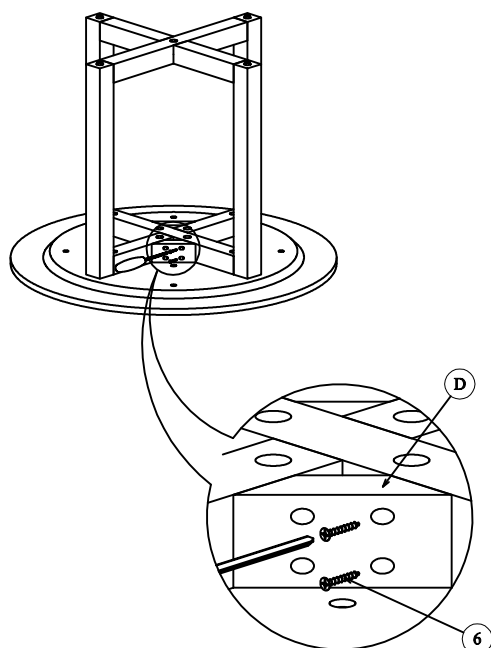
STEP 1



STEP 2



STEP 3



FINISHED

