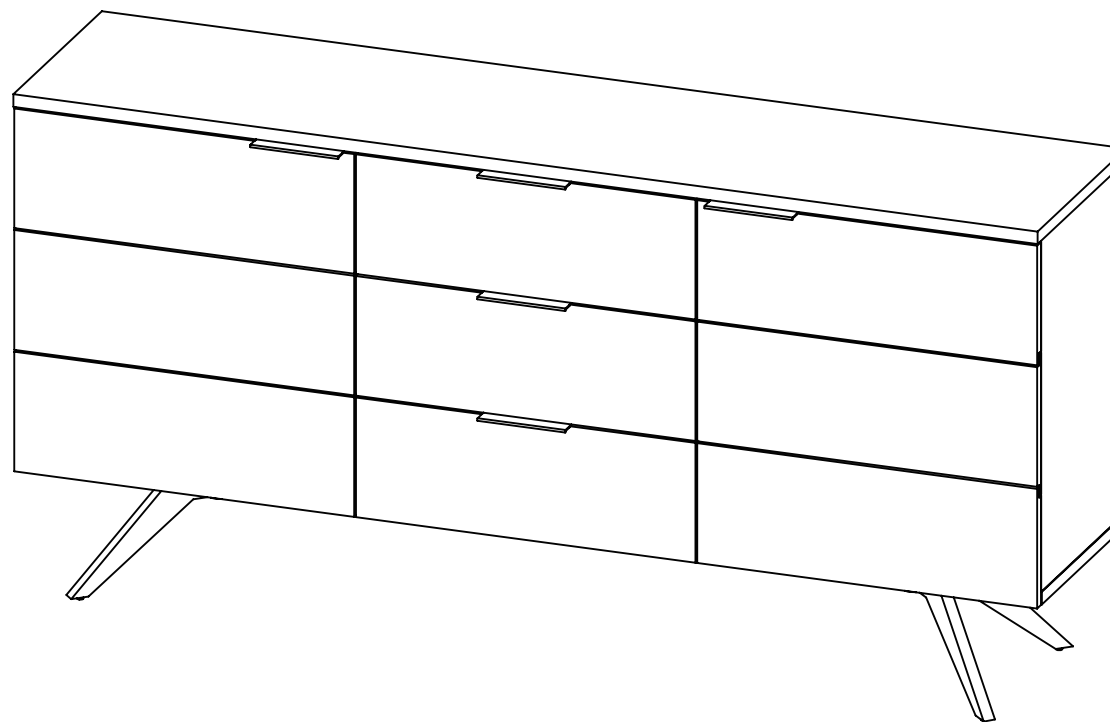





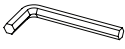



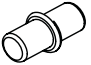

loungelovers

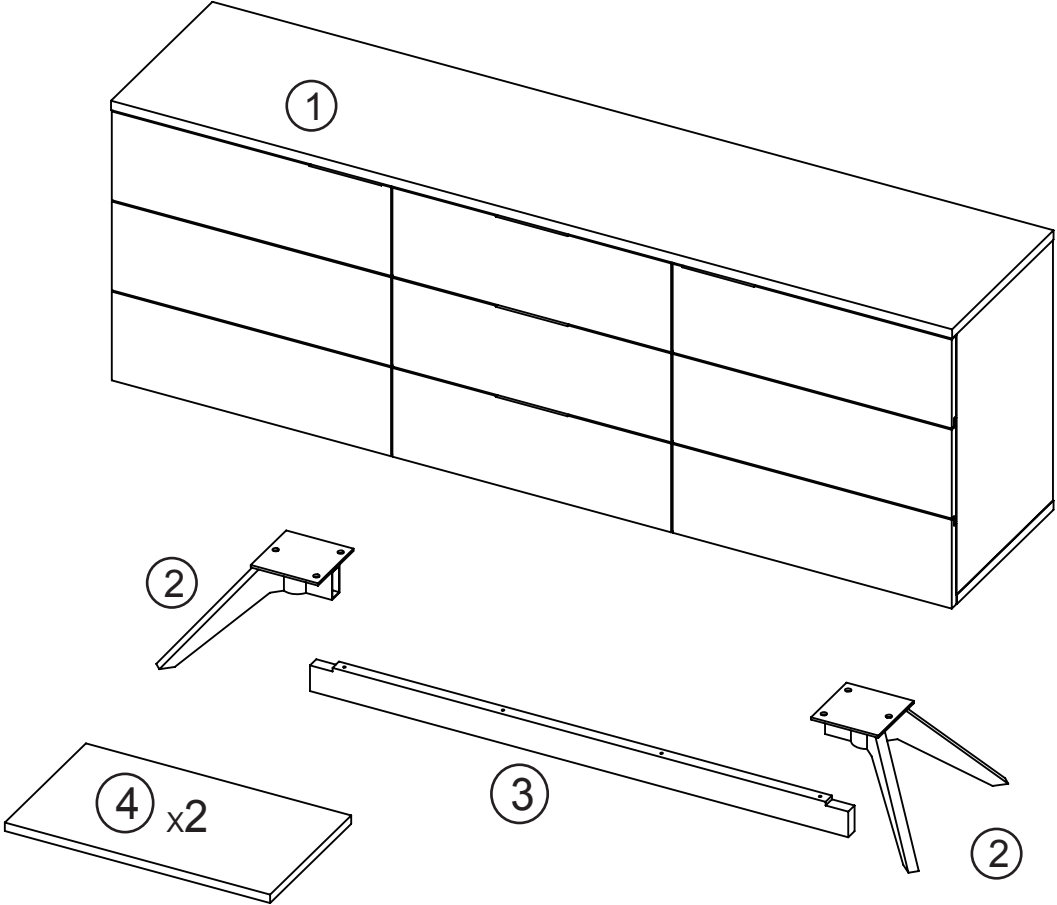
KINGSTON SIDEBOARD WITH 2-DOOR+ 3-DRAWER

Size:175 x 40 x 80 cm

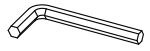


HARDWARE

A		M8 x 20mm	8
B		M8X20	8
C			8
D		M5	1
E		L150mm	5
F		Ø3.5x15mm	10
G		Ø3.5x60mm	4
H			8
J			2



1



Dx1



Ax8



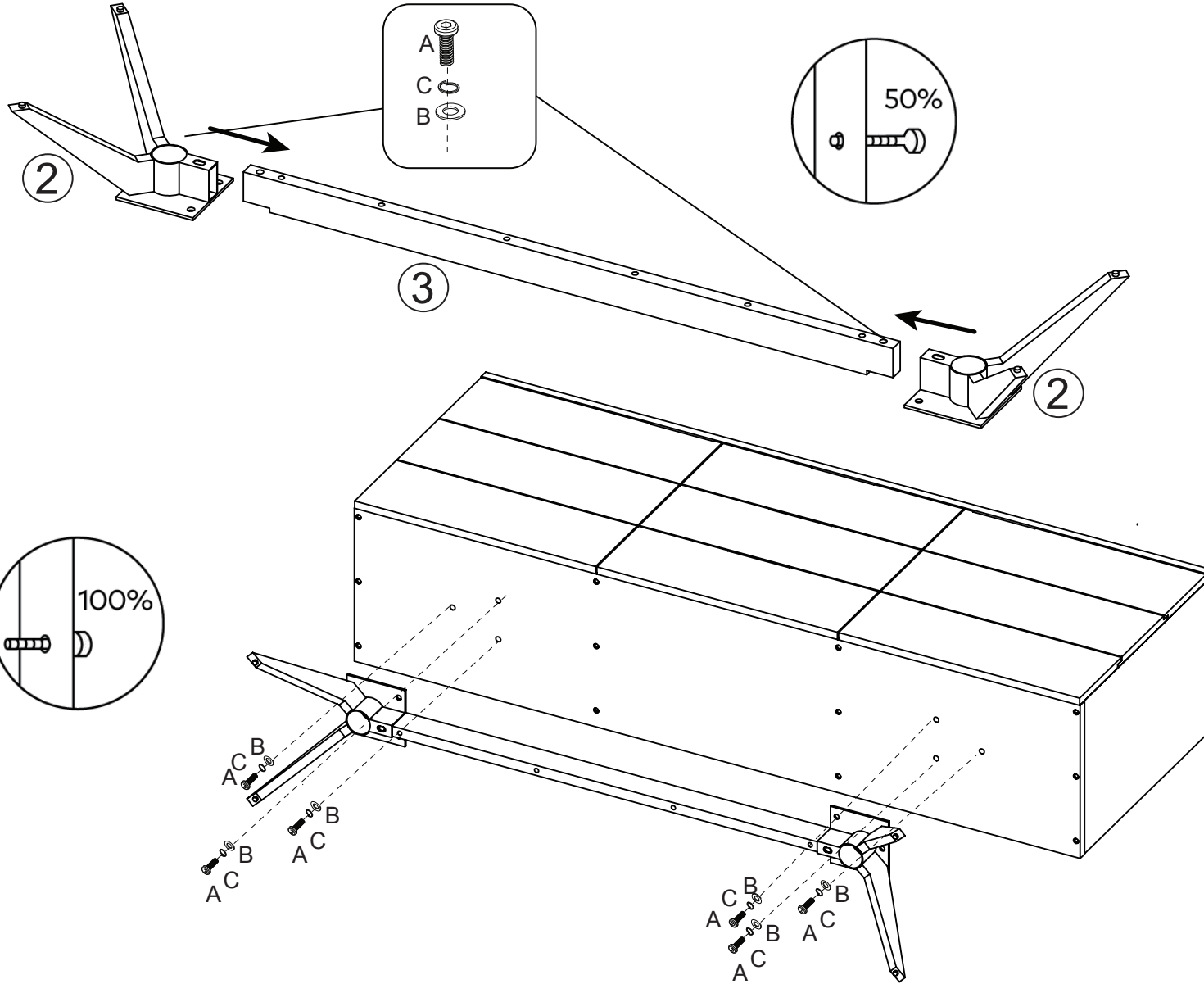
Bx8



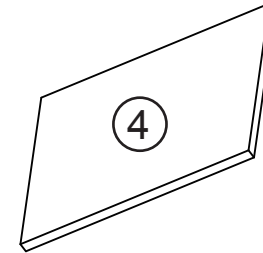
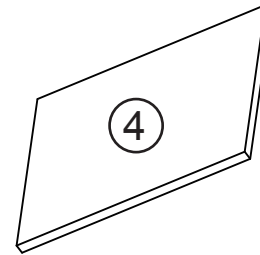
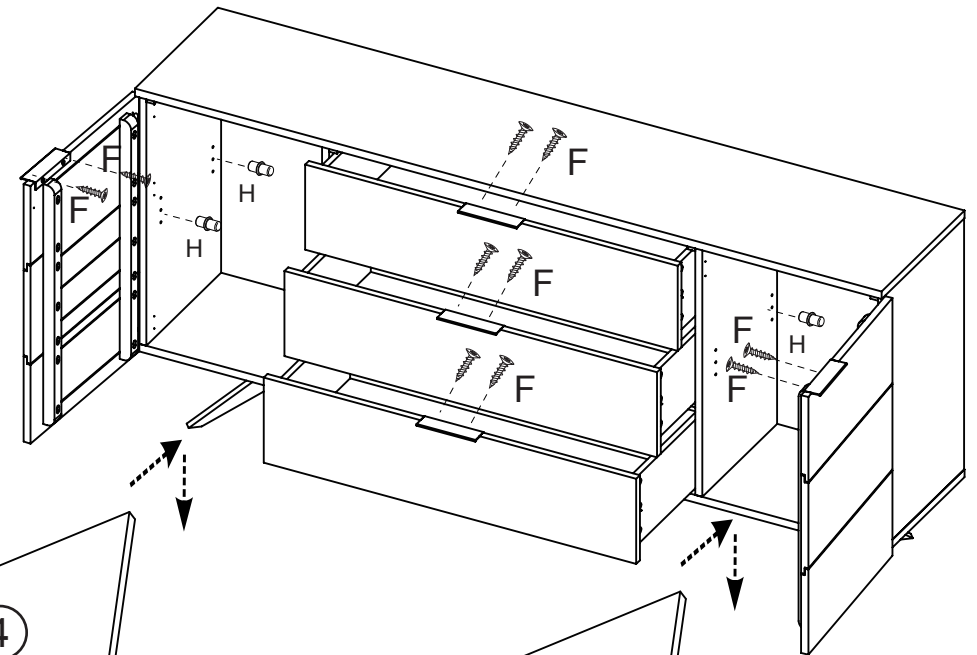
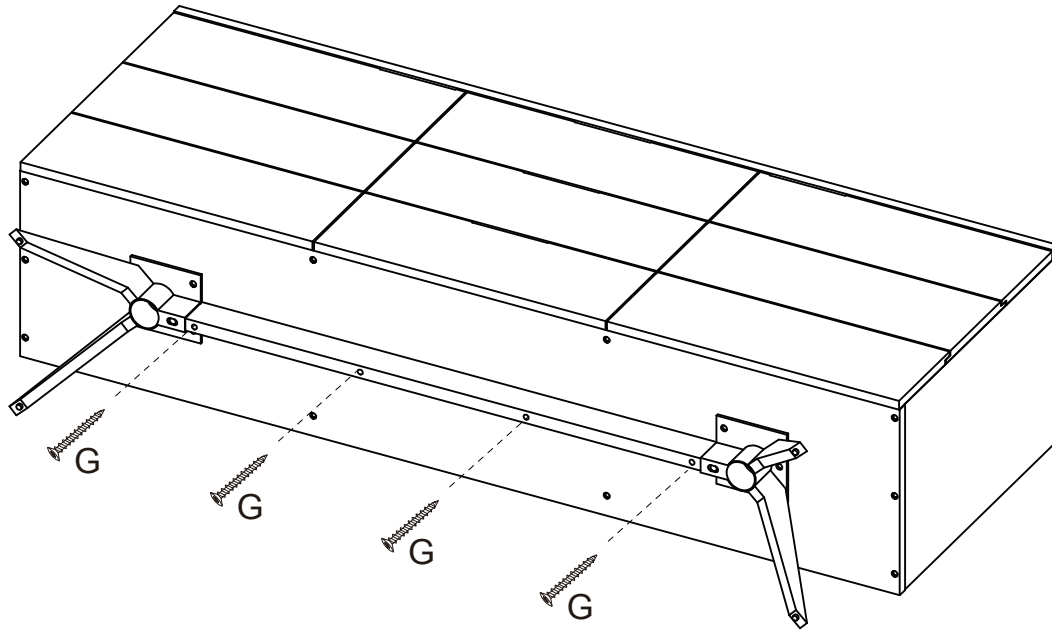
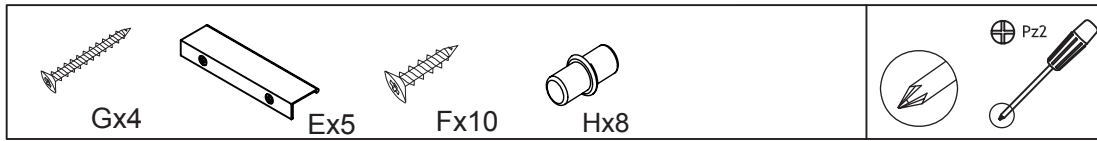
Cx8



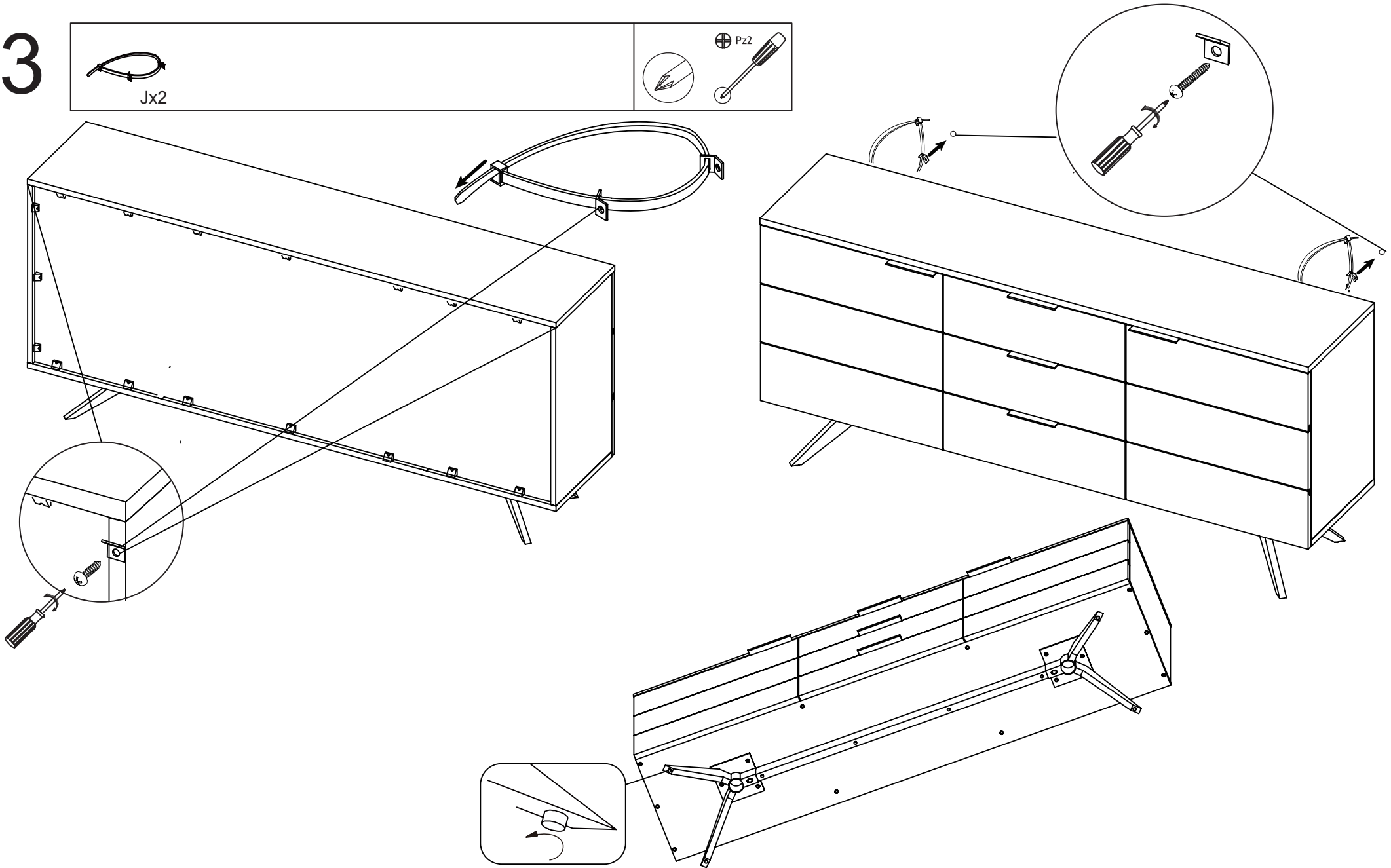
Pz2



2



3



Twist the bolt anticlockwise to adjust the level of sideboard.