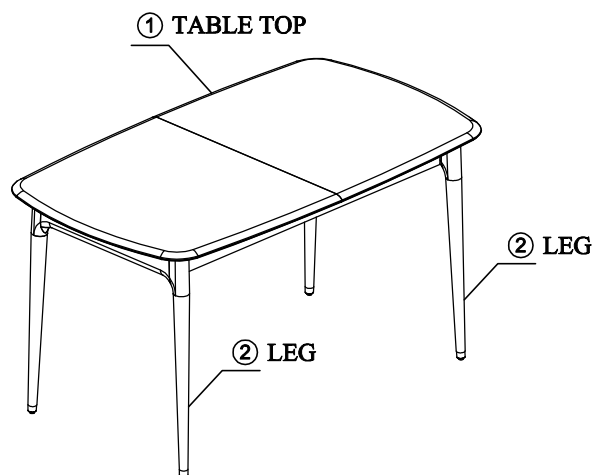
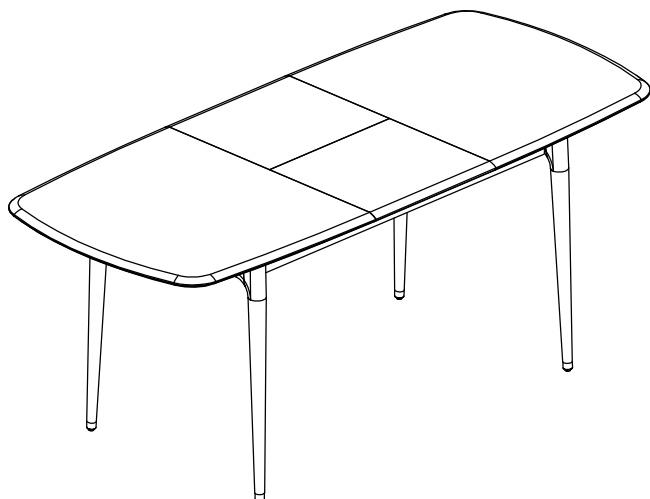






# loungelovers

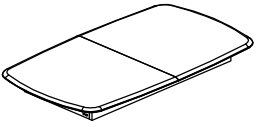
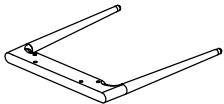
## MANHATTAN EXTENSION DINING TABLE

## INSTRUCTION SHEET 1/4

- ~ Thank you for purchasing this quality product.
- ~ Please do not discard any of the packing material until you have checked all the part for fitting.
- ~ Before you begin to assemble your new piece of furniture, please check that all part have been supplied.
- ~ It is recommended that assembly is done on soft surface like carpet to avoid any damage.



HARDWARE LIST			
NO.	DESCRIPTION		QTY.
A		ALLEN KEY M4	1 pc
LEG HARDWARE			
B		JCBC SCREW M6 x 50	8 pcs
		SPRING WASHER M6	8 pcs
		FLAT WASHER M6 x 17 x 2	8 pcs

PART LIST			
NO.	DESCRIPTION		QTY.
1		TABLE TOP	1 pc
2		LEG	2 pcs

# loungelovers

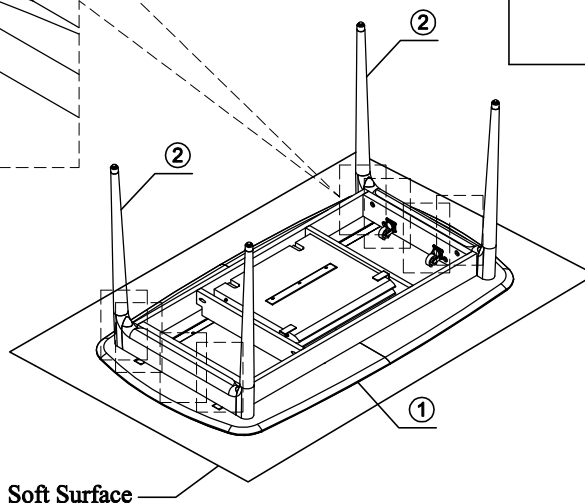
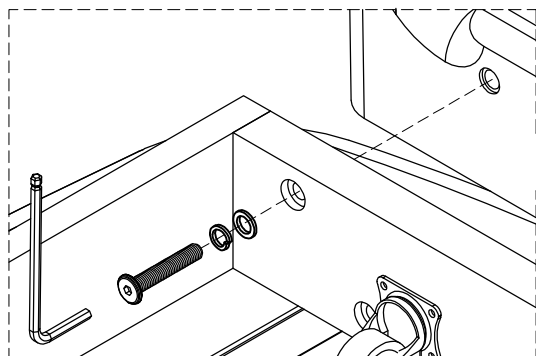
## MANHATTAN EXTENSION DINING TABLE





## INSTRUCTION SHEET 2/4

- ~ Thank you for purchasing this quality product.
- ~ Please do not discard any of the packing material until you have checked all the part for fitting.
- ~ Before you begin to assemble your new piece of furniture, please check that all part have been supplied.
- ~ It is recommended that assembly is done on soft surface like carpet to avoid any damage.

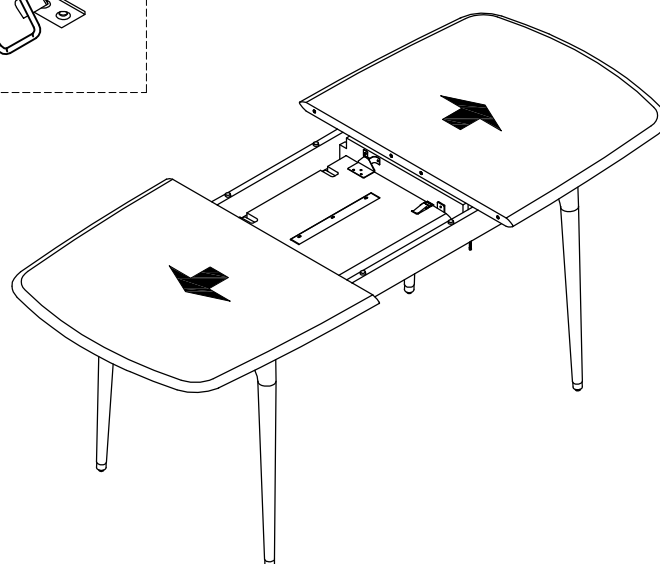
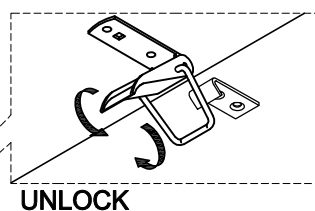
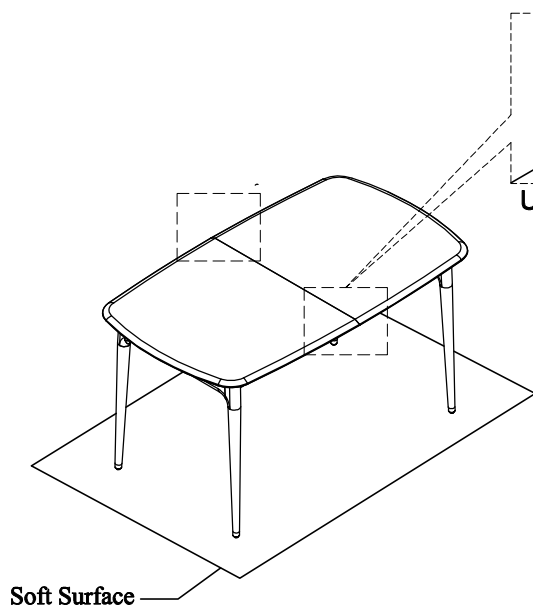
### ***STEP 1***

Assemble part (1) and (2) .



A	ALLEN KEY M4 	x 1
B	JCBC SCREW M6 x 50 	x 8
	SPRING WASHER M6 	x 8
	FLAT WASHER M6x17x2 	x 8

### ***STEP 2***



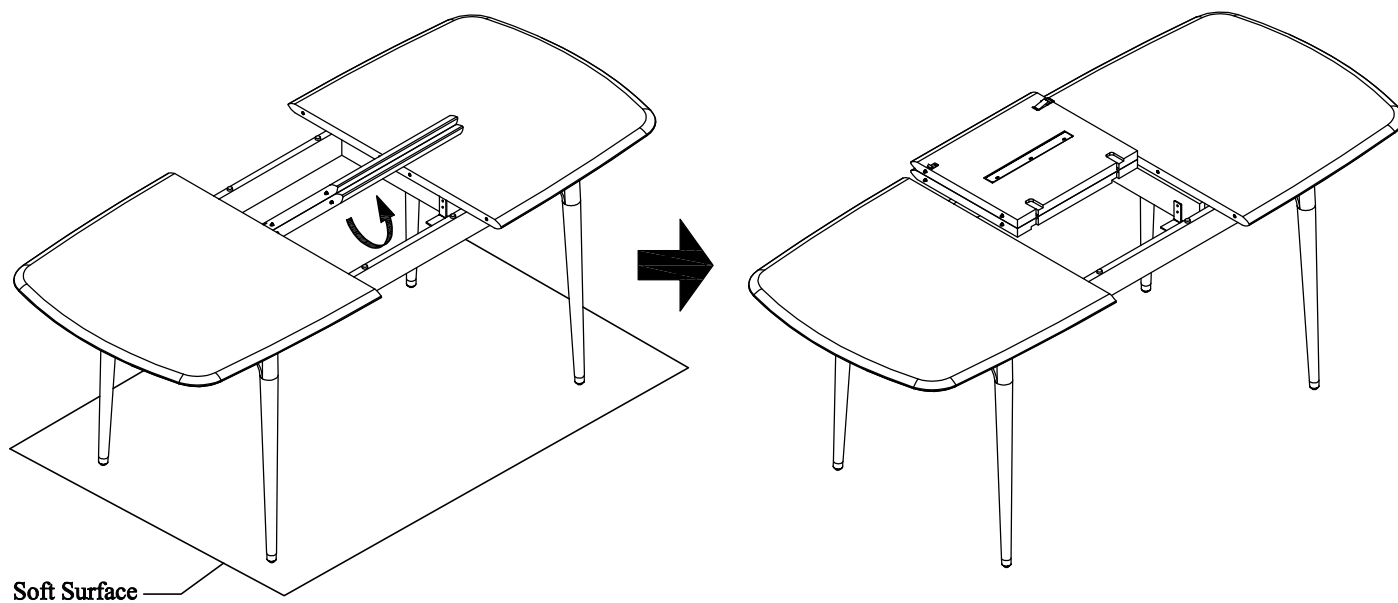
# loungelovers

## MANHATTAN EXTENSION DINING TABLE

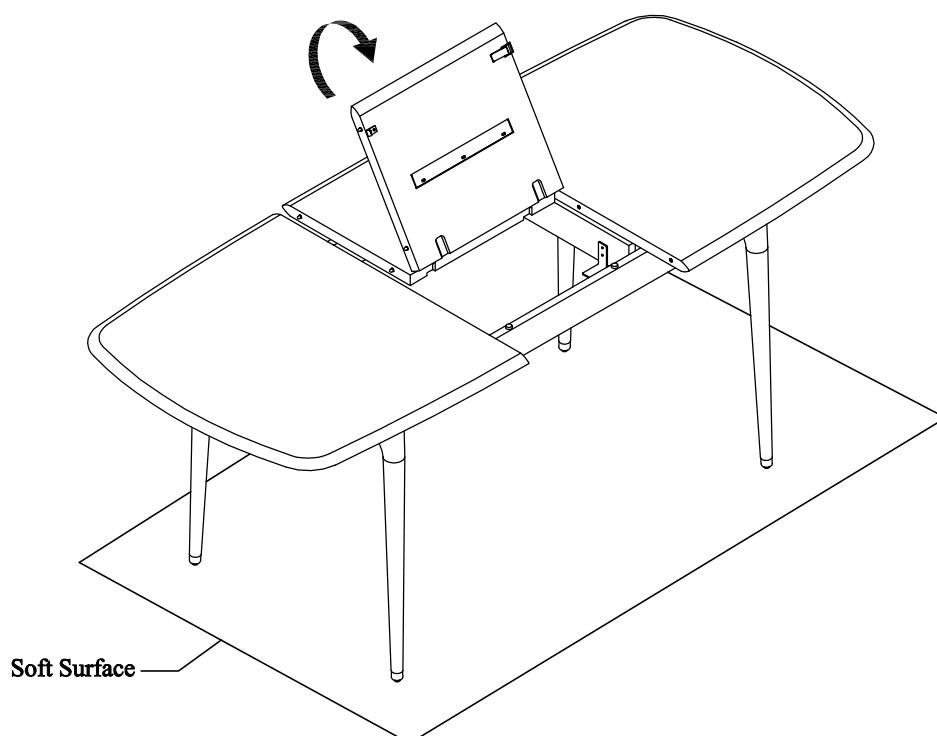
## INSTRUCTION SHEET 3/4

- ~ Thank you for purchasing this quality product.
- ~ Please do not discard any of the packing material until you have checked all the part for fitting.
- ~ Before you begin to assemble your new piece of furniture, please check that all part have been supplied.
- ~ It is recommended that assembly is done on soft surface like carpet to avoid any damage.

### ***STEP 3***



### ***STEP 4***



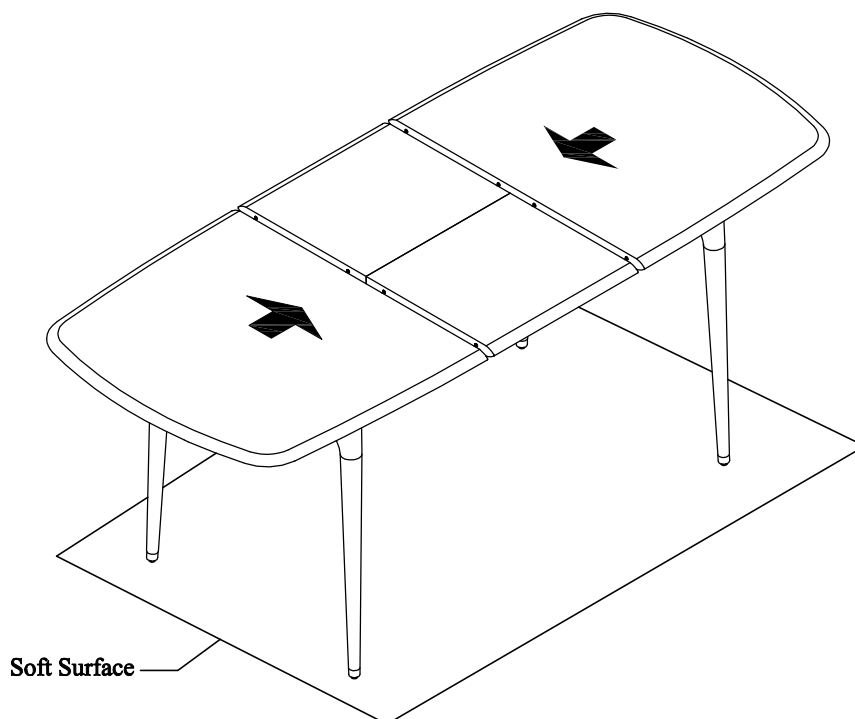
# loungelovers

## MANHATTAN EXTENSION DINING TABLE

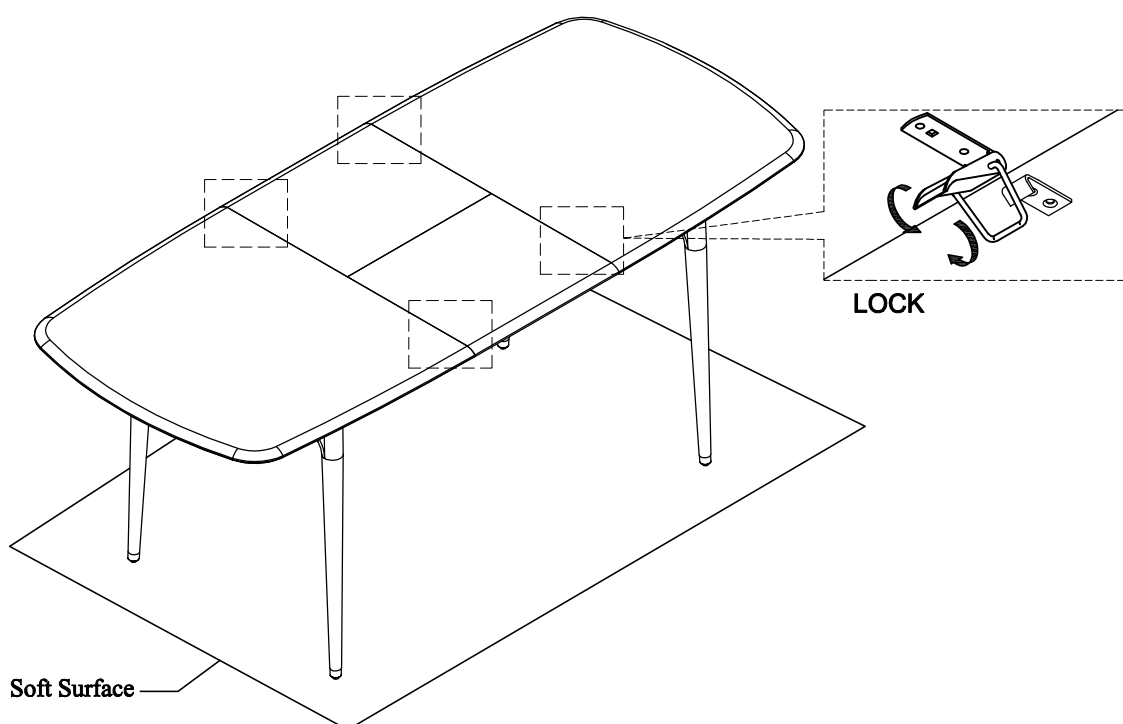
INSTRUCTION SHEET 4/4

- ~ Thank you for purchasing this quality product.
- ~ Please do not discard any of the packing material until you have checked all the part for fitting.
- ~ Before you begin to assemble your new piece of furniture, please check that all part have been supplied.
- ~ It is recommended that assembly is done on soft surface like carpet to avoid any damage.

### **STEP 5**



### **STEP 6**



MADE IN MALAYSIA