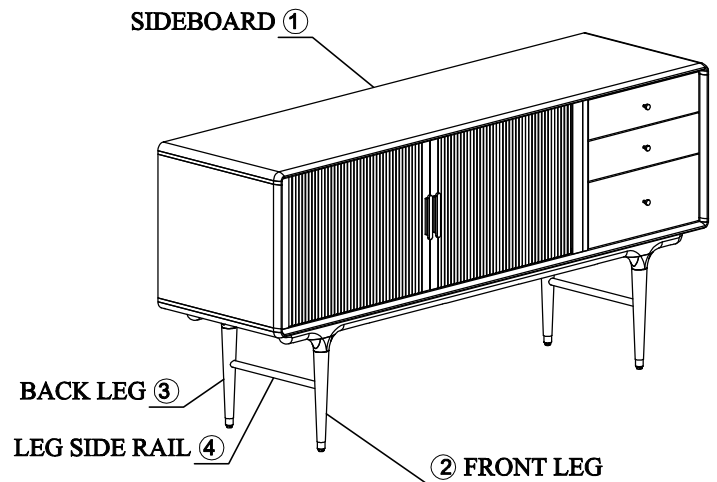
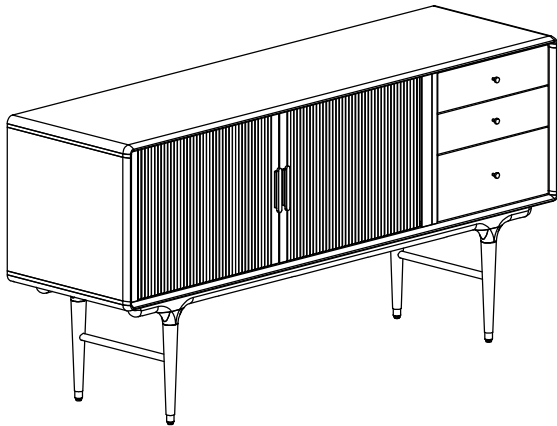


loungelovers

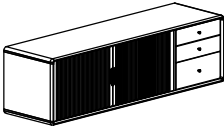
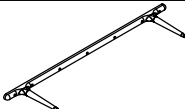
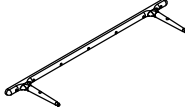
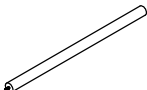
MANHATTAN SIDEBOARD

INSTRUCTION SHEET 1/4

- ~ Thank you for purchasing this quality product.
- ~ Please do not discard any of the packing material until you have checked all the part for fitting.
- ~ Before you begin to assemble your new piece of furniture, please check that all part have been supplied.
- ~ It is recommended that assembly is done on soft surface like carpet to avoid any damage.



HARDWARE LIST			
NO.	DESCRIPTION		QTY.
A		ALLEN KEY M4	1 pc
LEG HARDWARE			
B		JCBC SCREW M6×40	10 pcs
		SPRING WASHER M6	10 pcs
		FLAT WASHER M6×12	10 pcs
C		TH MS M4×22	2 pcs
D		WOOD BUTTON Ø11×8.5	2 pcs
ANTI TIPPING KIT			
F		FURNITURE TIPPING RESTRAINT	1 set

PARTS LIST			
NO.	DESCRIPTION		QTY.
1		SIDEBOARD	1 pc
2		FRONT LEG	1 pc
3		BACK LEG	1 pc
4		LEG SIDE RAIL	2 pcs

TOOL REQUIRED (NOT PROVIDED)



PHILLIPS SCREW DRIVER

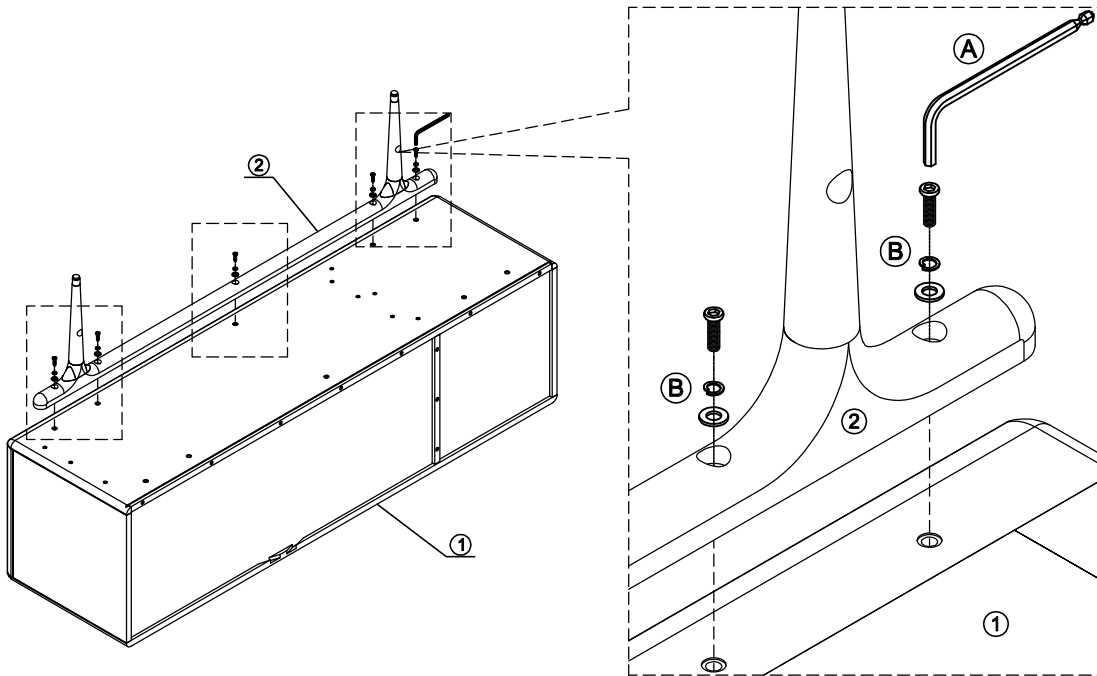
loungelovers





MANHATTAN SIDEBORD

INSTRUCTION SHEET 2/4

STEP 1

Assemble part (1) and (2).

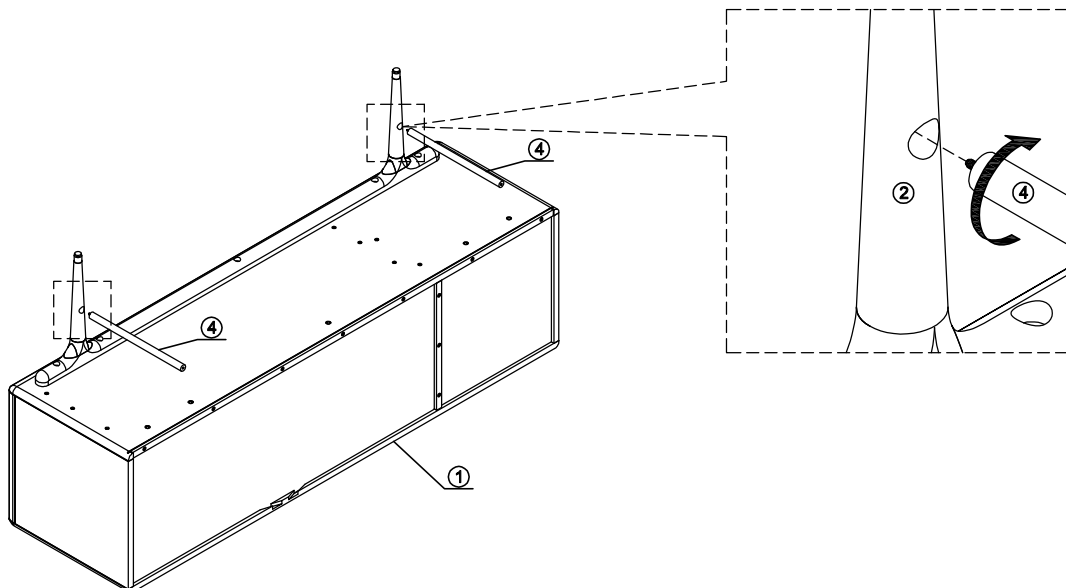


A	ALLEN KEY M4 	x1
B	JCBC SCREW M6x40 	x5
	SPRING WASHER M6 	x5
	FLAT WASHER M6x12 	x5

Kindly ensure all screw are inserted into the correct position before tightening.

STEP 2

Assemble part (4).







loungelovers

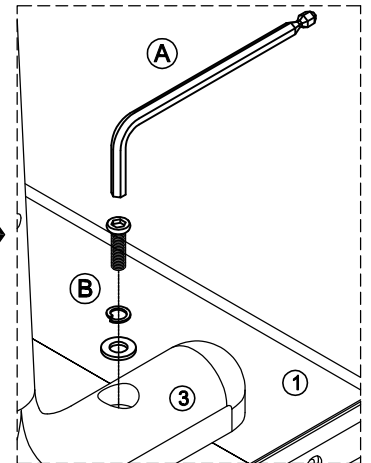
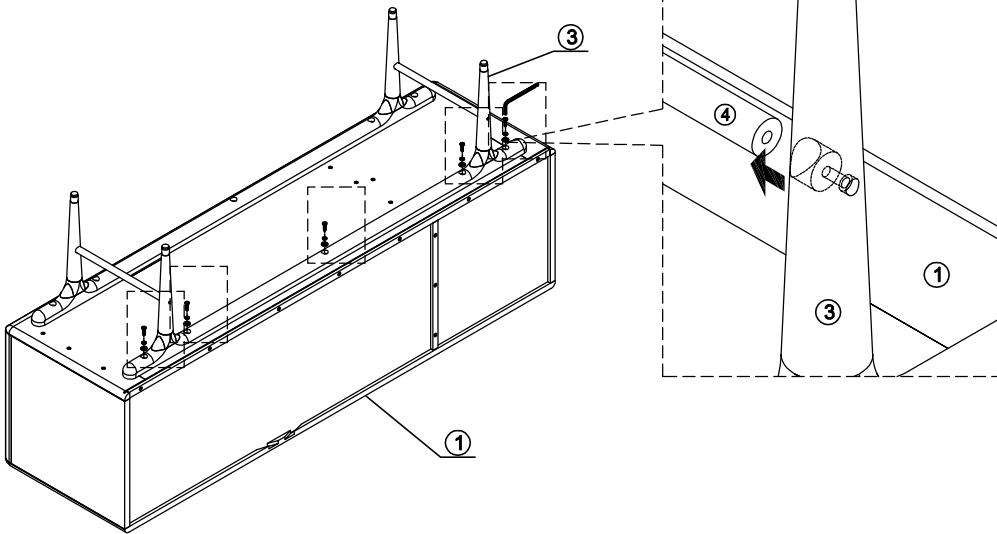
MANHATTAN SIDEBORD

INSTRUCTION SHEET 3/4

STEP 3



Assemble part (3).

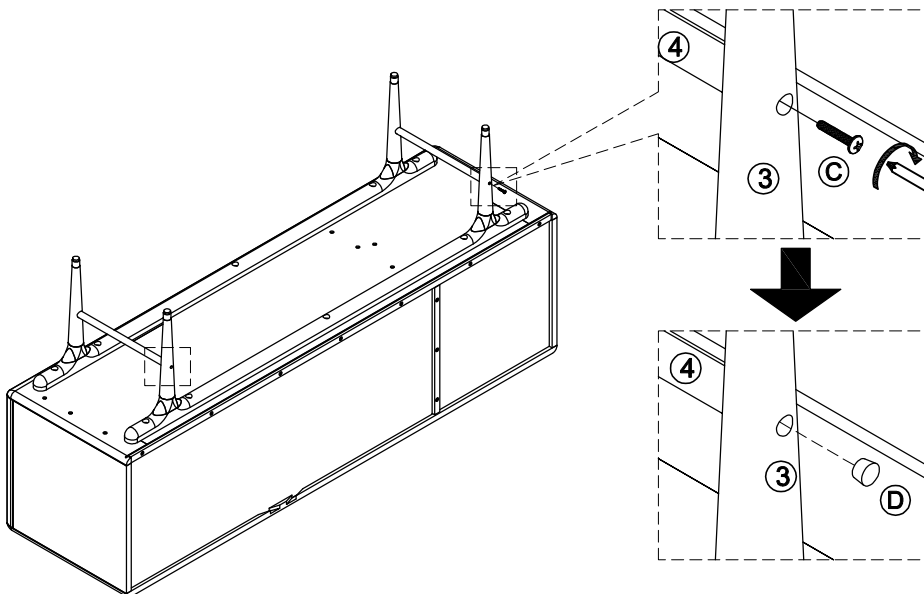
A	ALLEN KEY M4 	x1
B	JCBC SCREW M6x40 	x5
	SPRING WASHER M6 	x5
	FLAT WASHER M6x12 	x5



Kindly ensure all screw are inserted into the correct position before tightening.

STEP 4

C	TH MS M4x22 	x2
D	WOOD BUTTON Ø11x8.5 	x2



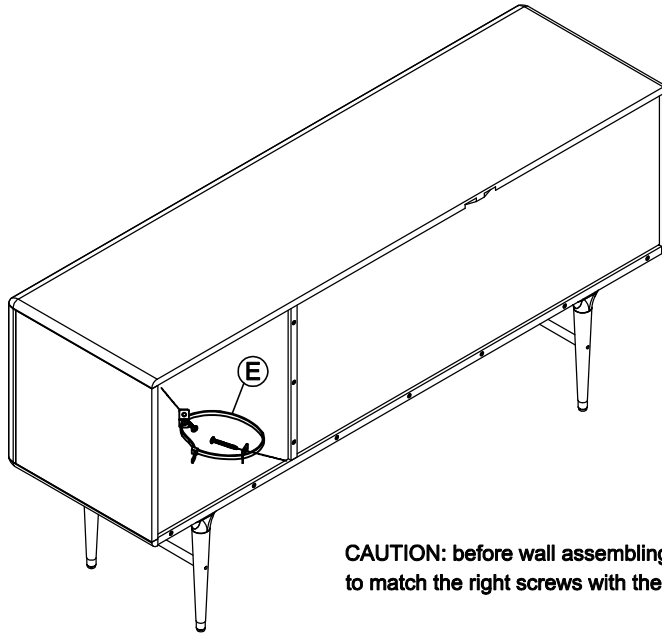
loungelovers

MANHATTAN SIDEBOARD

INSTRUCTION SHEET 4/4

STEP 5

E	FURNITURE TIPPING RESTRAINT x1 
---	---



CAUTION: before wall assembling, be sure to match the right screws with the wall type.