

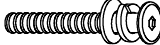




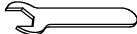
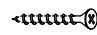
# ASSEMBLY INSTRUCTIONS

# lounge lovers

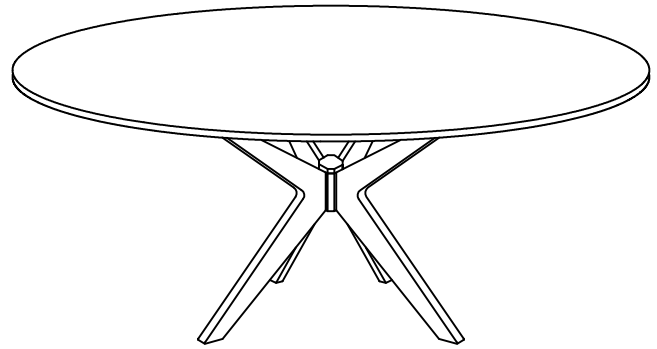
## MODEL : STARBURST DINING TABLE

**IMPORTANT NOTE :**

- \* PLACE ALL WOODEN PARTS ON A CLEAN AND SMOOTH SURFACE SUCH AD A RUG OR CARPET TO AVOID THE PARTS FROM BEING SCRATCHED.
- \* BEFORE YOU BEGIN, KINDLY FOLLOW THE ASSEMBLY INSTRUCTIONS STEP BY STEP.

| HARDWARE LIST |   |   |      |
|---------------|---|---|------|
| A             | JCBC M6 x 70mm + S/W M6 + F/W M6 x 13mm |  | 4PCS |
| B             | ALLEN KEY M4                            |  | 1PC  |
| C             | HEX NUT 5/16"                           |  | 8PCS |
| D             | SPRING WASHER 5/16"                     |  | 8PCS |
| E             | FLAT WASHER 5/16"                       |  | 8PCS |
| F             | SPANNER 12.8                            |  | 1PC  |
| G             | FH SCREW #8 x 32mm                      |  | 4PCS |

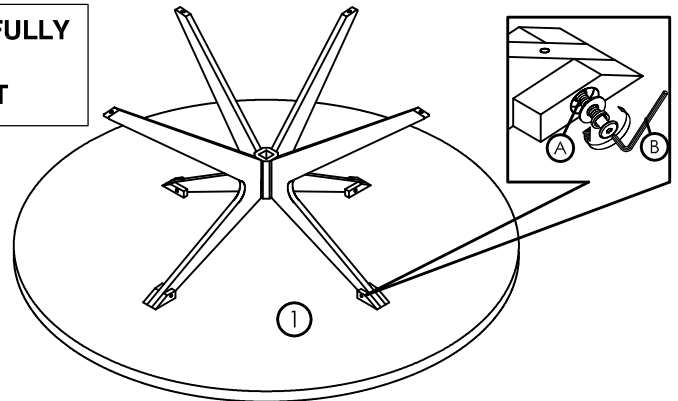
| PART LIST |                      |      |
|-----------|----------------------|------|
| 1         | TABLE TOP            | 1PC  |
| 2         | TABLE LEG            | 4PCS |
| 3         | CENTER SUPPORT BLOCK | 1PC  |
| 4         | CENTER BLOCK COVER   | 1PC  |



COMPLETED TABLE ASSEMBLY.

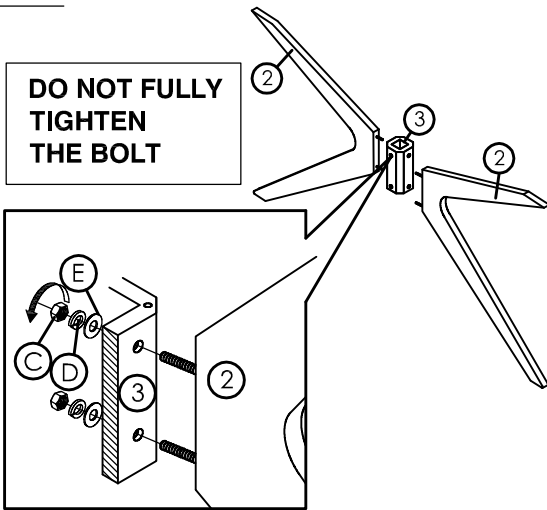
### STEP 3

**DO NOT FULLY TIGHTEN THE BOLT**



### STEP 1

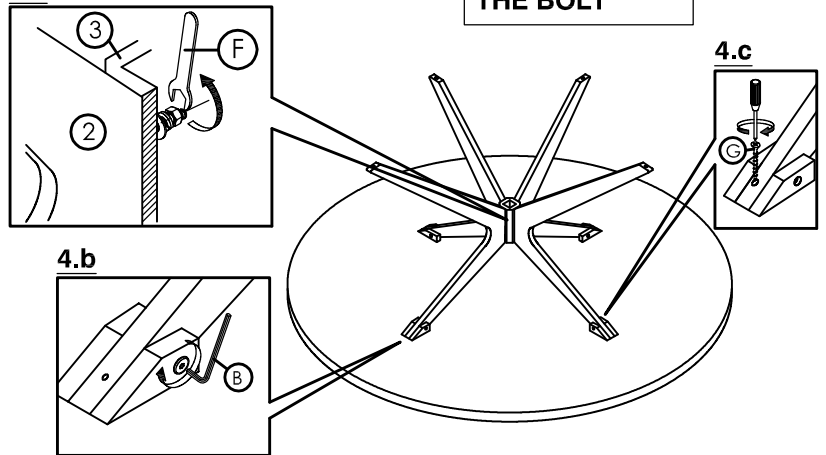
**DO NOT FULLY TIGHTEN THE BOLT**



### STEP 4

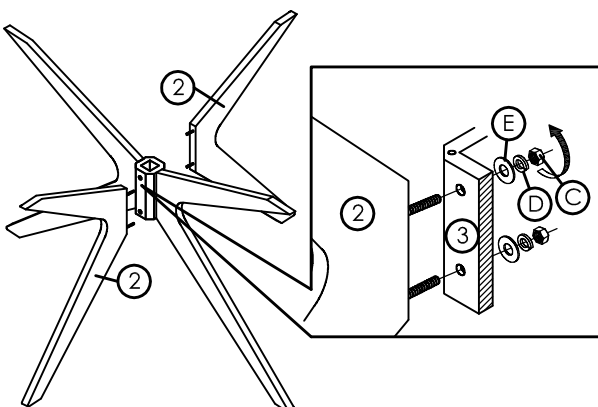
4.a

**FULLY TIGHTEN THE BOLT**



### STEP 2

**DO NOT FULLY TIGHTEN THE BOLT**



### STEP 5

Turn clockwise or anti-clockwise to adjust leg leveler.

