






BRONTE COFFEE TABLE

L1000 x W1000 x H380 mm

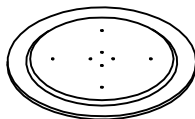
ASSEMBLY INSTRUCTIONS

HARDWARE FOR WOODEN

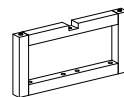
No.	Hardware	Q.ty
1	Bolt M8x35 	1
2	Bolt M8x70 	8
3	Lock Washer Ø8xØ12 	9
4	Washer Ø8xØ16 	9
5	Key K4 	1



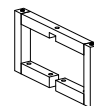
20 MIN



A x 1

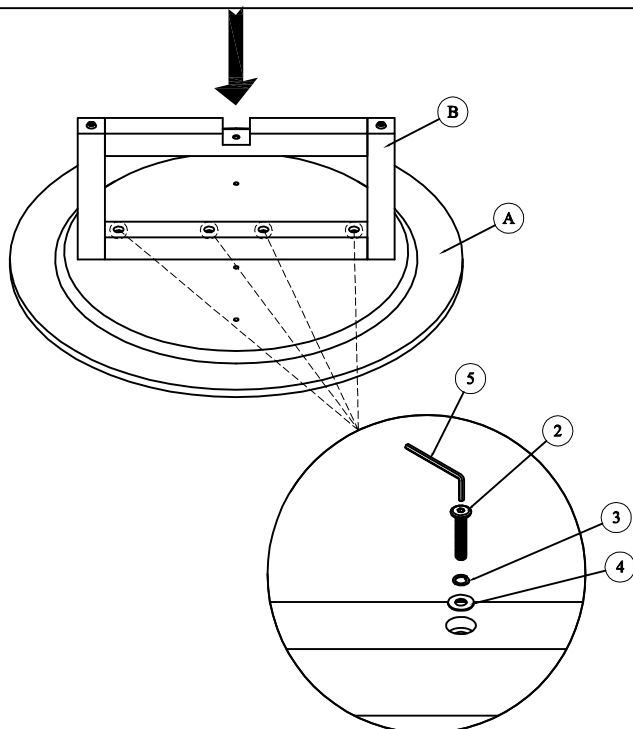


B x 1

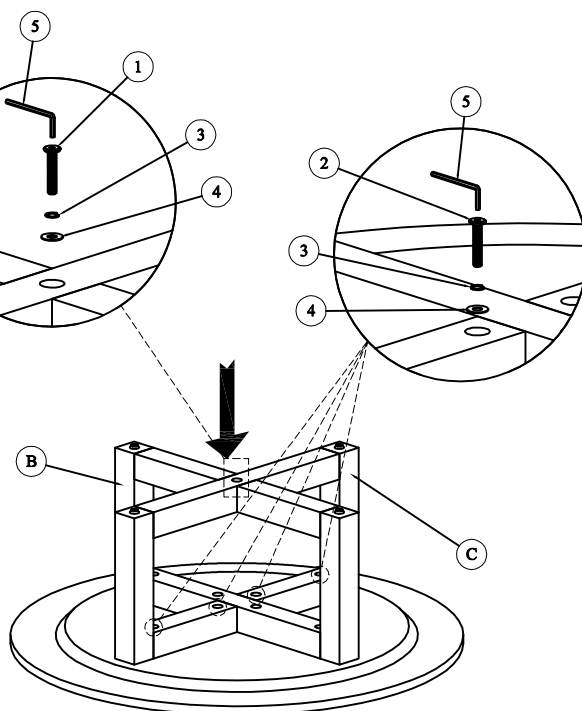


C x 1

STEP 1



STEP 2



FINISHED

