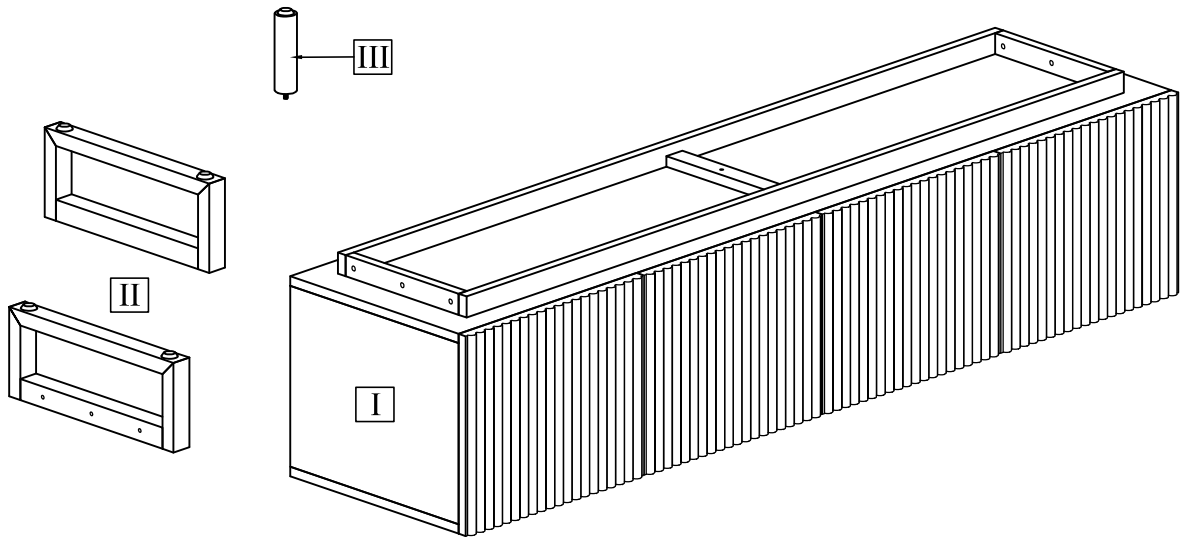
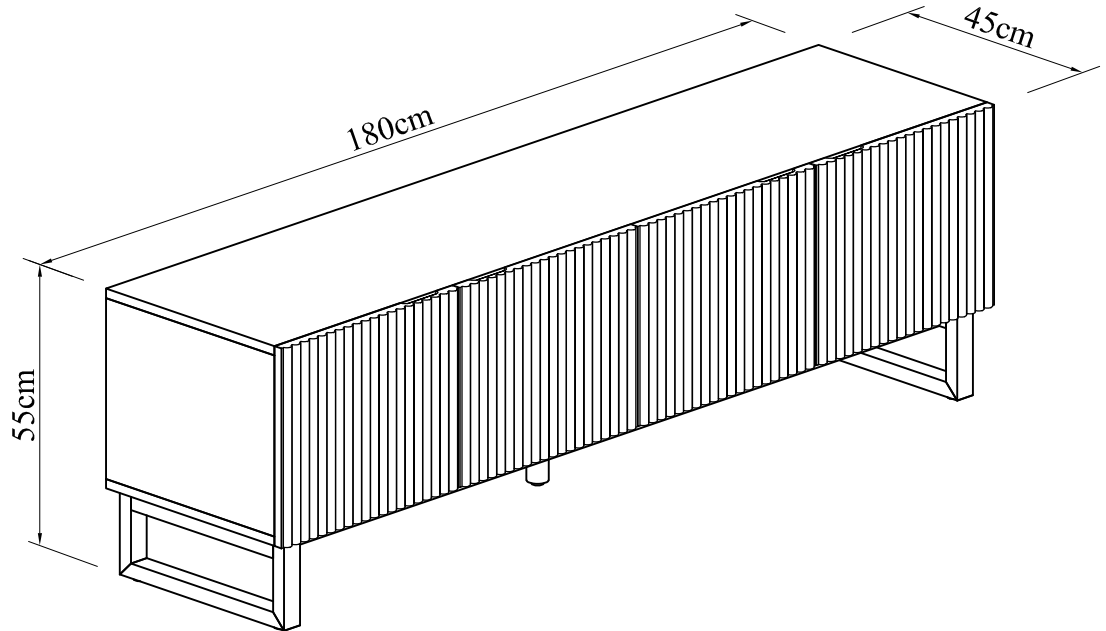
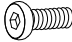





loungelovers

GRAZE TV UNIT



- | | | |
|------------------------|--|-----|
| (A) Bolt M8x40 |  | x 6 |
| (B) Flat Washer M8/M19 |  | x 6 |
| (C) Spring Washer M8 |  | x 6 |
| (D) Allen Key M4 |  | x 1 |

loungelovers

GRAZE TV UNIT

