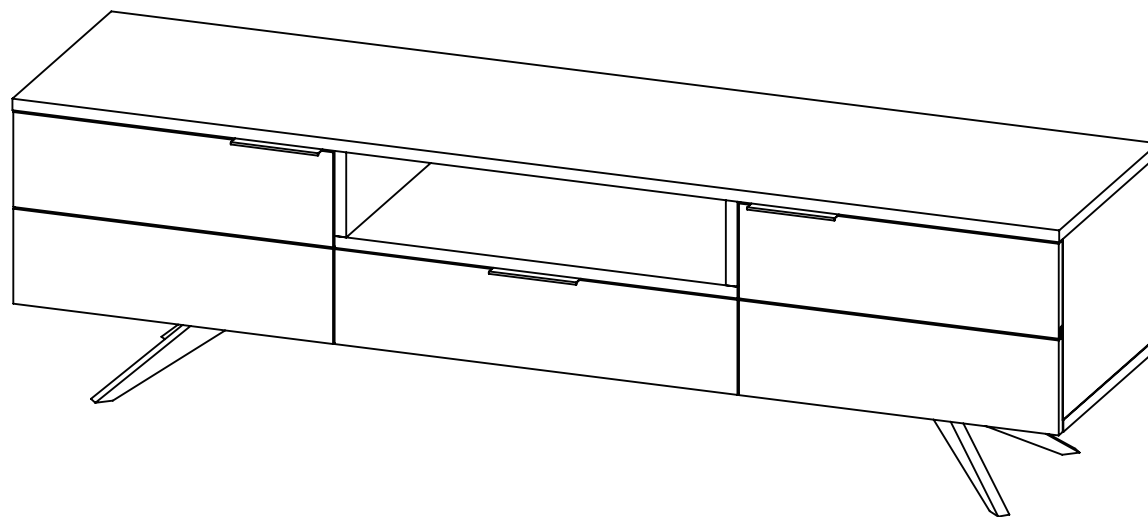





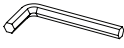


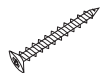
loungelovers

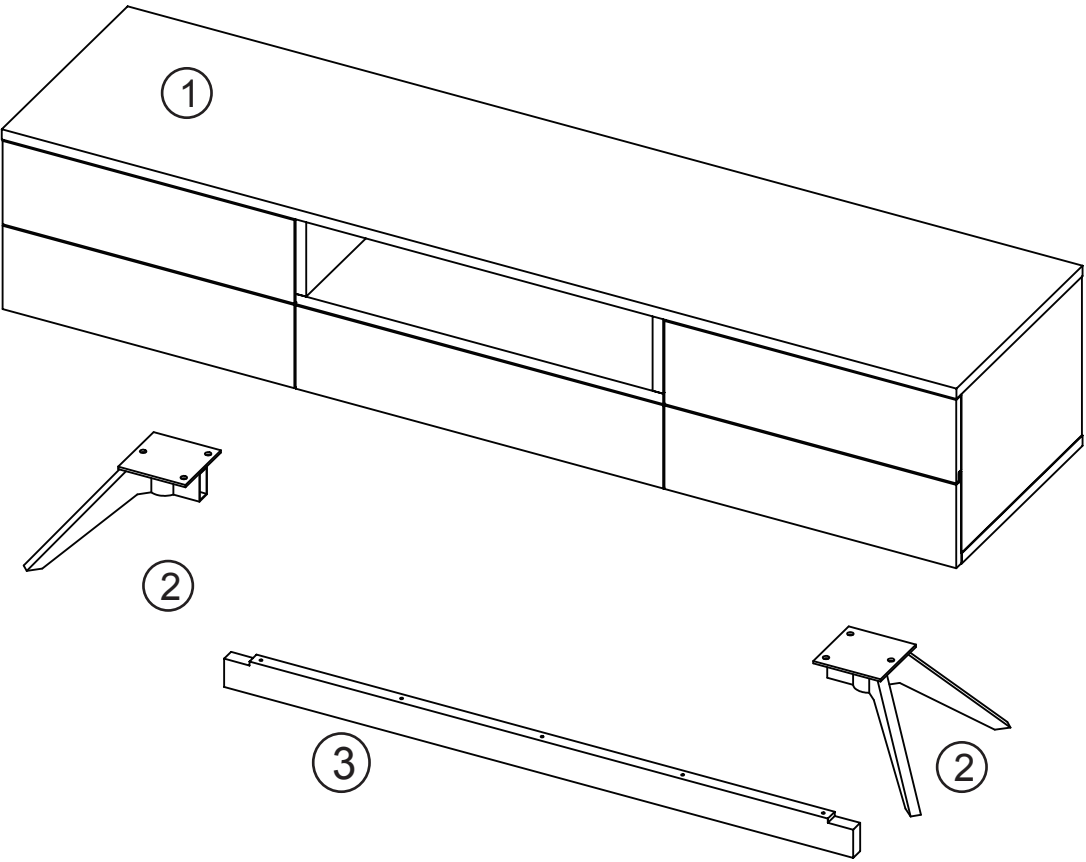
KINGSTON TV STAND WITH 2-DOOR+1-DRAWER

Size: 180 x 45 x 52 cm

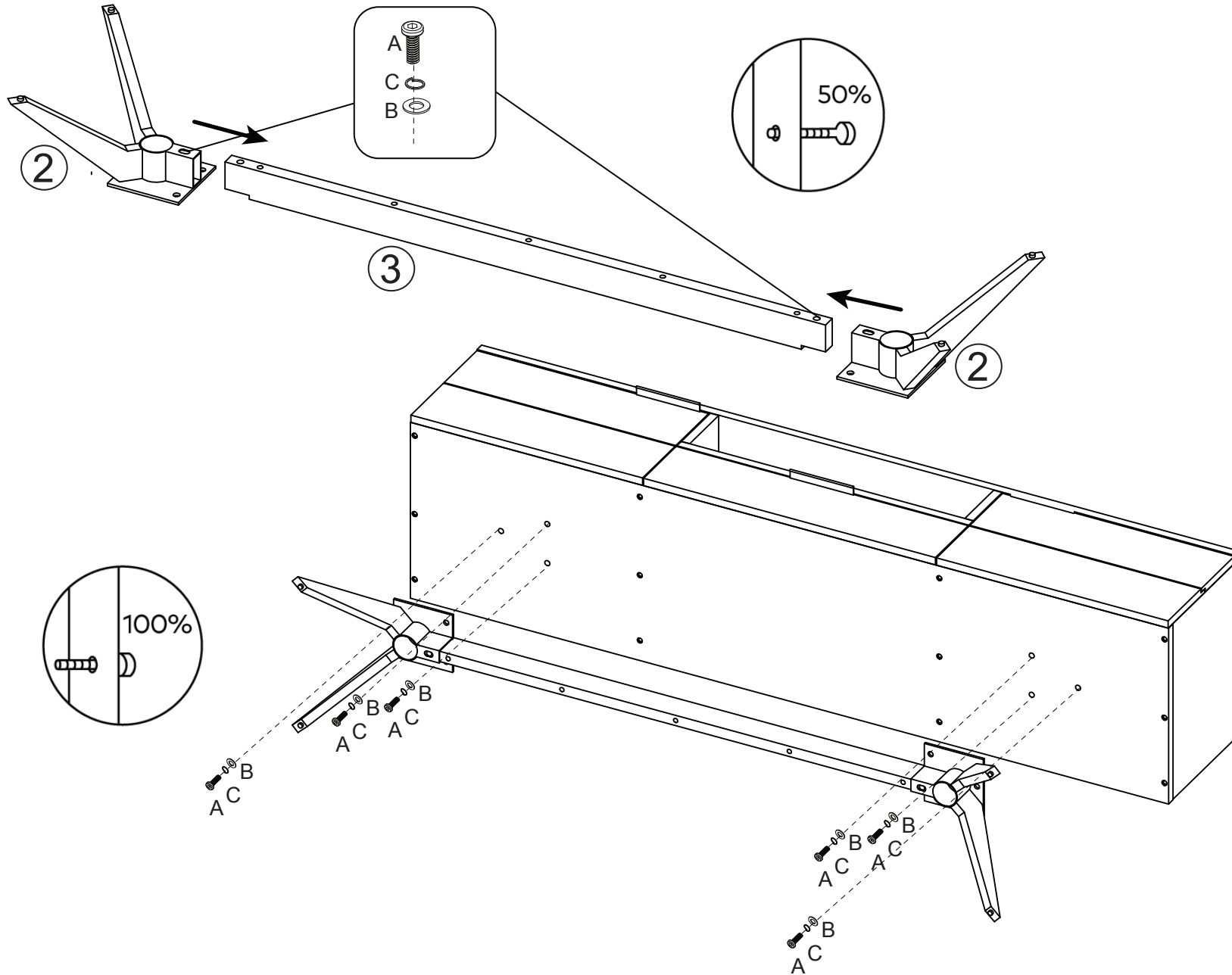
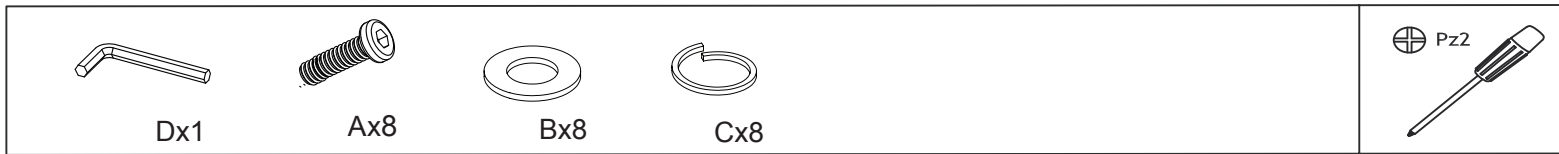


HARDWARE

A		M8 x 20mm	8
B		M8X20	8
C			8
D		M5	1
E		L150mm	3
F		Ø3.5x15mm	6
G		Ø3.5x60mm	5

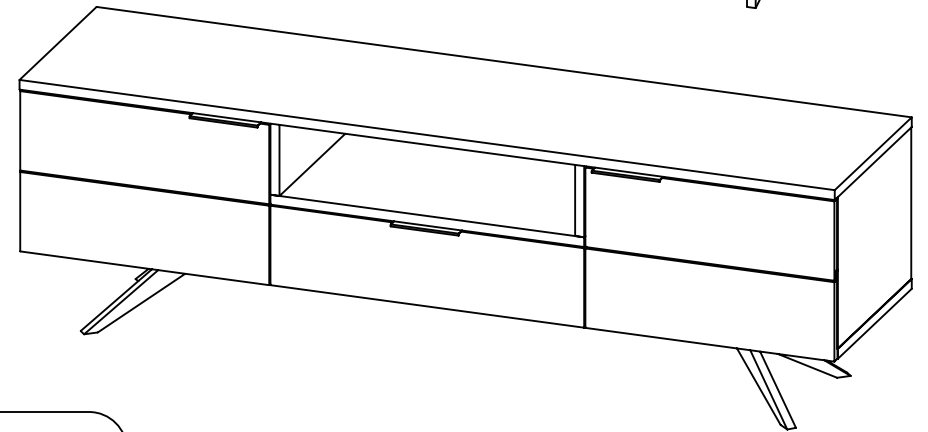
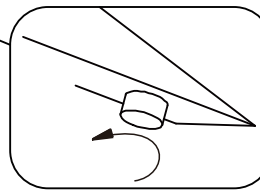
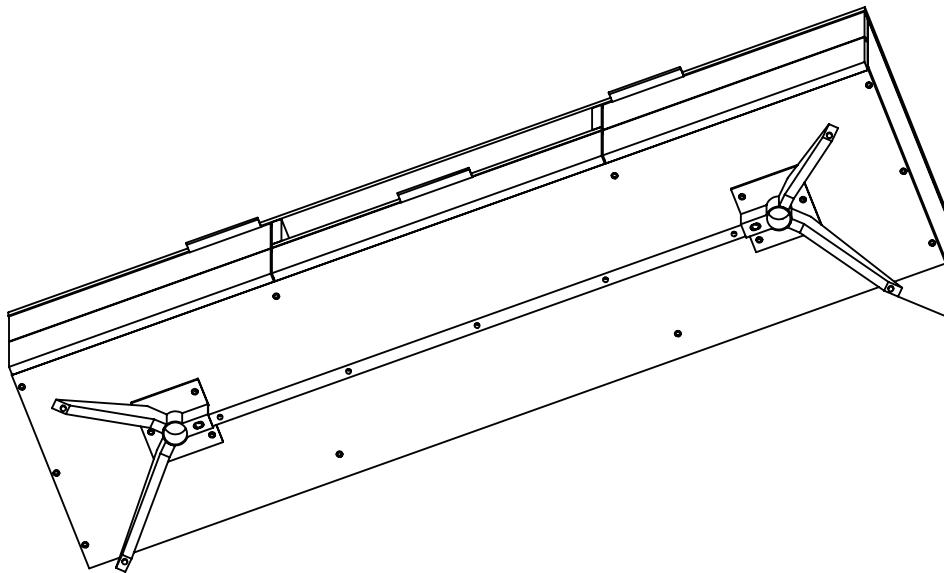
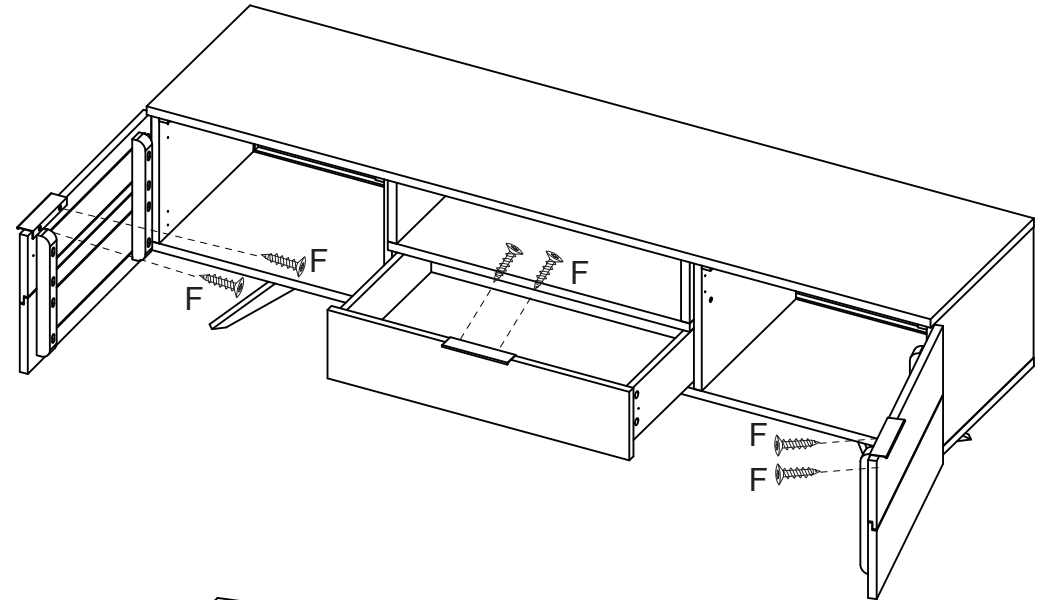
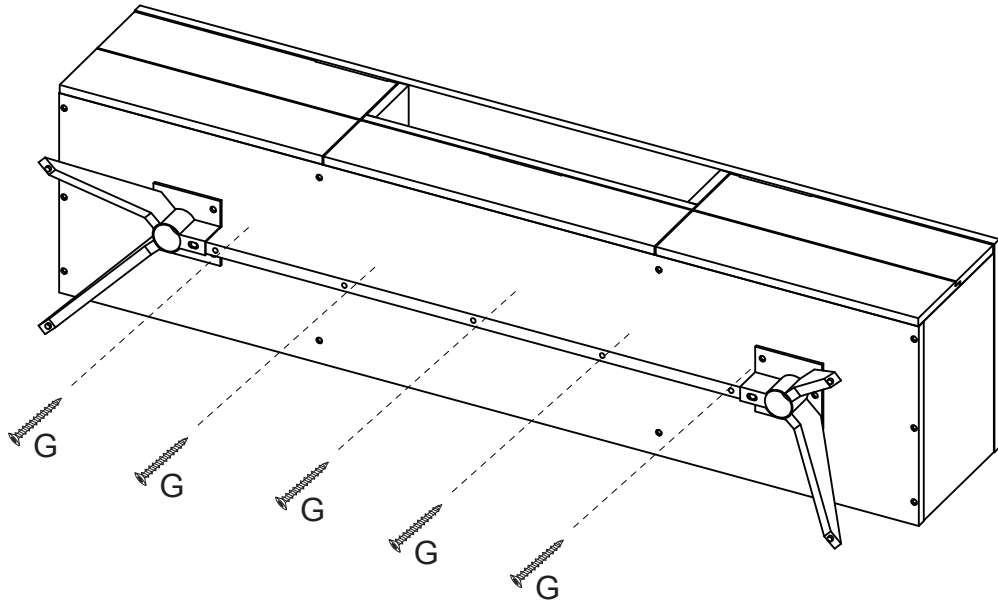


1



3-4

2



Twist the bolt anticlockwise to adjust the level of TV-stand.