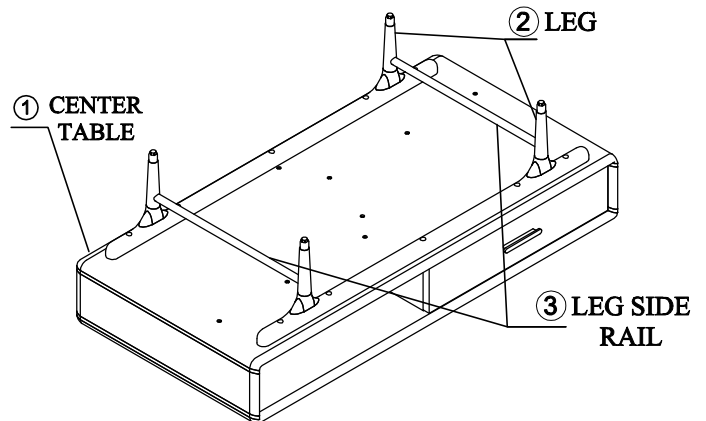
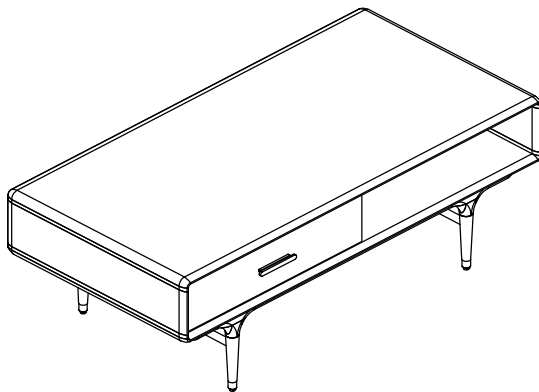


# loungelovers

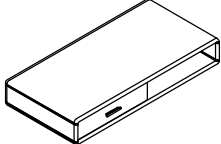
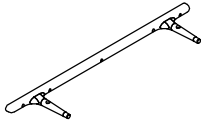
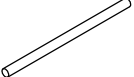
## MANHATTAN COFFEE TABLE

## INSTRUCTION SHEET 1/3

- ~ Thank you for purchasing this quality product.
- ~ Please do not discard any of the packing material until you have checked all the part for fitting.
- ~ Before you begin to assemble your new piece of furniture, please check that all part have been supplied.
- ~ It is recommended that assembly is done on soft surface like carpet to avoid any damage.



HARDWARE LIST			
NO.		DESCRIPTION	QTY.
A		ALLEN KEY M4	1 pc
LEG HARDWARE			
B		JCBC SCREW M6×40	10 pcs
		SPRING WASHER M6	10 pcs
		FLAT WASHER M6×12	10 pcs

PARTS LIST			
NO.		DESCRIPTION	QTY
1		CENTER TABLE	1 pc
2		LEG	2 pcs
3		LEG SIDE RAIL	2 pcs

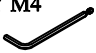



# loungelovers

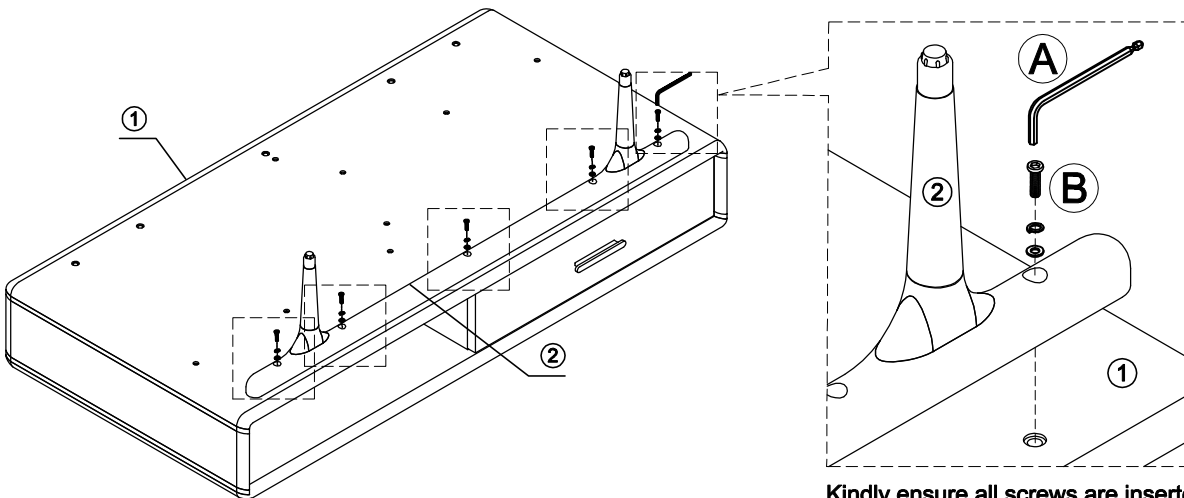
MANHATTAN COFFEE TABLE

INSTRUCTION SHEET 2/3

## STEP 1

Assemble part (1) and (2).

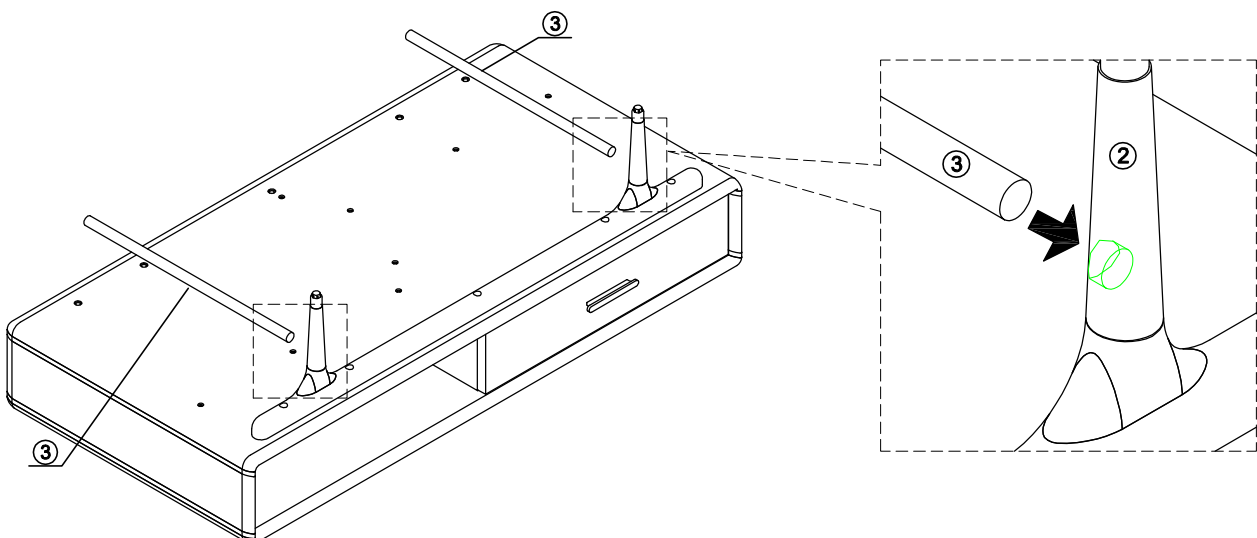
A	ALLEN KEY M4 	x 1
B	JCBC SCREW M6x40 	x 5
	SPRING WASHER M6 	x 5
	FLAT WASHER M6x12 	x 5



Kindly ensure all screws are inserted into the correct position before tightening.

## STEP 2

Assemble part (3).



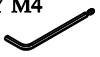



MADE IN MALAYSIA

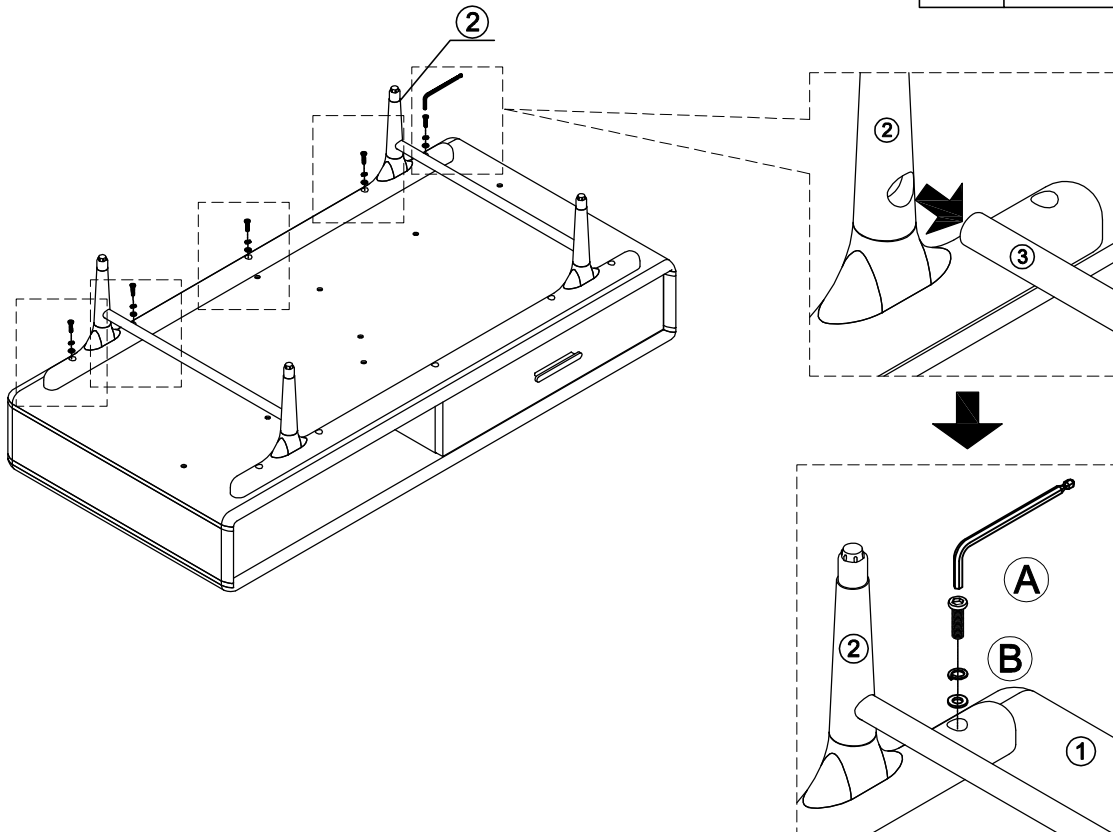
# loungelovers

MANHATTAN COFFEE TABLE

INSTRUCTION SHEET 3/3

**STEP 3**

A	ALLEN KEY M4 	x 1
B	JCBC SCREW M6x40 	x 5
	SPRING WASHER M6 	x 5
	FLAT WASHER M6x12 	x 5



Kindly ensure all screws are inserted into the correct position before tightening.