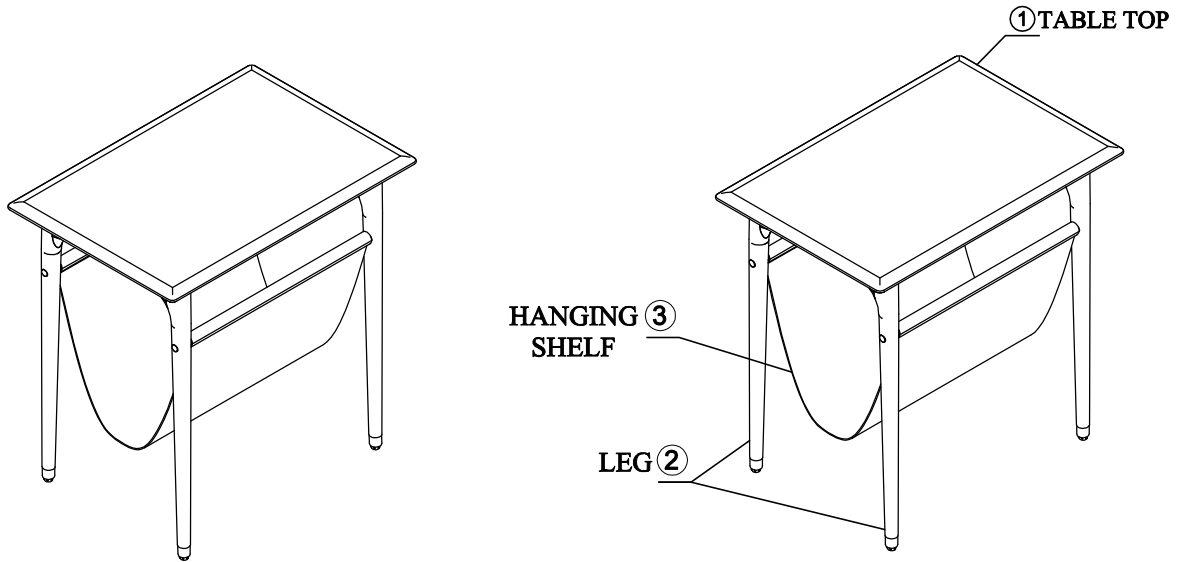









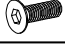


loungelovers

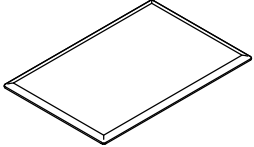
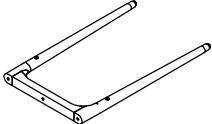
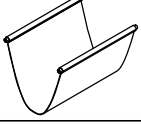
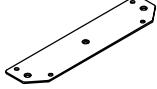
MANHATTAN SIDE TABLE (MAGAZINE HOLDER)

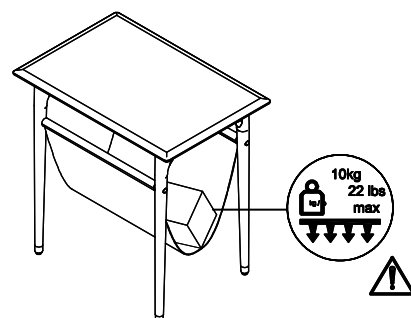
INSTRUCTION SHEET 1/4

- ~ Thank you for purchasing this quality product.
- ~ Please do not discard any of the packing material until you have checked all the part for fitting.
- ~ Before you begin to assemble your new piece of furniture, please check that all part have been supplied.
- ~ It is recommended that assembly is done on soft surface like carpet to avoid any damage.



HARDWARE LIST			
NO.	DESCRIPTION		QTY.
A		ALLEN KEY M4	1 pc
B		ALLEN KEY M2.5	1 pc
LEG HARDWARE			
C		BARREL NUT M6x10x13	6 pcs
D		CSK ALLEN SCREW M6x25	6 pcs
E		PLASTIC CAP M6	6 pcs
BRACKET HARDWARE			
F		JCBC SCREW M6 x 20	8 pcs
		SPRING WASHER M6	8 pcs
HANGING SHELF HARDWARE			
G		CSK ALLEN SCREW M4 x 30	4 pcs
		SCREW COVER WASHER	4 pcs
		SCREW COVER	4 pcs

PARTS LIST			
NO.	DESCRIPTION		QTY
1		TABLE TOP	1 pc
2		LEG	2 pcs
3		HANGING SHELF	1 pc
4		BRACKET	2 pcs



MADE IN MALAYSIA

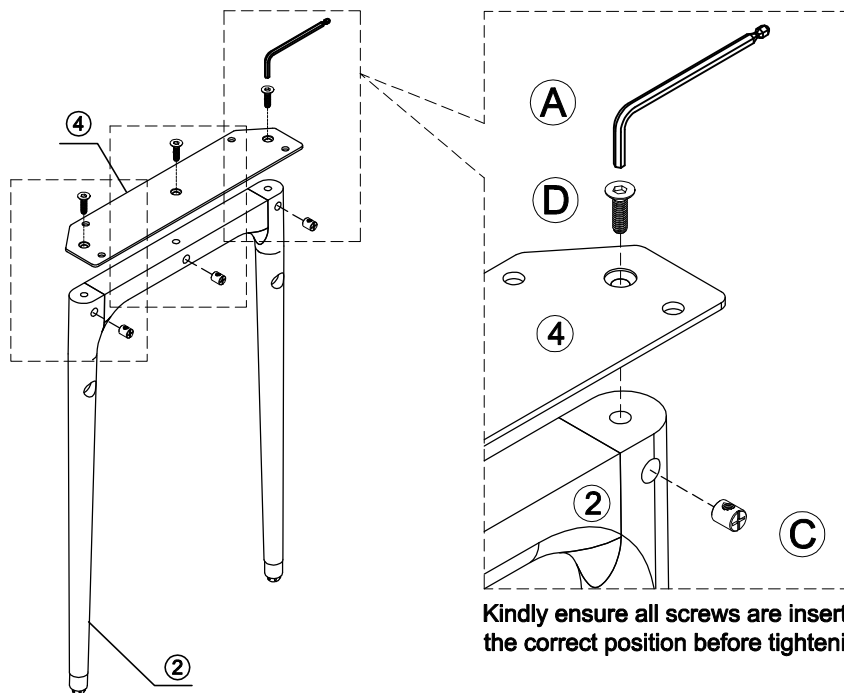
loungelovers

MANHATTAN SIDE TABLE (MAGAZINE HOLDER)

INSTRUCTION SHEET 2/4

STEP 1

Assemble part (2) and (4).

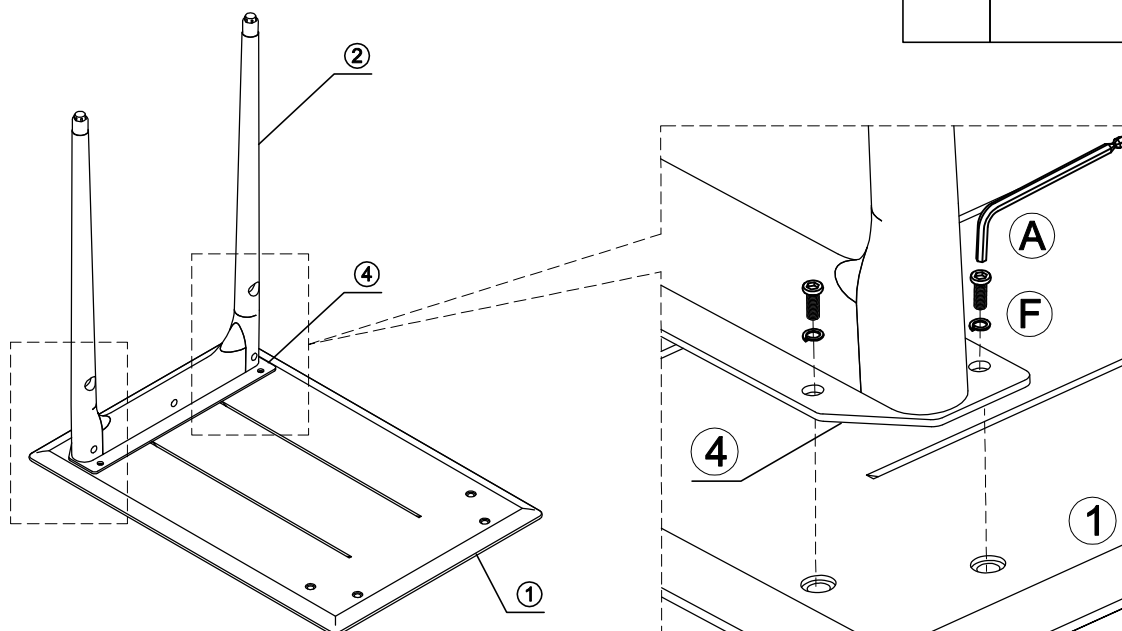


A	ALLEN KEY M4	x 1
C	BARREL NUT M6×10×13	x 6
D	CSK ALLEN SCREW M6×25	x 6

Kindly ensure all screws are inserted into the correct position before tightening.

STEP 2

Assemble part (1) and (4).

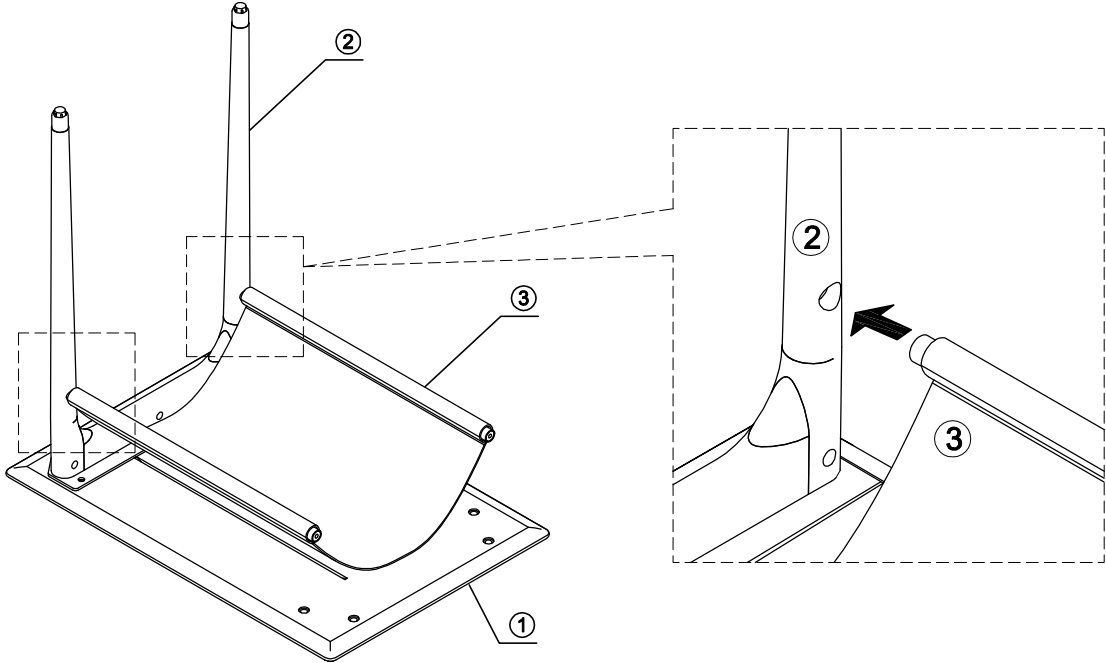


A	ALLEN KEY M4	x 1
F	JCBC SCREW M6 × 20	x 4
	SPRING WASHER M6	x 4

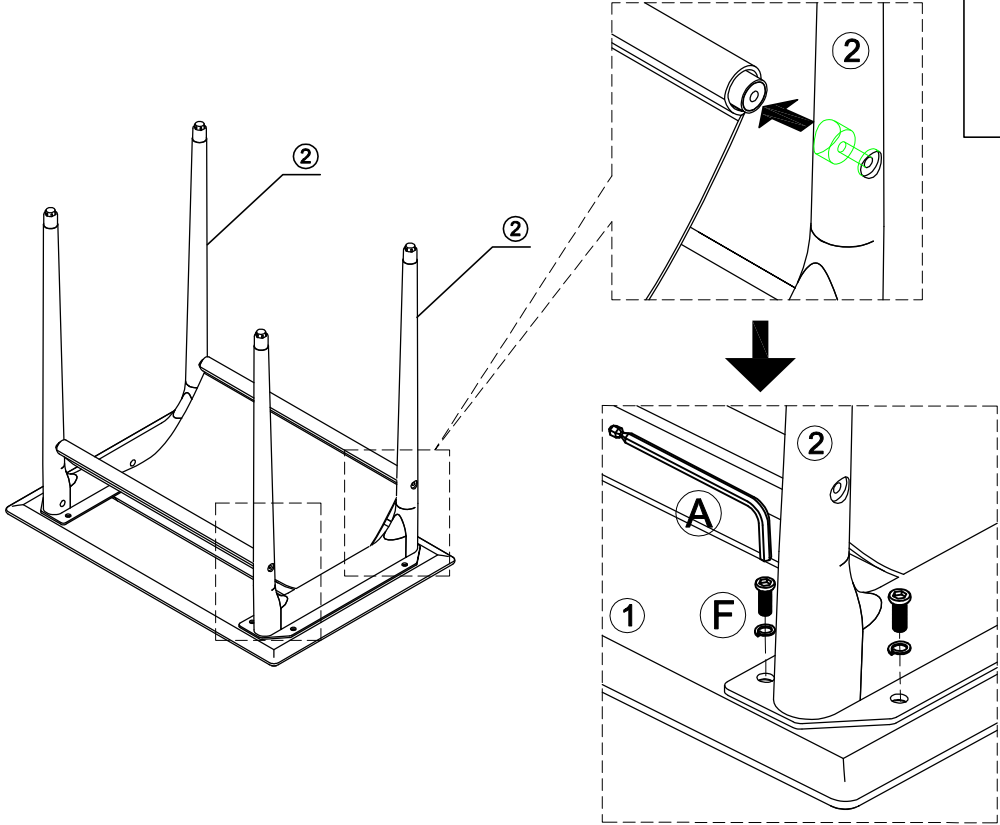
MADE IN MALAYSIA




loungelovers

STEP 3
Assemble part (3).



STEP 4
Assemble part (2).



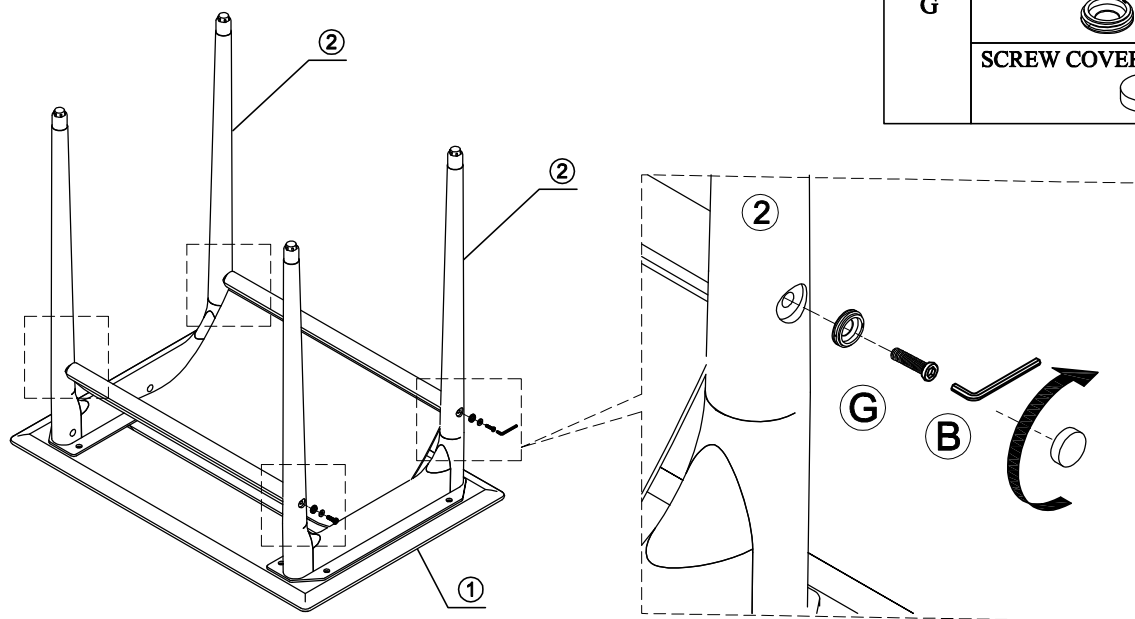
A	ALLEN KEY M4 	x 1
F	JCBC SCREW M6 x 20 	x 4
	SPRING WASHER M6 	x 4

loungelovers

MANHATTAN SIDE TABLE (MAGAZINE HOLDER)

INSTRUCTION SHEET 4/4

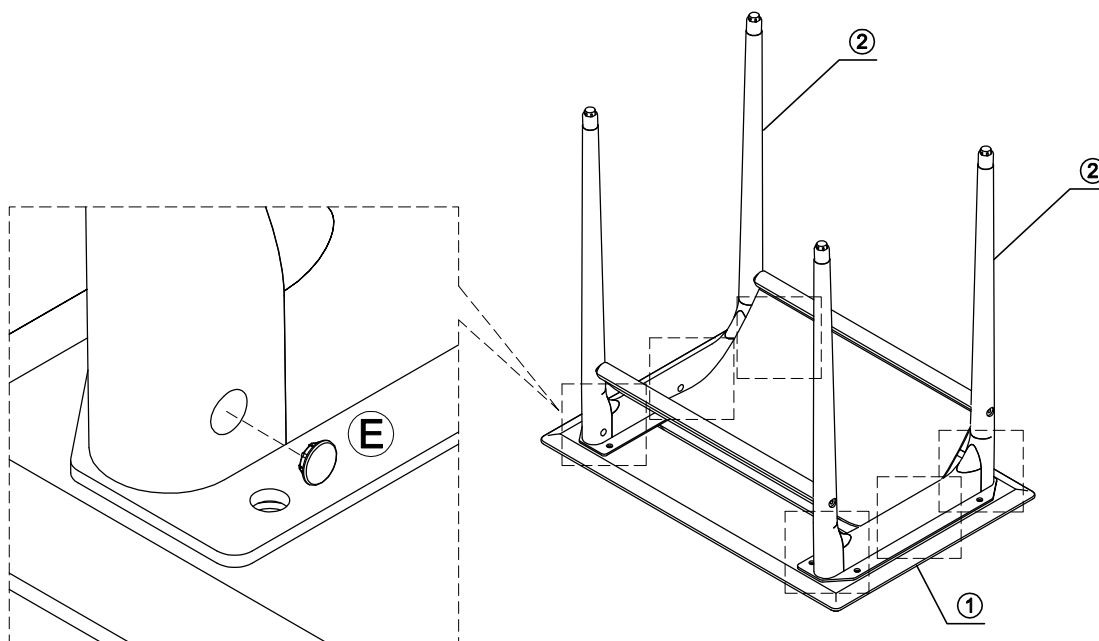
STEP 5



B	ALLEN KEY M2.5	x 1
G	CSK ALLEN SCREW M4x30	x 4
	SCREW COVER WASHER	x 4
	SCREW COVER	x 4

STEP 6

Assemble part (2) .



E	PLASTIC CAP M6	x 6
---	----------------	-----

MADE IN MALAYSIA