




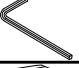

ASSEMBLY INSTRUCTIONS

lounge lovers

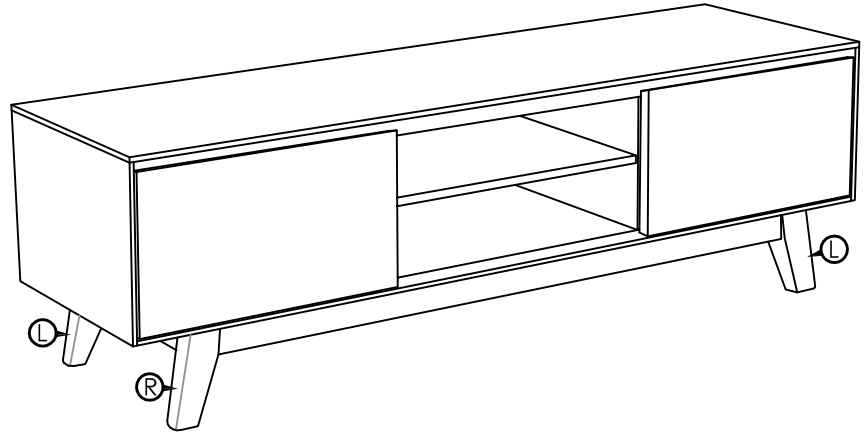
MODEL : OTIS TV UNIT

IMPORTANT NOTE :

- * PLACE ALL WOODEN PARTS ON A CLEAN AND SMOOTH SURFACE SUCH AS A RUG OR CARPET TO AVOID THE PARTS FROM BEING SCRATCHED.
- * BEFORE YOU BEGIN, KINDLY FOLLOW THE ASSEMBLY INSTRUCTIONS STEP BY STEP.

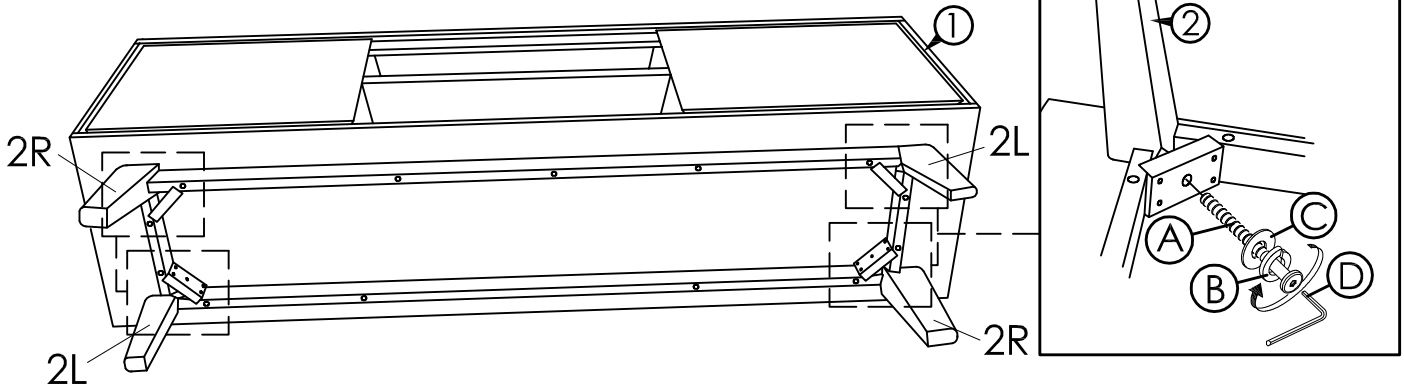
HARDWARE LIST		
A	JCBC SCREW M6 x 70mm 	4PCS
B	SPRING WASHER M6 x 13 	4PCS
C	FLAT WASHER M6 x 19 	4PCS
D	ALLEN KEY M4 	1PC
E	ANTI TIP KITS 	1 SET

PART LIST		
1	TV CABINET	1PC
2	TV CABINET LEG (L / R)	4PCS

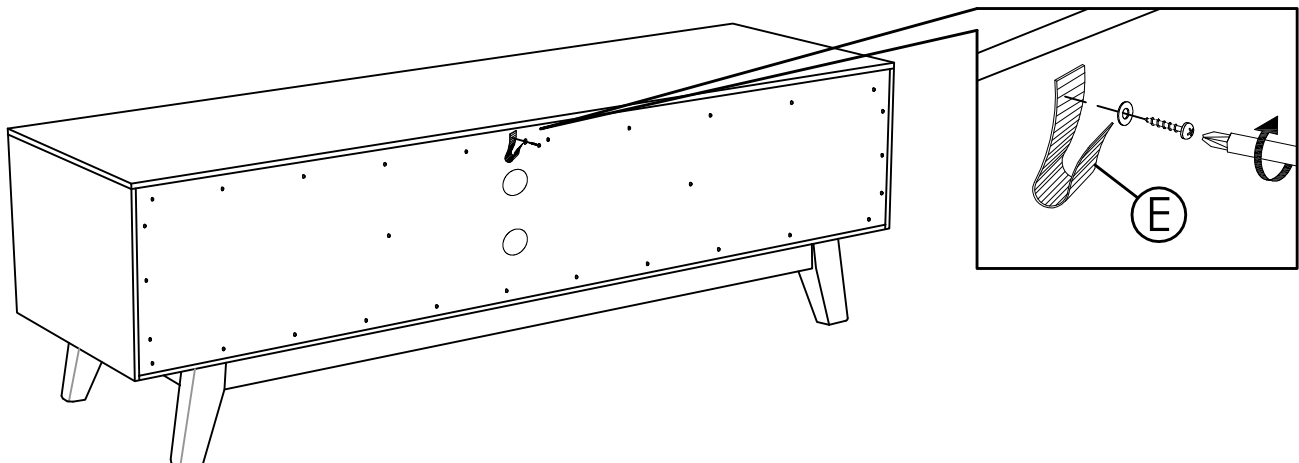


COMPLETED TV CABINET ASSEMBLY.

STEP 1



STEP 2



WARNING!

**FOR YOU & YOUR FAMILY'S SAFETY TO PREVENT
OVERTURNING**

**THIS PRODUCT MUST BE USED WITH THE WALL ATTACHMENT
DEVICE PROVIDED**

Serious or fatal crushing injuries can occur from furniture tipping over.

To help prevent topple over:

- Use the wall attachment device provided
- Never allow children to climb or hang on drawers, doors or shelves
- Place heaviest items in the lower drawers or shelves
- Unless specifically designed to accommodate, do not set TV's or other heavy objects on top of this product
- Never open more than one drawer at a time
- An attachment device is provided with your product, however you will need to source suitable fixings for your wall type. If in doubt, please consult a qualified tradesperson.
- Always ensure the wall to be drilled is free from hidden electrical wires, water and gas pipes.