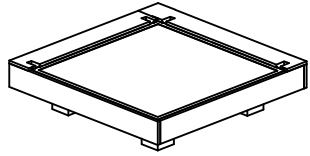
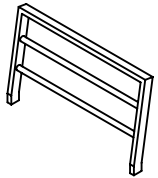


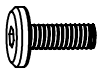
1 = 1x



2 = 2x



A = 4x



M6x20

B = 4x



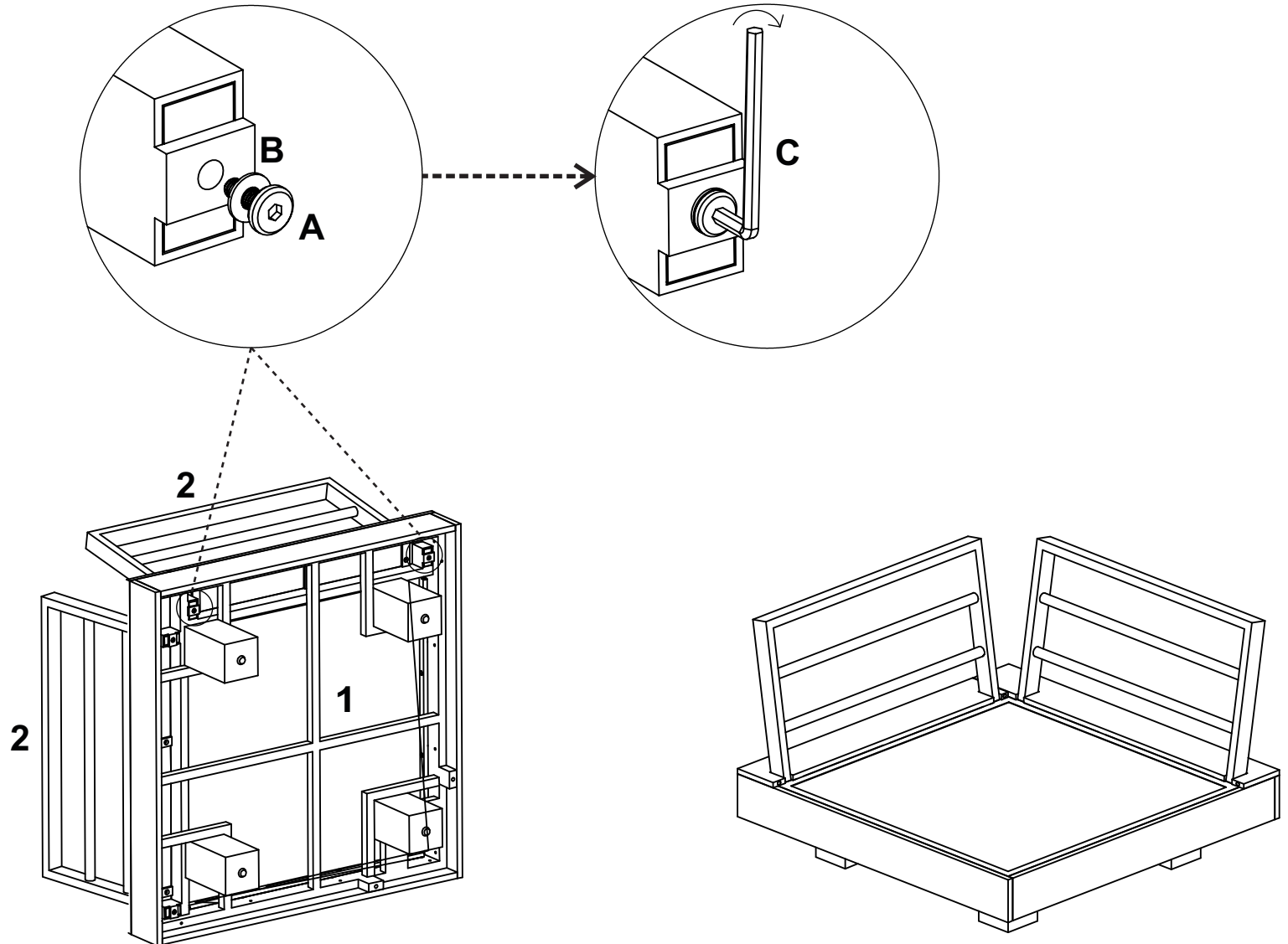
M6

C = 1x

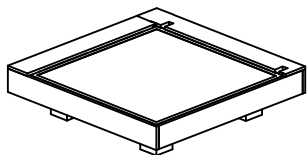


## ASSEMBLY INSTRUCTIONS

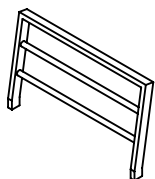
# loungelovers



1 = 1x



2 = 1x



A = 2x



M6x20

B = 2x



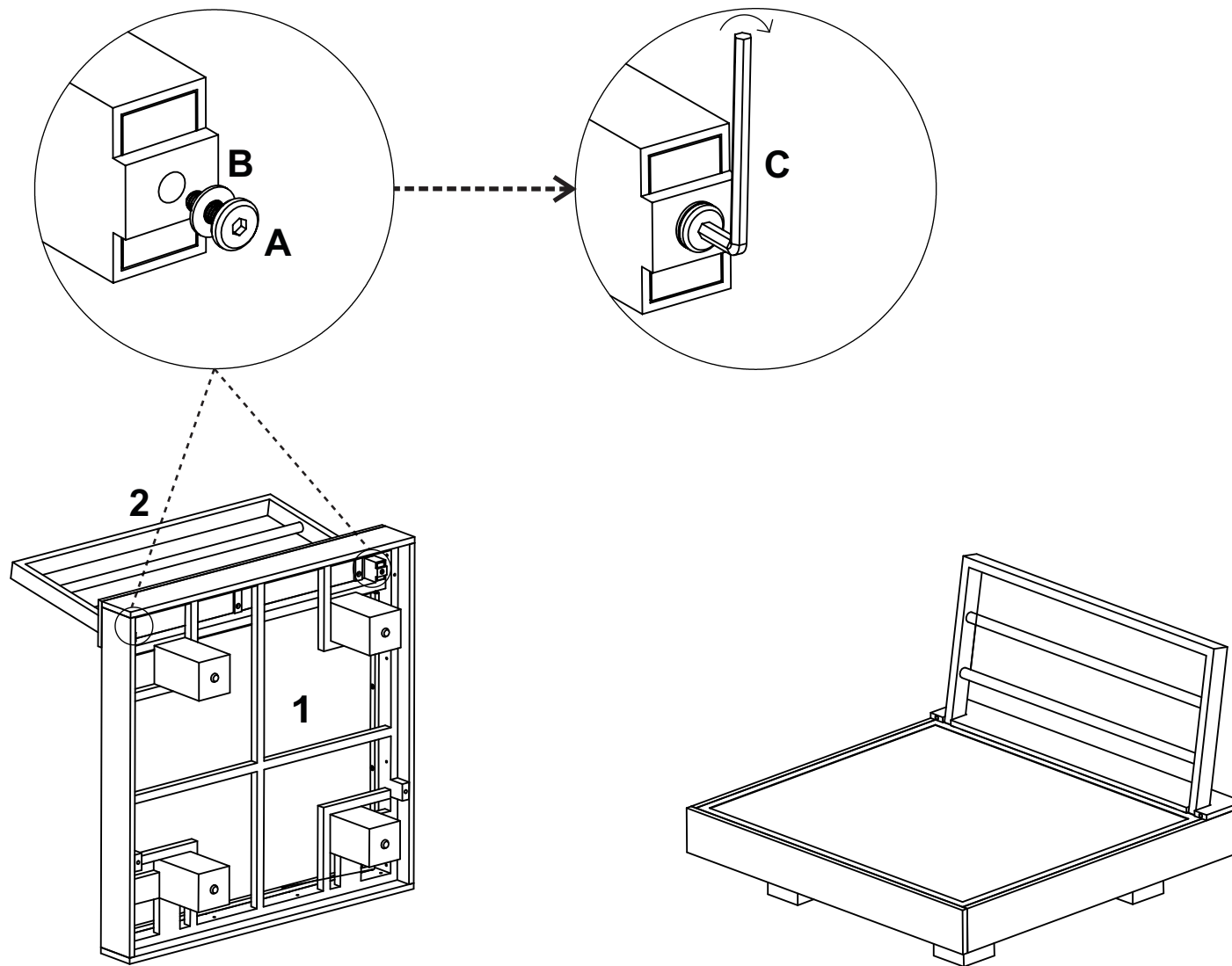
M6

C = 1x

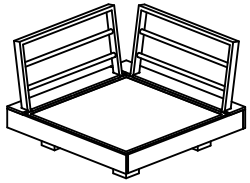


# ASSEMBLY INSTRUCTIONS

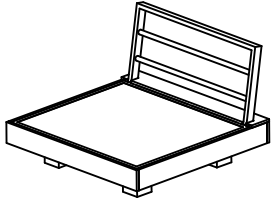
# loungelovers



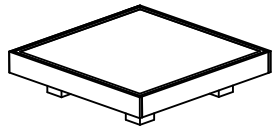
Corner x1



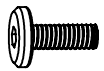
Middle x3



Hocker x1



A = 8x



M8x20

B = 8x

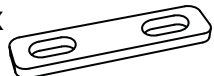


M8

C = 1x



D = 4x



85x20x5

# ASSEMBLY INSTRUCTIONS

# loungelovers

