

Assembly instruction

Applicable product model :

JK006-2

M6x45

Ø6

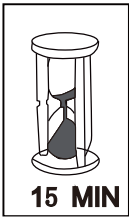
Ø6



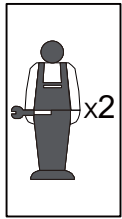
A = 8

B = 8

C = 8



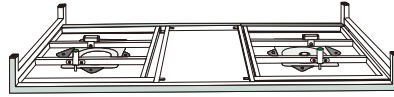
15 MIN



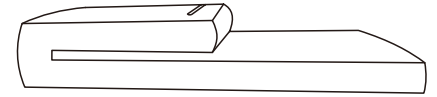
x2



4mm

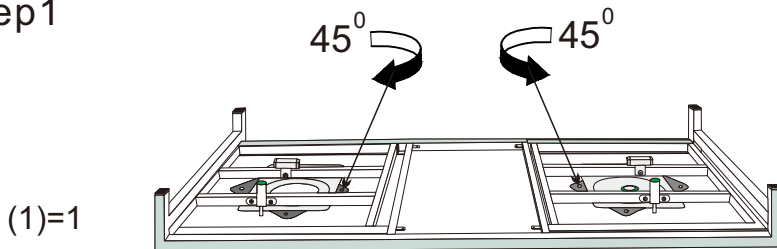


(1)=1

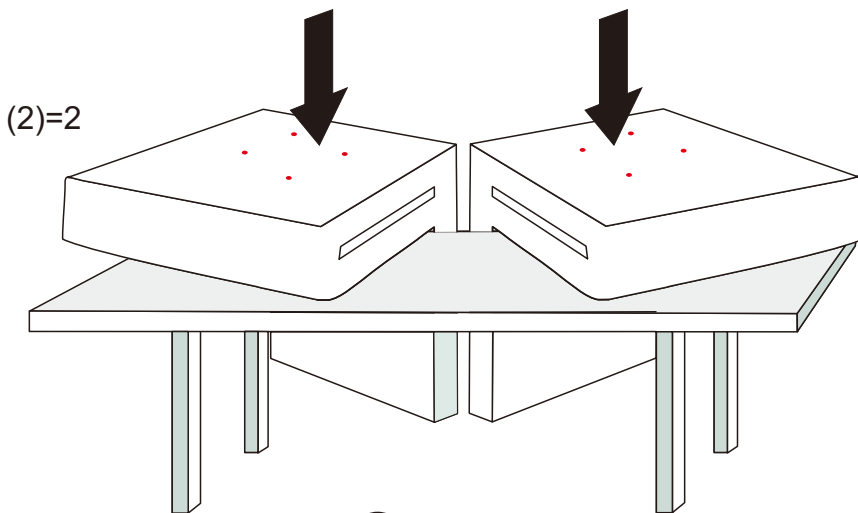


(2)=2

step 1

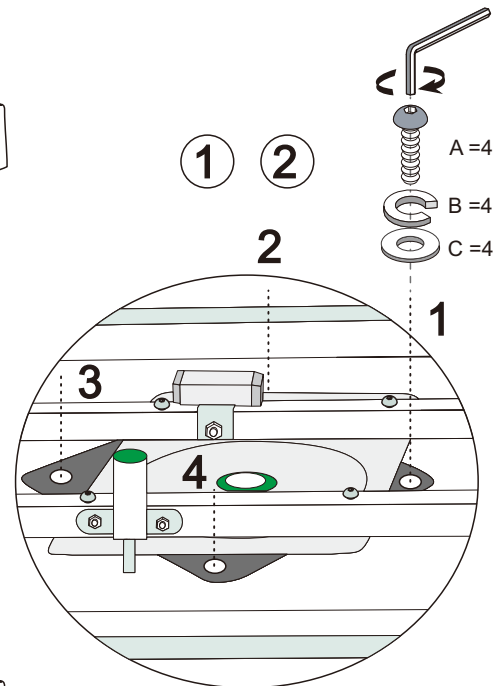
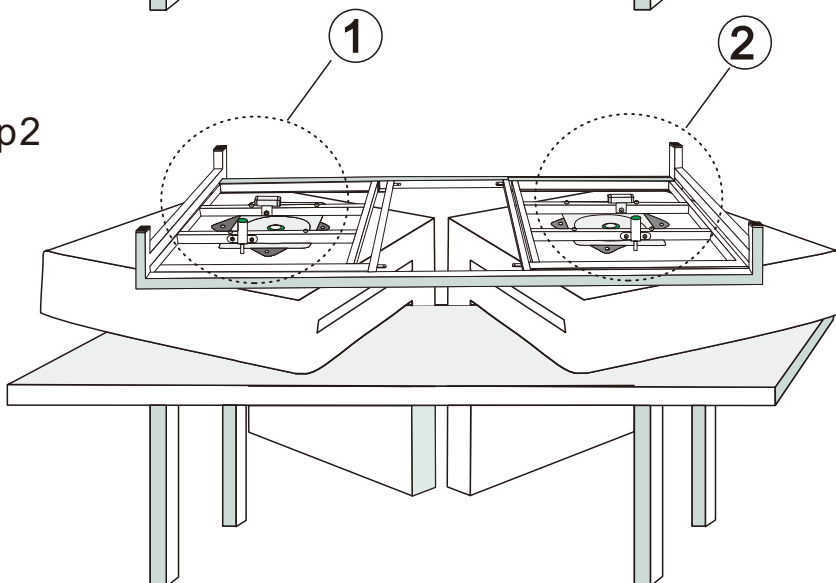


(1)=1



(2)=2

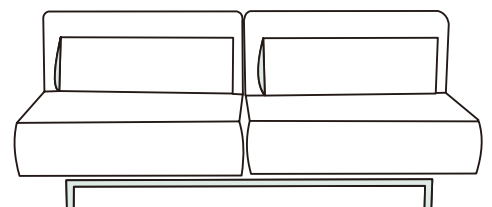
step 2



A = 4

B = 4

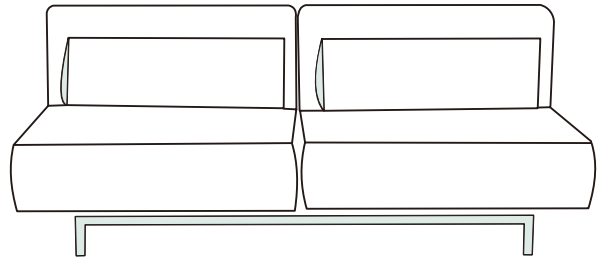
C = 4



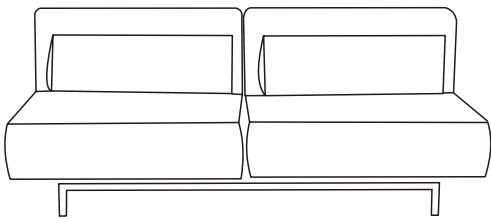
Assembly instruction

Applicable product model :

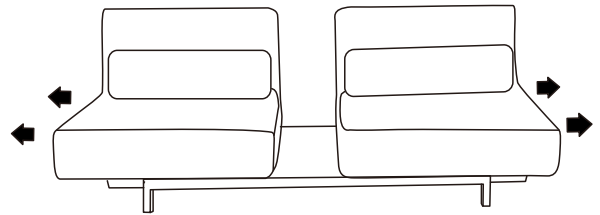
JK006-2



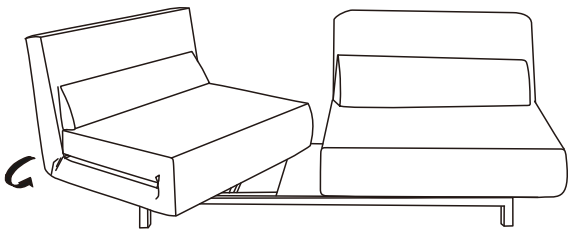
1



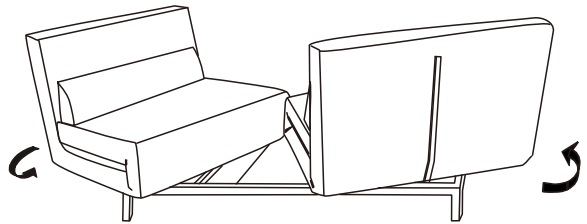
2



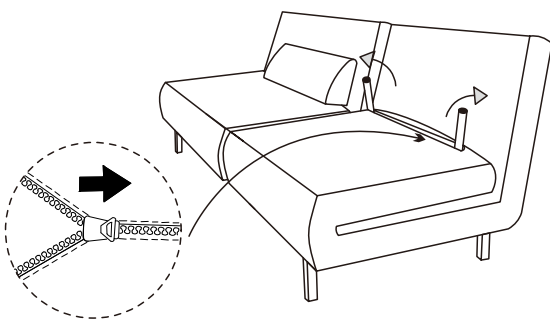
3



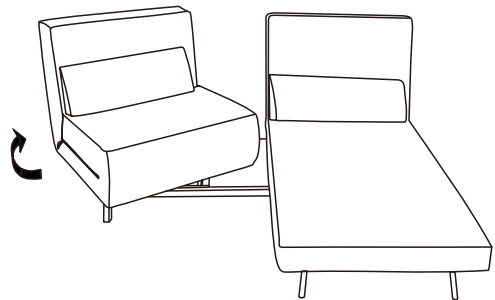
4



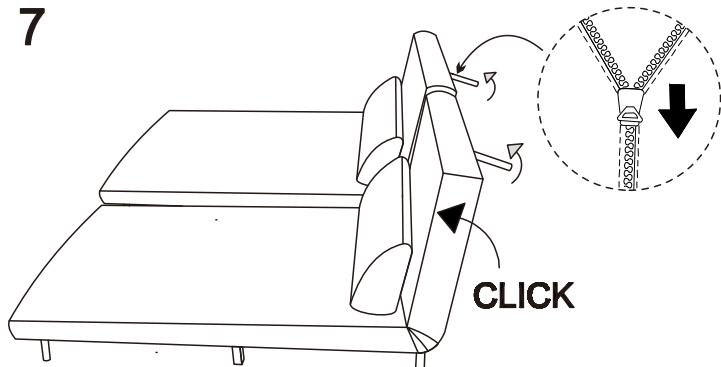
5



6



7



8

