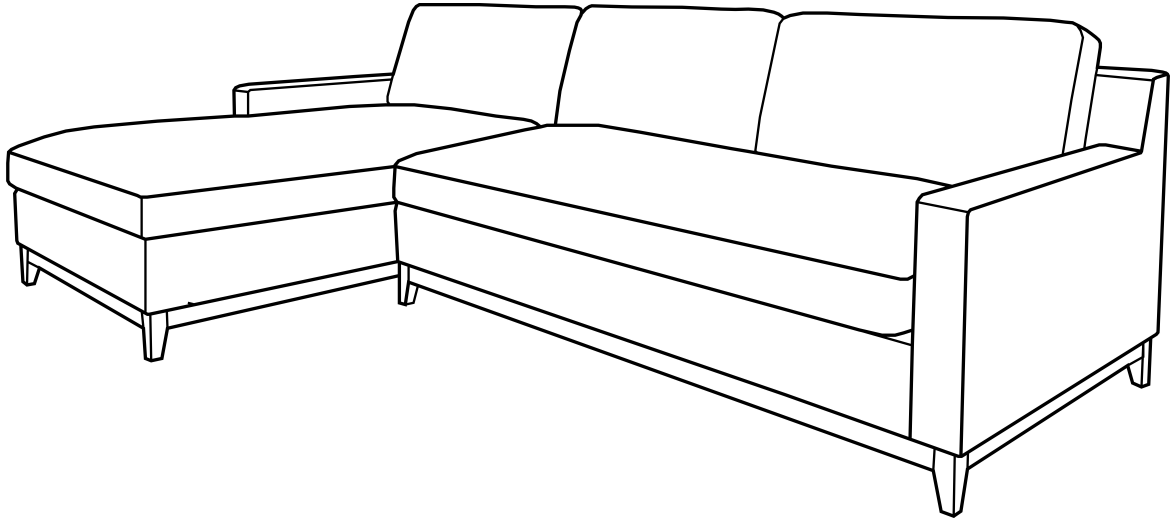


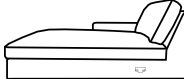

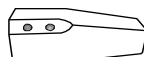





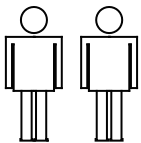
Assembly Instructions

Cove RHF/LHF Sofa Bed



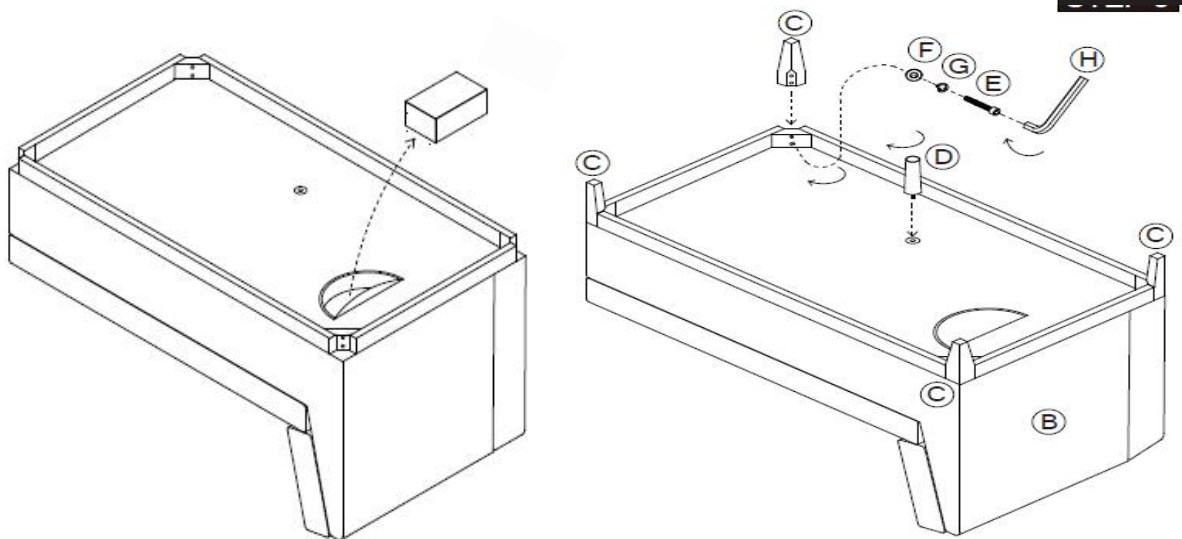
Component parts and fittings contained in the box

A. Sleeper sofa body		1pc	E . Bolt(M8*70)		16pcs
B. Chaise body		1pc	F . Flat washer		16pcs
C. Leg		8pcs	G . Spring washer		16pcs
D. Center support leg		1pc	H . Allen key		1pc

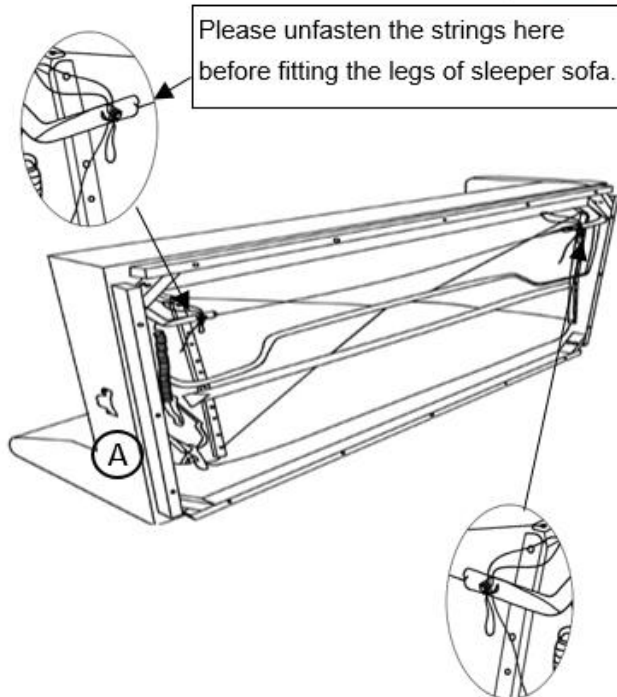


TWO PEOPLE NEEDED TO ASSEMBLE THIS PRODUCT

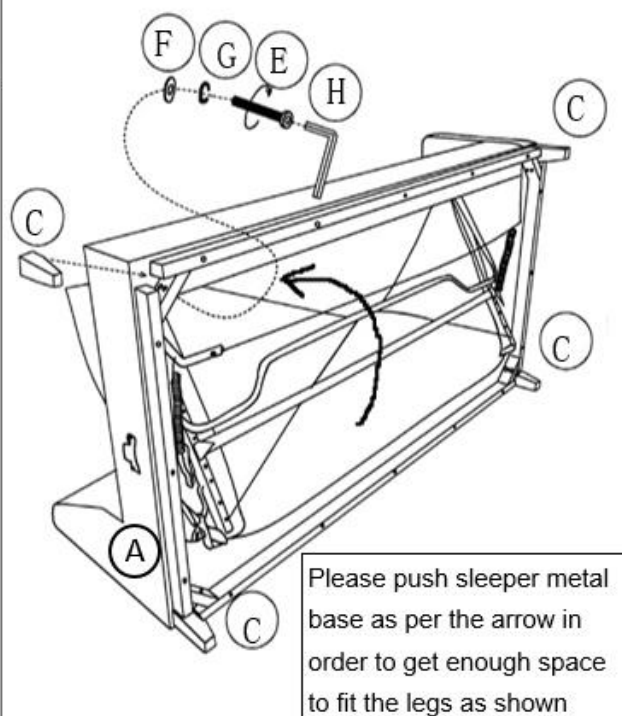
STEP 1



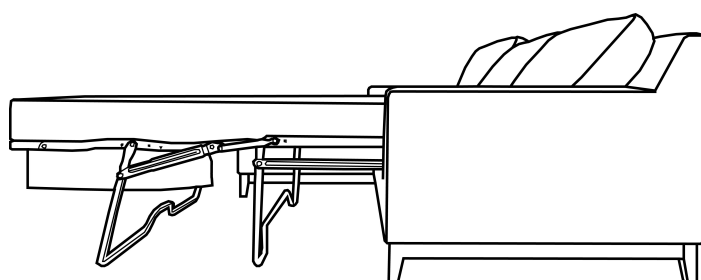
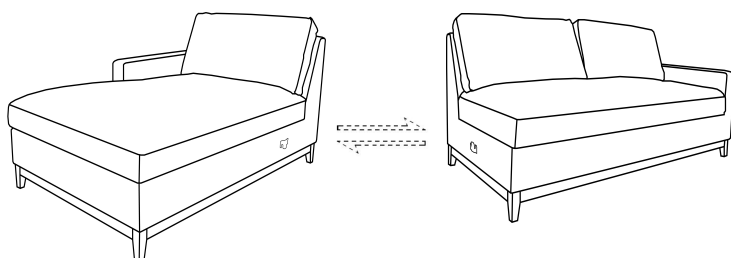
STEP 2



STEP 3



STEP 4



Please Note:

1. We suggest you spend a short time reading through this leaflet and then follow the simple step by step instructions.
2. The pack of the legs and the hardware to be underneath the seat, please remove the bottom non-woven fabric and take off the pack of legs and hardware, please re-put bottom non-woven fabric onto underneath seat frame again after finishing assembly.
3. Don't discard any of the packaging until you have checked that you have all the parts and the pack of fittings.
4. Assemble this item on a carpet.
5. We strongly advise that all the fittings are only finger tightened during initial assembly only, upon completion of the assembly should all fittings points be fully tightened.
6. We strongly recommend a period check on all fixing points to make sure they remain fully tightened.
7. Keep away from direct sunlight.