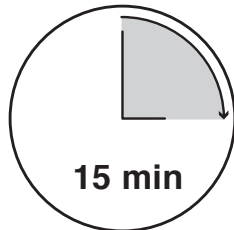


Scott Three 947 Sofa and Loveseat

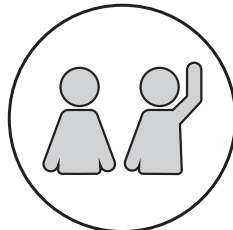
ASSEMBLY INSTRUCTIONS

Read these instructions carefully and keep for future reference.
Refer to parts inventory for guidance, and ensure you have all pieces before starting.

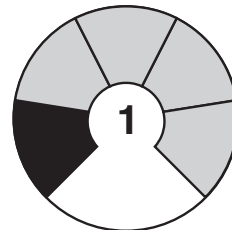
When assembling, place all parts on a soft, clean and flat surface such as a carpet to prevent scratches.



TIME



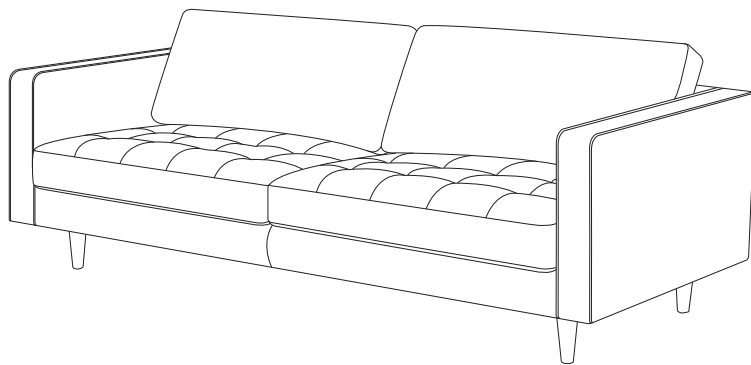
OF PEOPLE





DIFFICULTY

⚠ WARNING Two people required to orientate the sofa

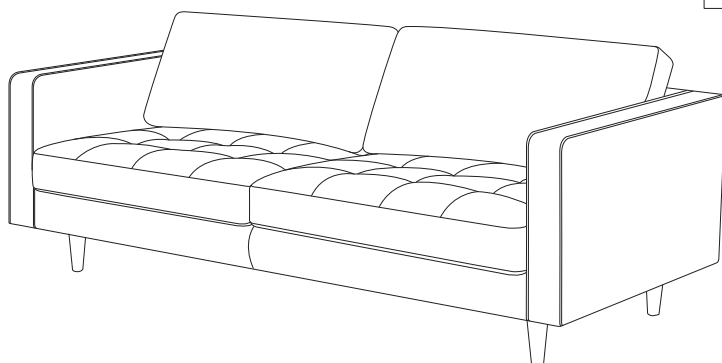
Sofa




PARTS INVENTORY

ID	DESCRIPTION	QTY
A	Outside legs 	4
B	Centre legs 	1

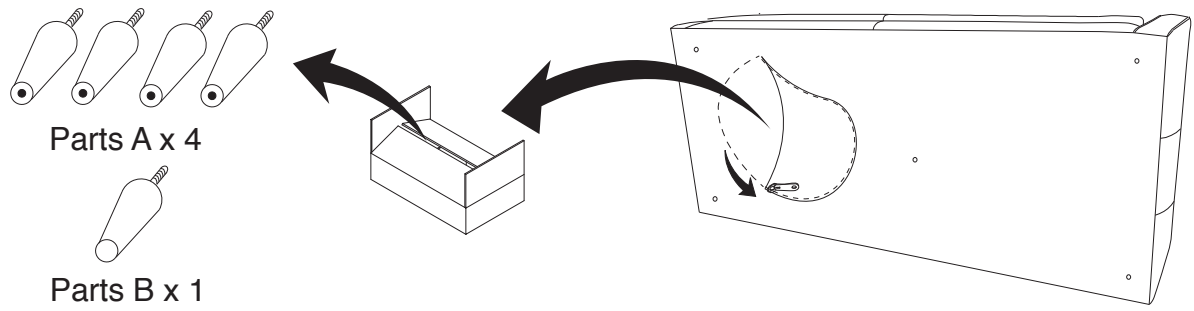
Loveseat



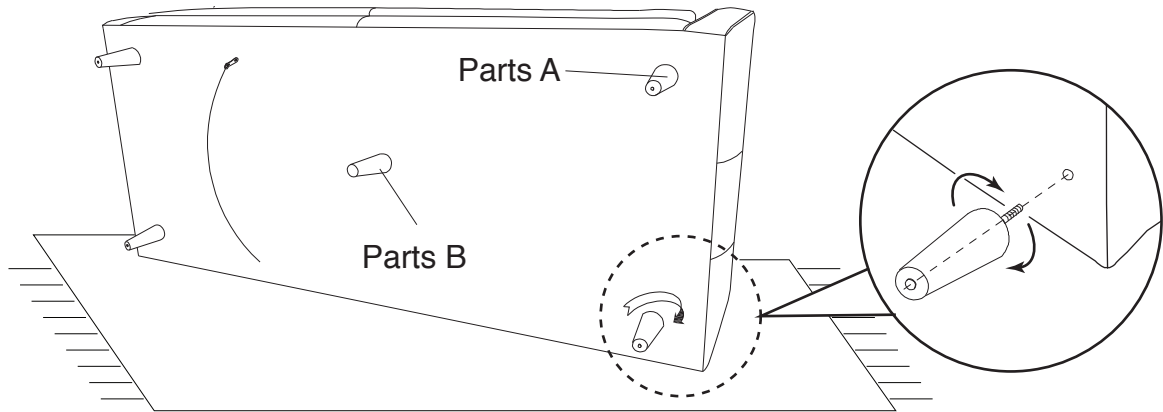
PARTS INVENTORY

ID	DESCRIPTION	QTY
A	Outside legs 	4

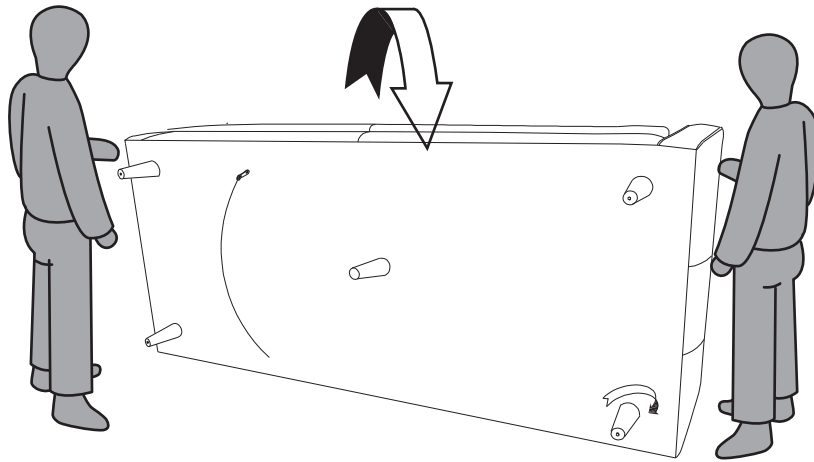
Step 1



Step 2



Step 3



Finished

