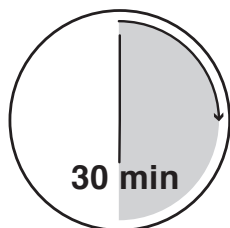


# Scott 560-LAL+RACH

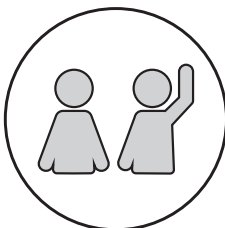
## ASSEMBLY INSTRUCTIONS

Read these instructions carefully and keep for future reference.  
Refer to parts inventory for guidance, and ensure you have all pieces before starting.

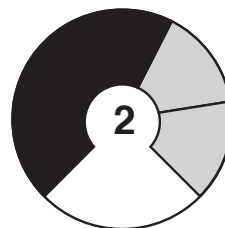
When assembling, place all parts on a soft, clean and flat surface such as a carpet to prevent scratches.



TIME

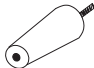


# OF PEOPLE

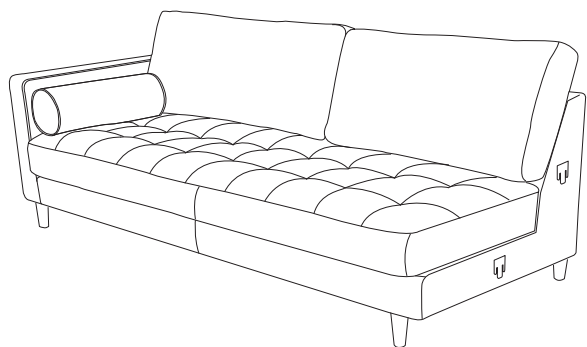


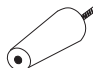
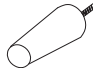
DIFFICULTY

**⚠ WARNING** Two people required to orientate the sofa

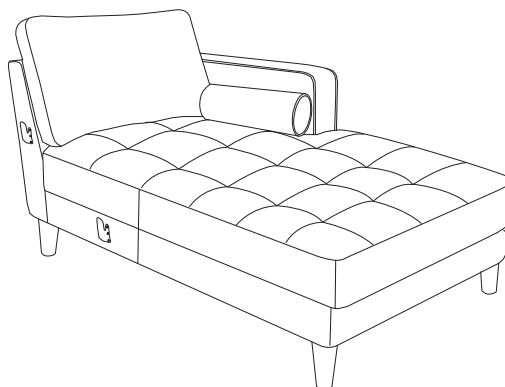
PARTS INVENTORY		
ID	DESCRIPTION	QTY
<b>A</b>	Outside Legs 	4

LAL



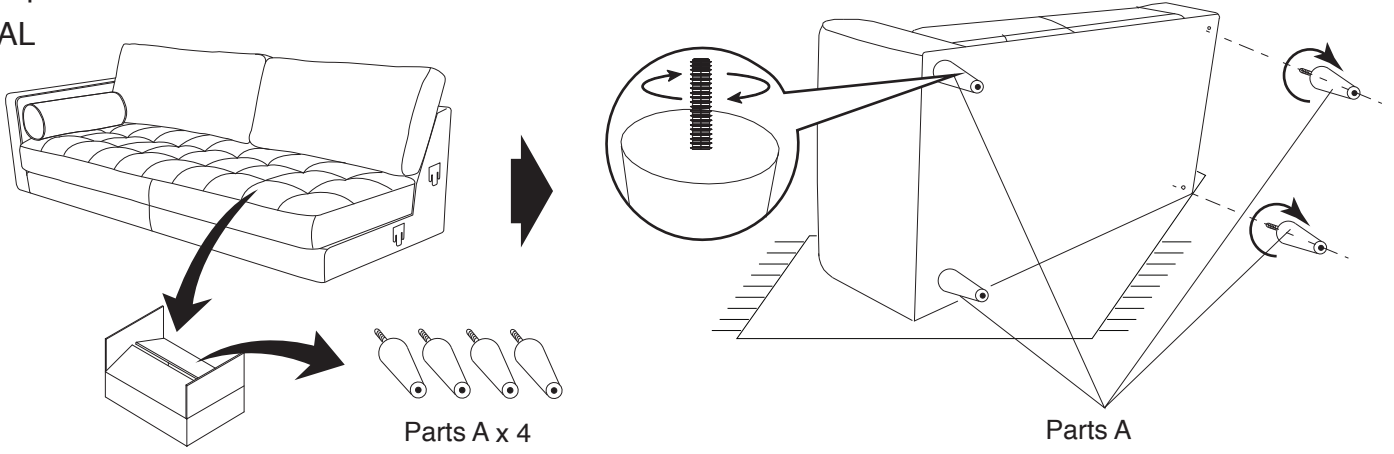
PARTS INVENTORY		
ID	DESCRIPTION	QTY
<b>A</b>	Outside Legs 	4
<b>B</b>	Centre Legs 	2

RACH



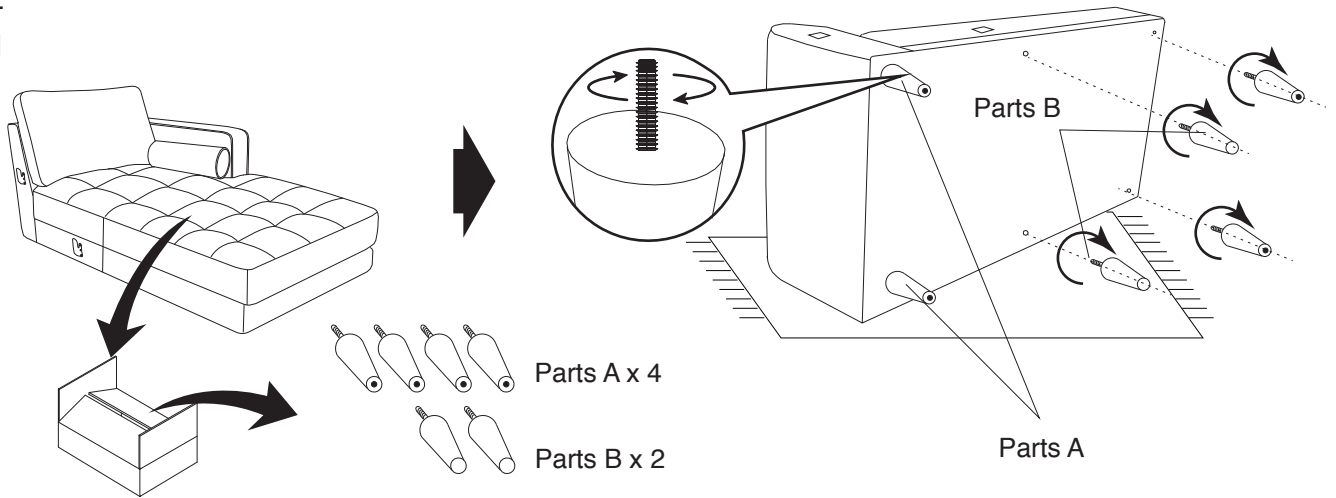
Step 1

LAL



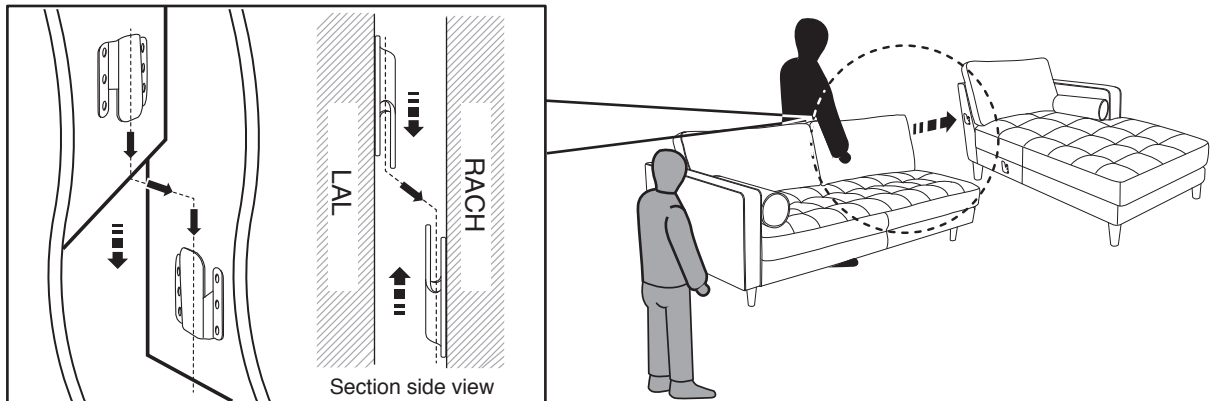
Step 2

RACH



Step 3

Connect



Finished

