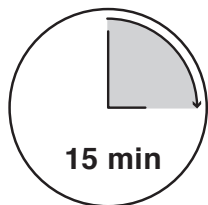


Scott 560 Sofa, Loveseat, Chair and Ottoman

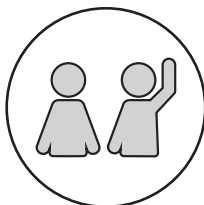
ASSEMBLY INSTRUCTIONS

Read these instructions carefully and keep for future reference.
Refer to parts inventory for guidance, and ensure you have all pieces before starting.

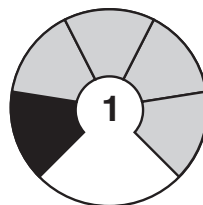
When assembling, place all parts on a soft, clean and flat surface such as a carpet to prevent scratches.



TIME



OF PEOPLE

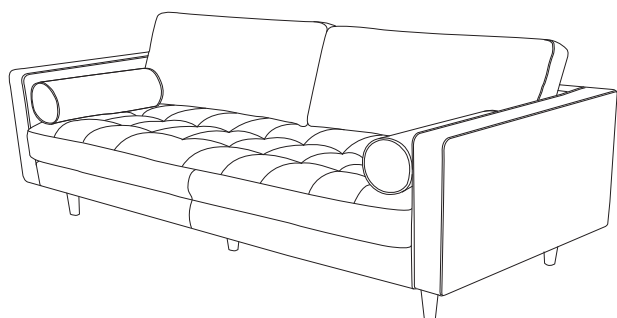


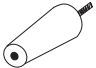

DIFFICULTY



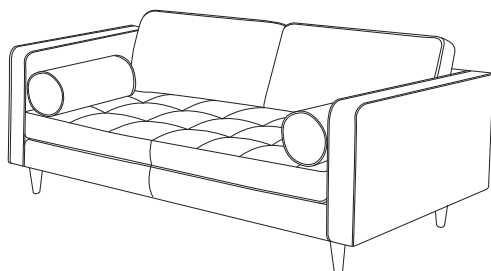
WARNING Two people required to orientate the sofa


Sofa



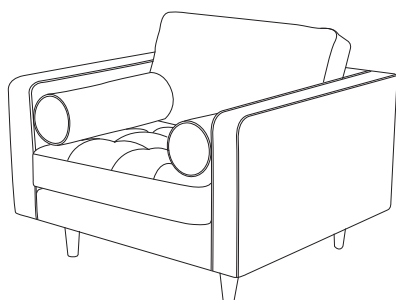
| PARTS INVENTORY | | |
|-----------------|---|-----|
| ID | DESCRIPTION | QTY |
| A | Outside Legs  | 4 |
| B | Centre Legs  | 1 |

Loveseat

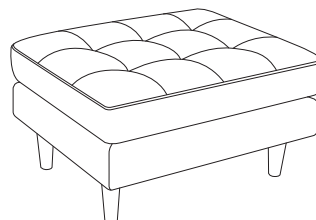


| PARTS INVENTORY | | |
|-----------------|--|-----|
| ID | DESCRIPTION | QTY |
| A | Outside Legs  | 4 |

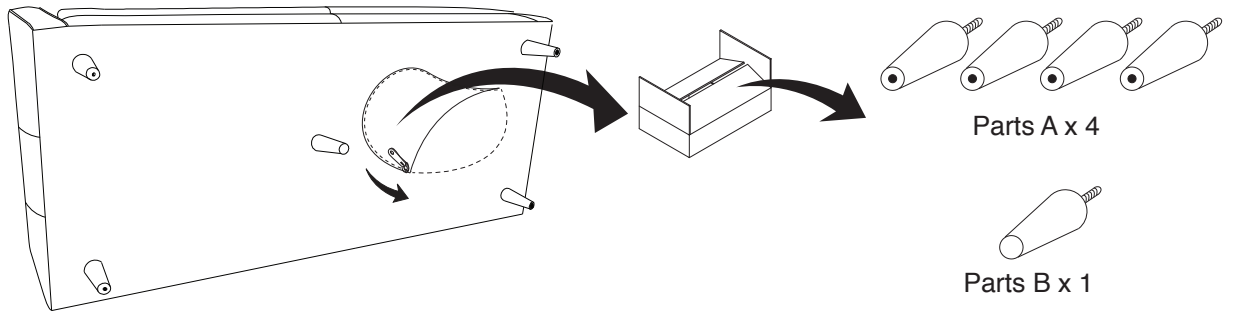
Chair



Ottoman



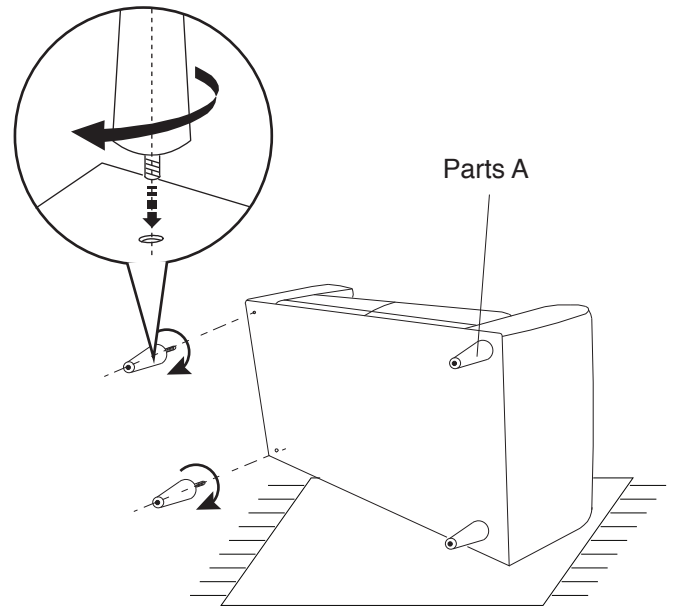
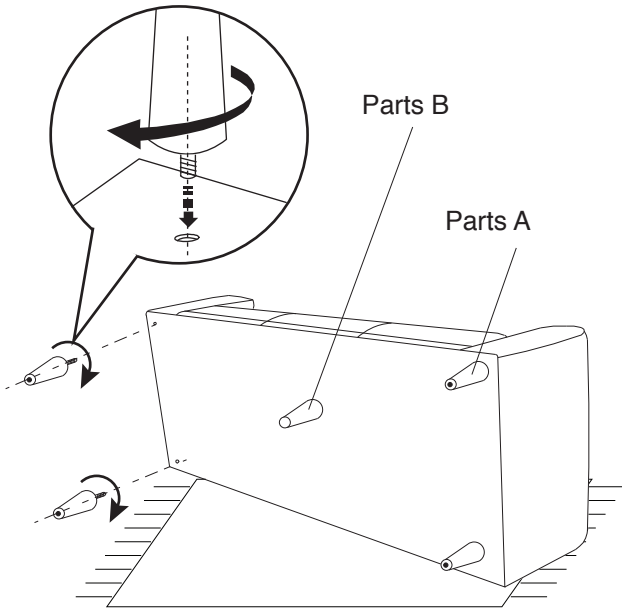
Step 1



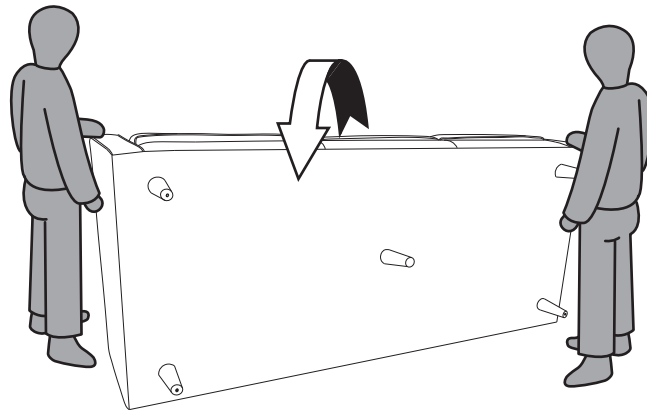
Step 2

Sofa

Loveseat, Chair and Ottoman



Step 3



Finished

