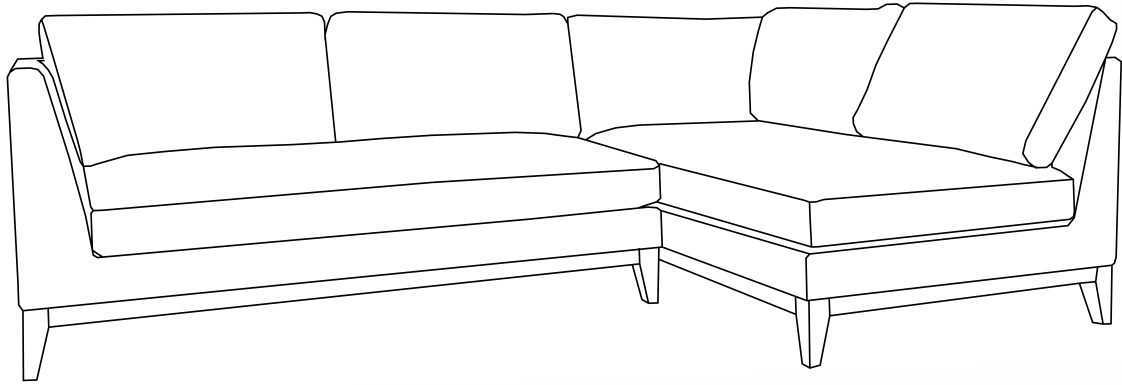




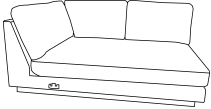

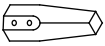

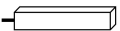

loungelovers

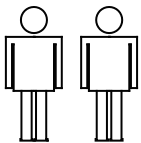
ASSEMBLY INSTRUCTIONS

Harbour LHF/RHF Sofa



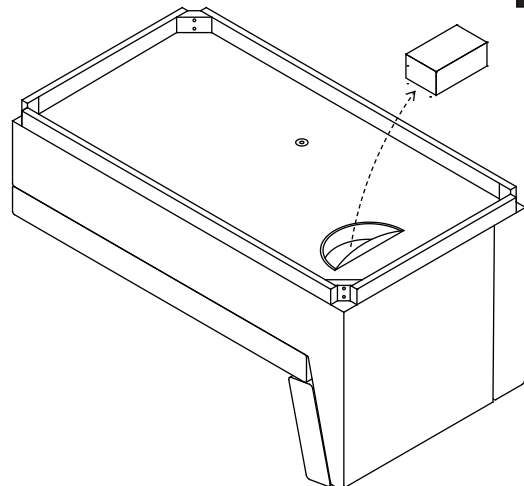
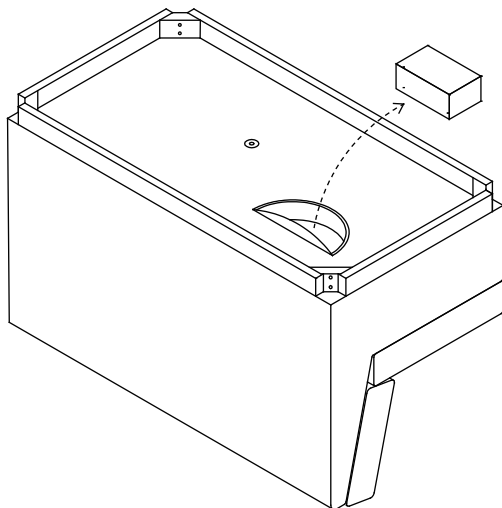
Component parts and fittings contained in the box

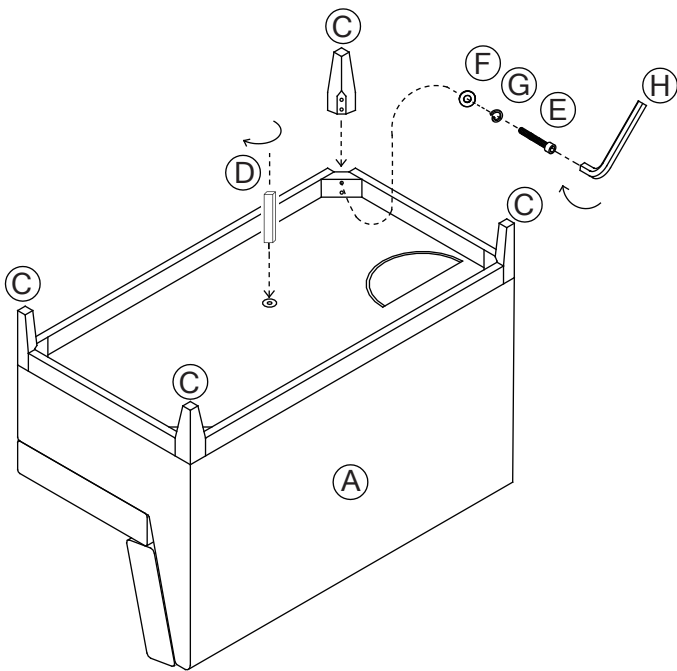
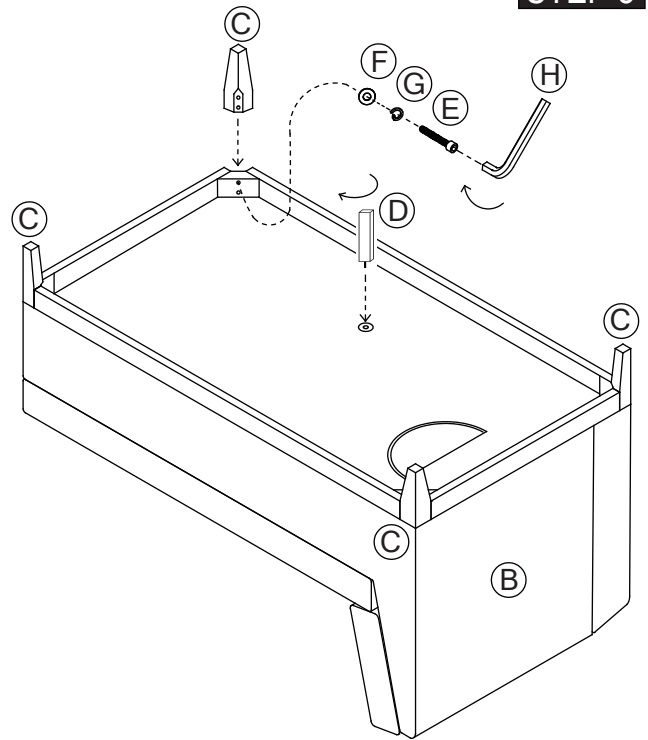
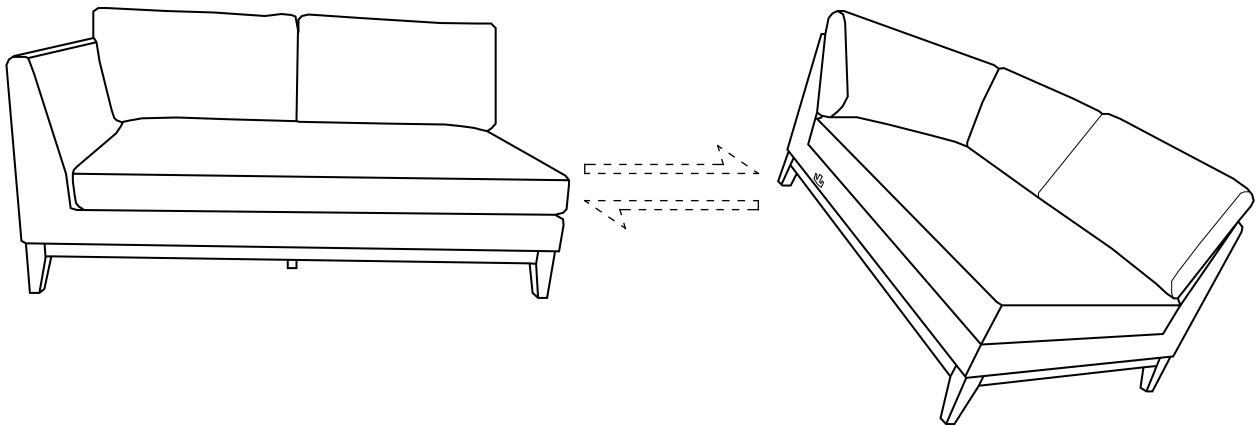
A . sofa body		1pcs	E . Bolt(M8*70)		16pcs
B . Chaise body		1pcs	F . Flat washer		16pcs
C . Leg		8pcs	G . Spring washer		16pcs
D . Center support leg		2pcs	H . Allen key		1pcs



TWO PEOPLE NEEDED TO ASSEMBLE THIS PRODUCT

STEP 1



STEP 2**STEP 3****STEP 4****Please Note:**

1. We suggest you spend a short time reading through this leaflet and then follow the simple step by step instructions.
2. The pack of the legs and the hardware to be underneath the seat, please open the zipper on the bottom non-woven fabric and take off the pack of legs and hardware, please close the zipper on the bottom non-woven fabric after finishing assembly.
3. Don't discard any of the packaging materials until you have checked that you have all the parts and the pack of fittings.
4. Assemble this item on a carpet.
5. We strongly advise that all the fittings are only finger tightened during initial assembly, upon completion of assembly should all fittings points be fully tightened .
6. We strongly recommend a period check on all fixing points to make sure they remain fully tightened.
7. keep away from direct sunlight.