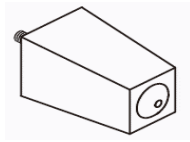


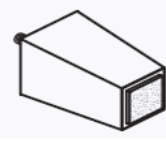
loungelovers



A Sofa BodyX1

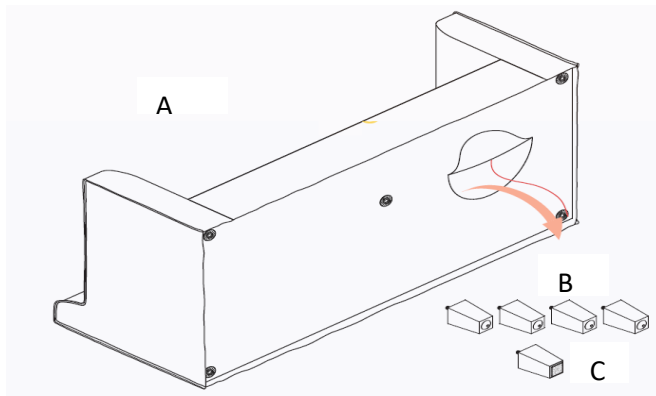


B Corner LegX4

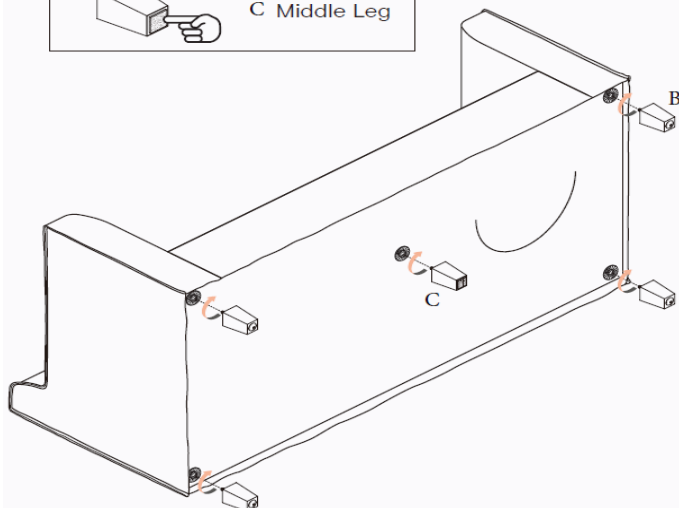
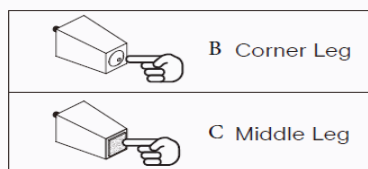


C Middle LegX1

STEP1 Turn the sofa body A so that the bottom faces you. . Unzip the bottom fabric and take out the legs B and C. Zip the fabric back again.



STEP2 Distinguish the corner legs B from the middle leg C by the stoppers. Corner legs come with plastic stoppers while the middle leg comes with a felt pad.Screw the legs into the holes on the bottom.



FINISH

