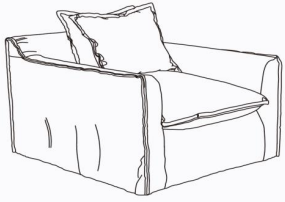
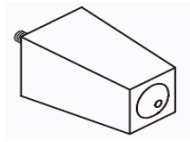


# loungelovers

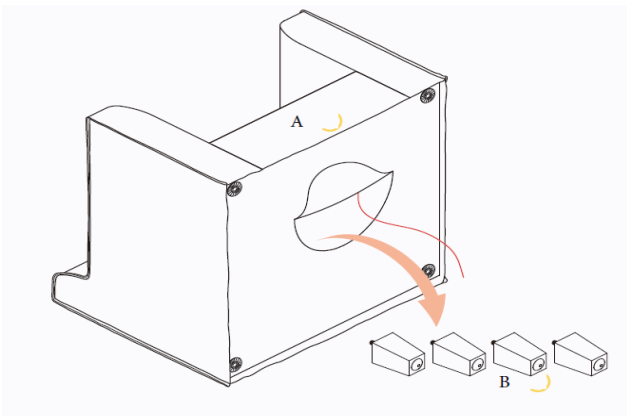


A Armchair BodyX1

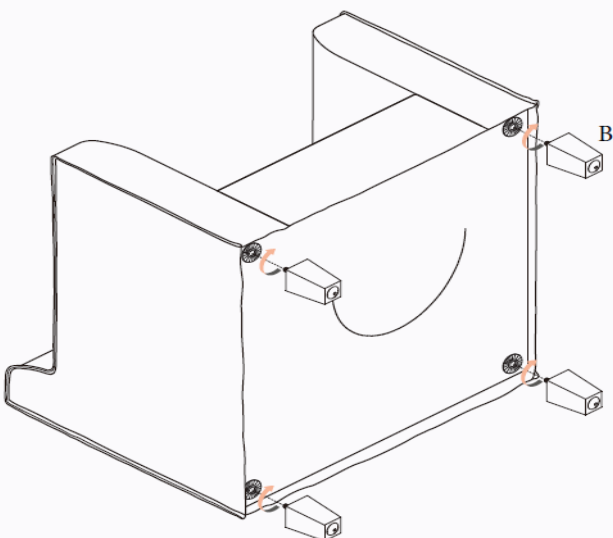


B LegX4

**STEP1** Turn the armchair body A so that the bottom faces you. Unzip the bottom fabric and take out the legs B. Zip the fabric back again.



**STEP2** Screw the legs B into the holes on the bottom.



**FINISH**

