

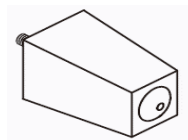
loungelovers



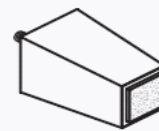
A Right Loveseat Body



B Left Chaise Body



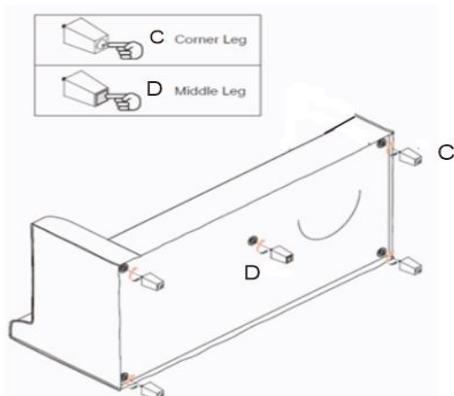
C Corner LegX8



D Middle LegX2

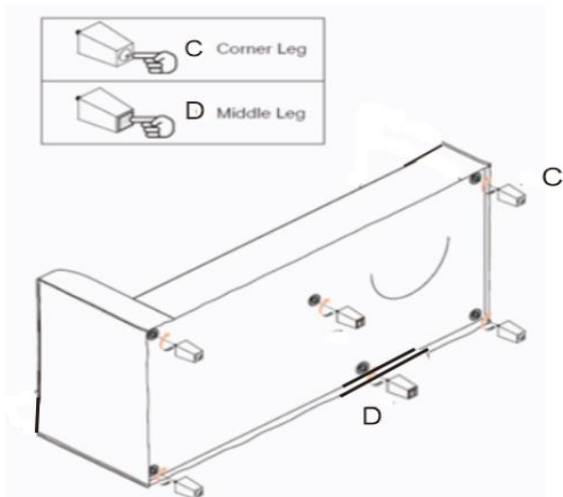
STEP1

Open the Loveseat carton. Distinguish the corner legs C from the middle leg D by the stoppers. Corner legs come with plastic stoppers while the middle leg comes with a felt pad.Screw the legs into the holes on the bottom.



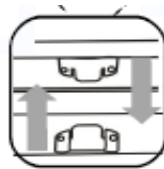
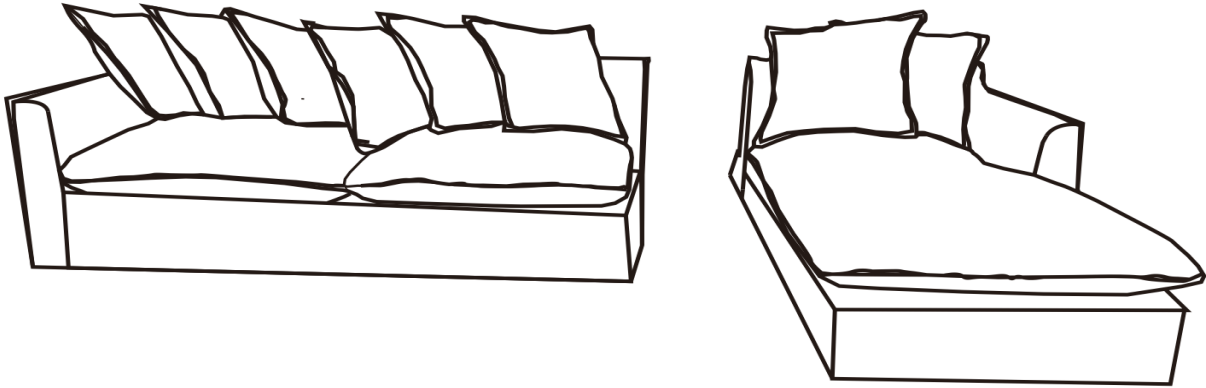
STEP2

Open the chaise carton.Distinguish the corner legs C from the middle leg D by the stoppers. Corner legs come with plastic stoppers while the middle leg comes with a felt pad.Screw the legs into the holes on the bottom.



loungelovers

STEP3 Please place the Chaise at your desired location. Align the fixed clip on the bottom of Loveseat to the Clip Posts on the bottom of Chaise as shown. Then attached the chaise to the loveseat.



FINISH

