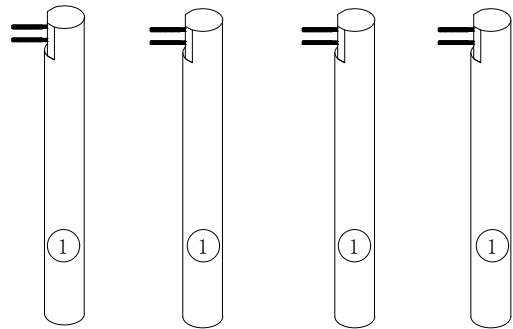
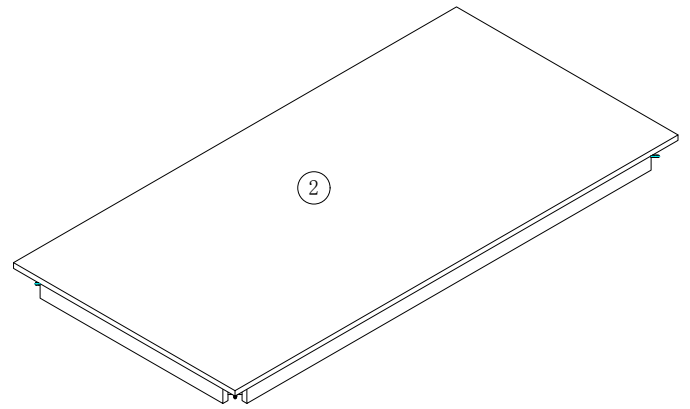
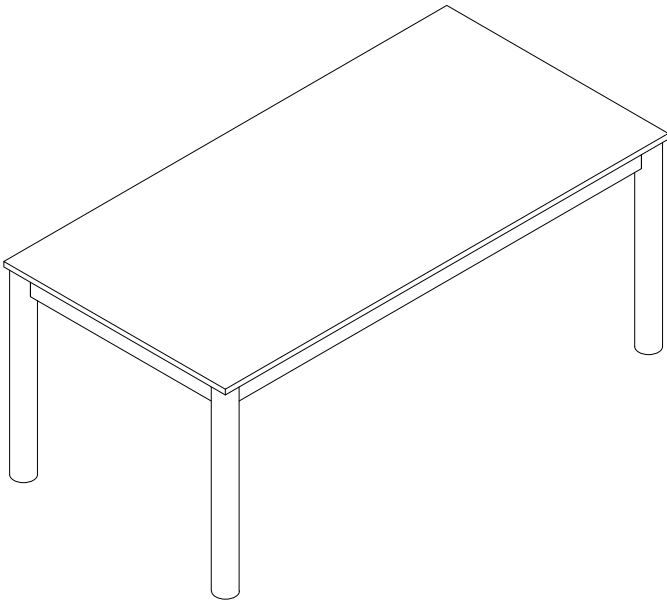


Ollie DT

Assembly Instructions



A*1



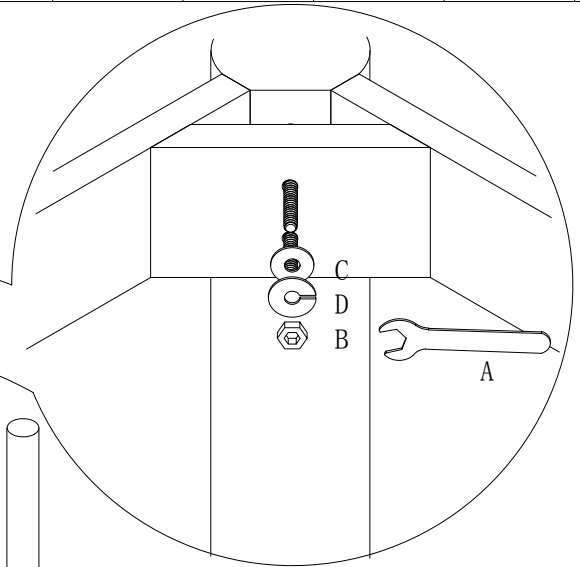
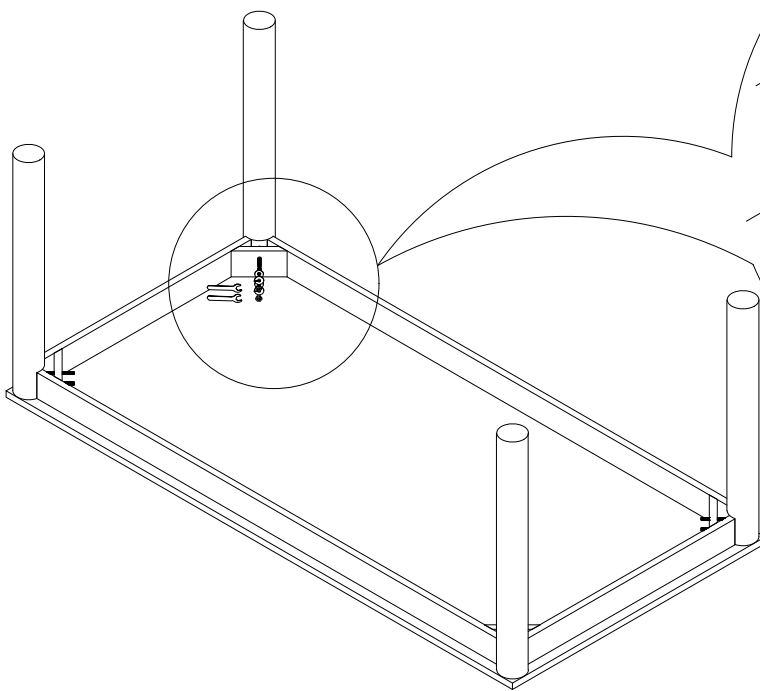
B*8



C*8



D*8



A*1



B*8



C*8



D*8

