

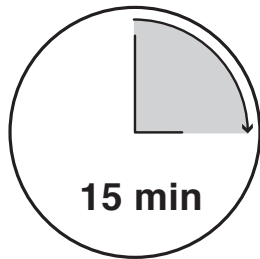
Nadia 670 Sofa, Loveseat and Chair

ASSEMBLY INSTRUCTIONS

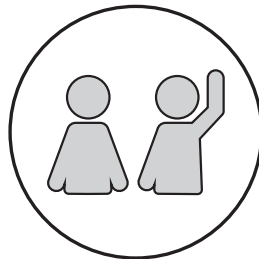
Read these instructions carefully and keep for future reference.

Refer to parts inventory for guidance, and ensure you have all pieces before starting.

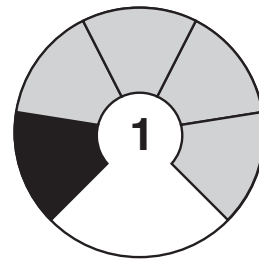
When assembling, place all parts on a soft, clean and flat surface such as a carpet to prevent scratches.



TIME

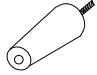


OF PEOPLE

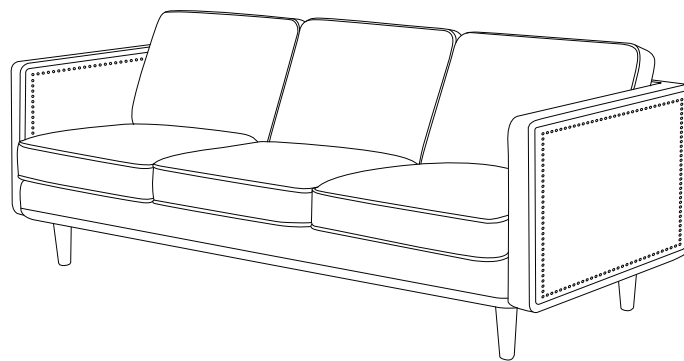


DIFFICULTY

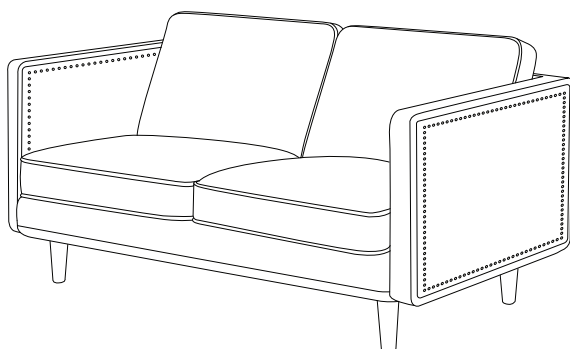
⚠ WARNING Two people required to orientate sofa

PARTS INVENTORY		
ID	DESCRIPTION	QTY
A	Legs 	4

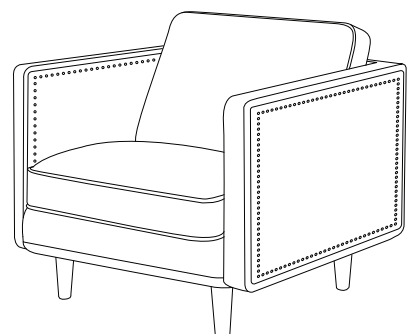
Sofa



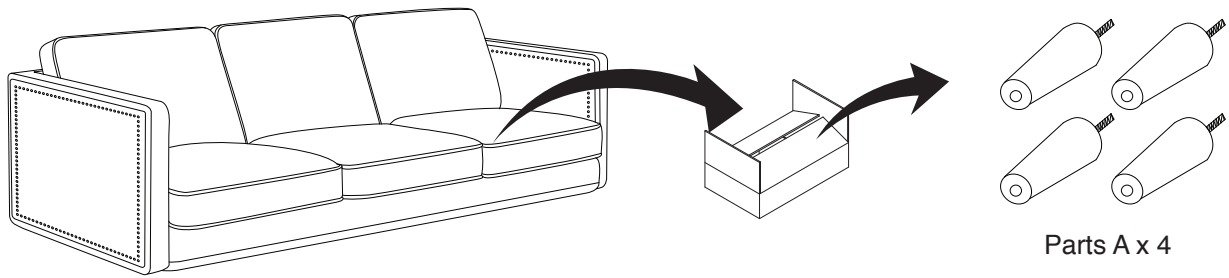
Loveseat



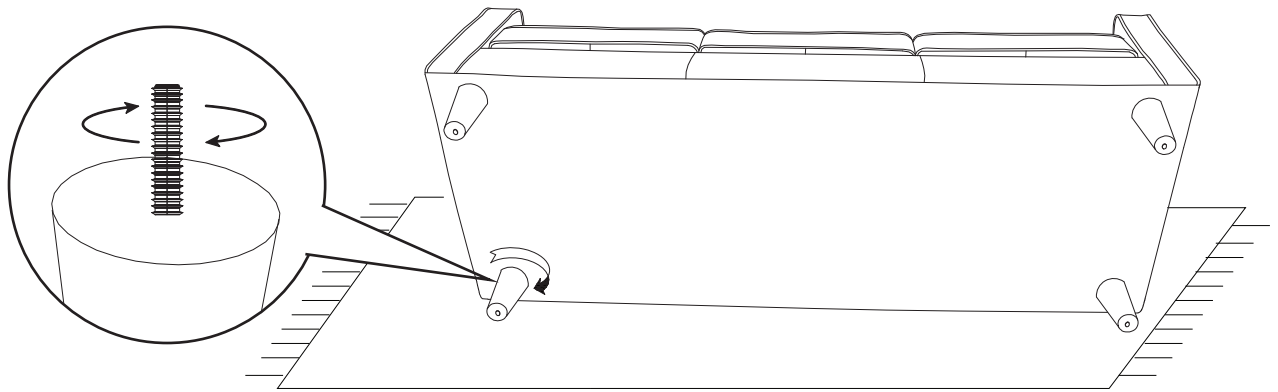
Chair



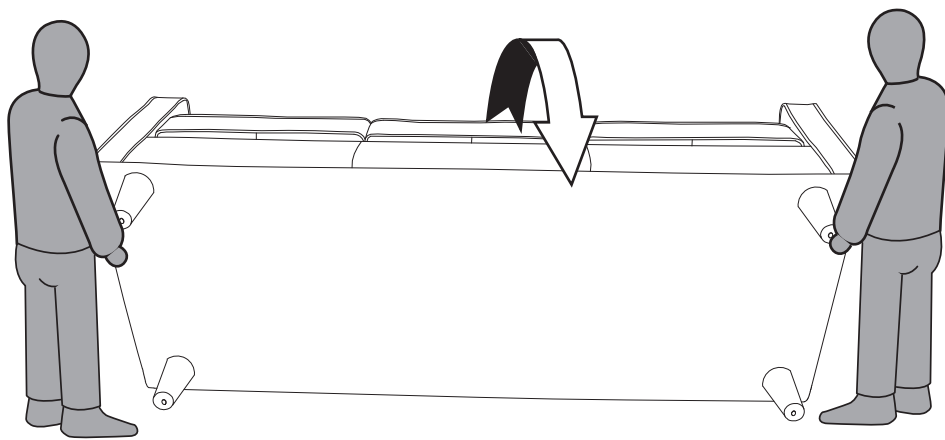
Step 1



Step 2



Step 3



Finished

