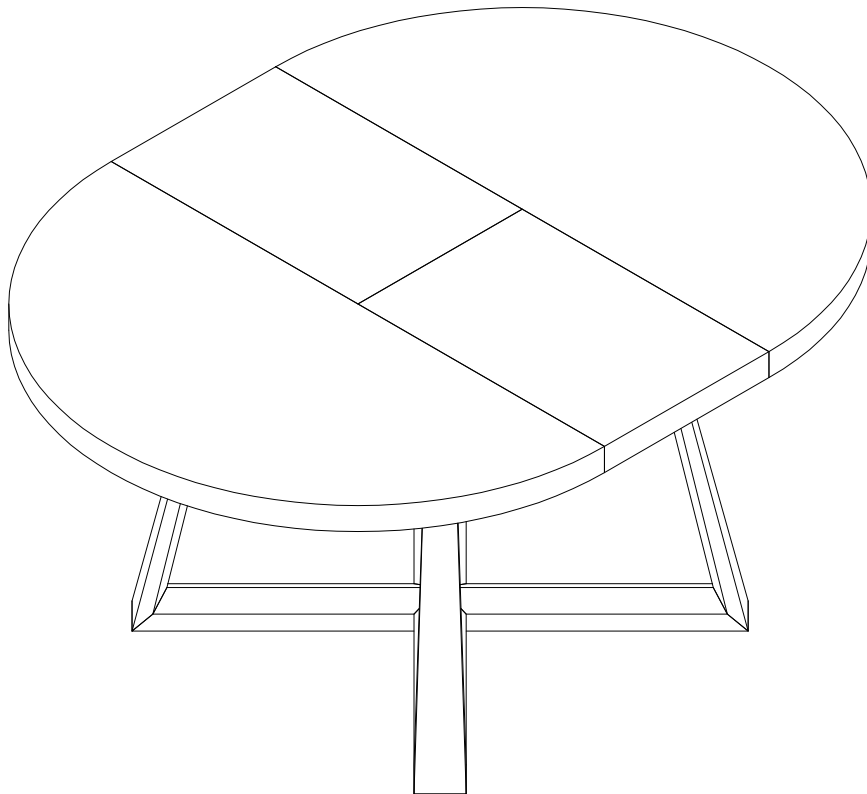


loungelovers

Conrad Extension DT

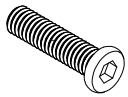
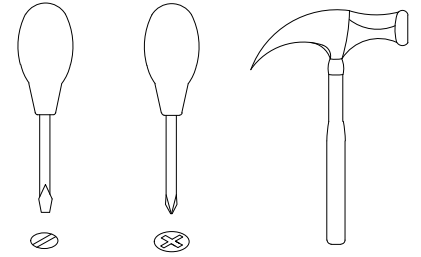
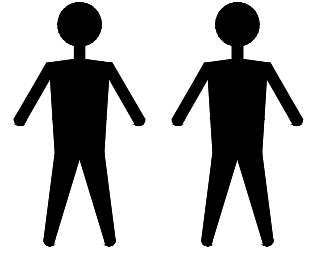
CPM4398D



loungelovers

Conrad Extension DT

CPM4398D



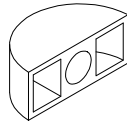
A x6
Spec: 5/16*30



B x6
Spec: Ø8*Ø14



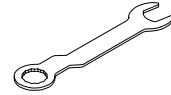
C x2
Spec: M8*L95



D x4
Spec:



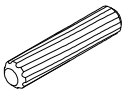
E x4
Spec: M8



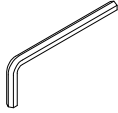
F x2
Spec: 14#



G x1
Spec: 10g

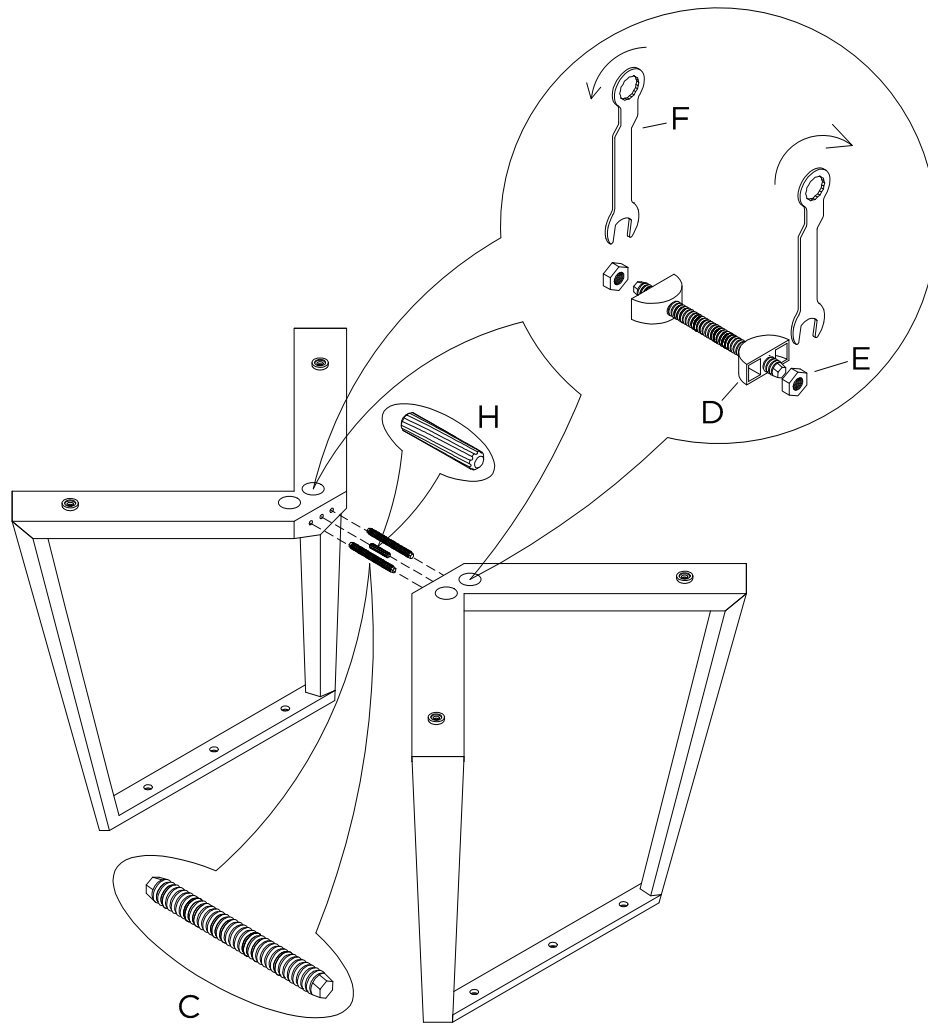


H x1
Spec: Ø10*40

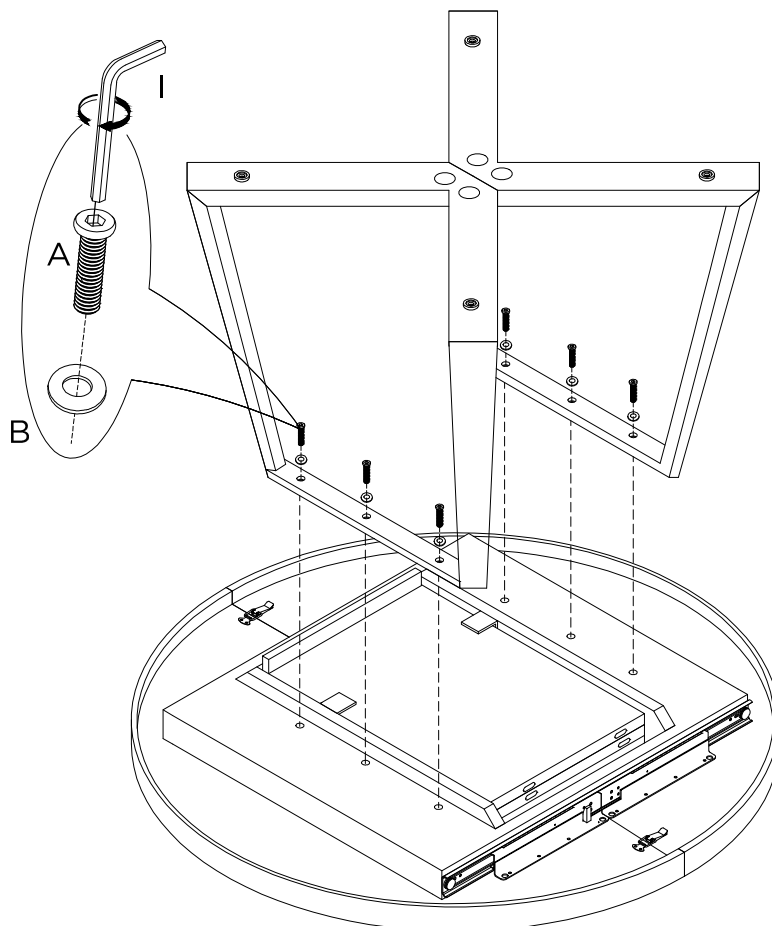


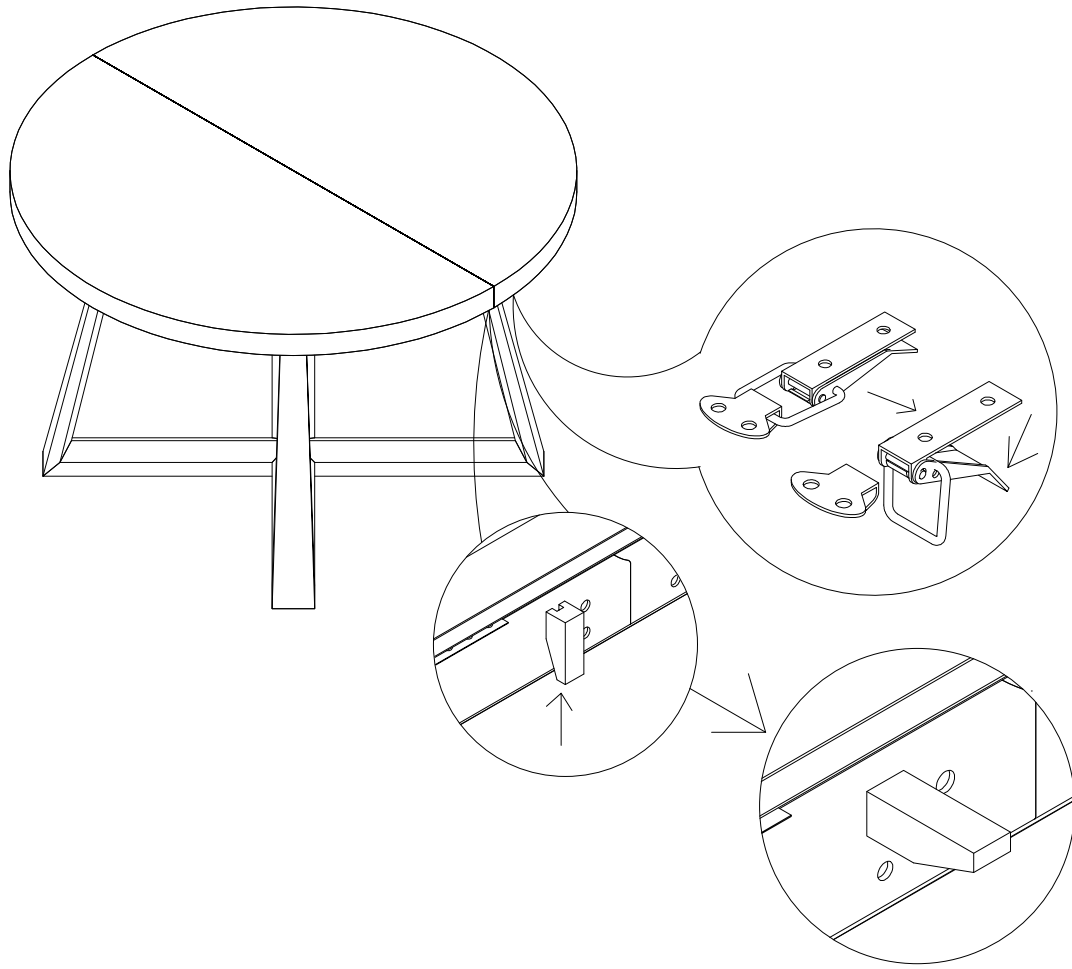
I x1
Spec: 5#

1

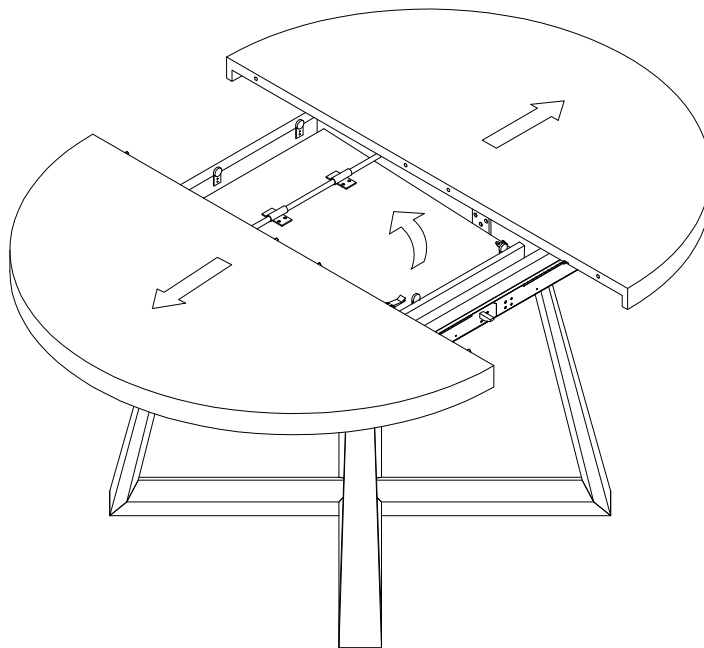


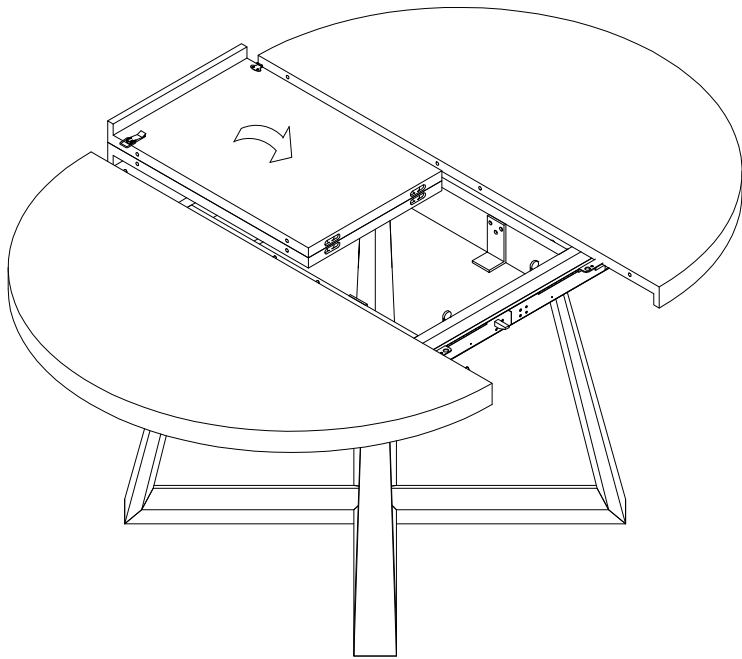
2





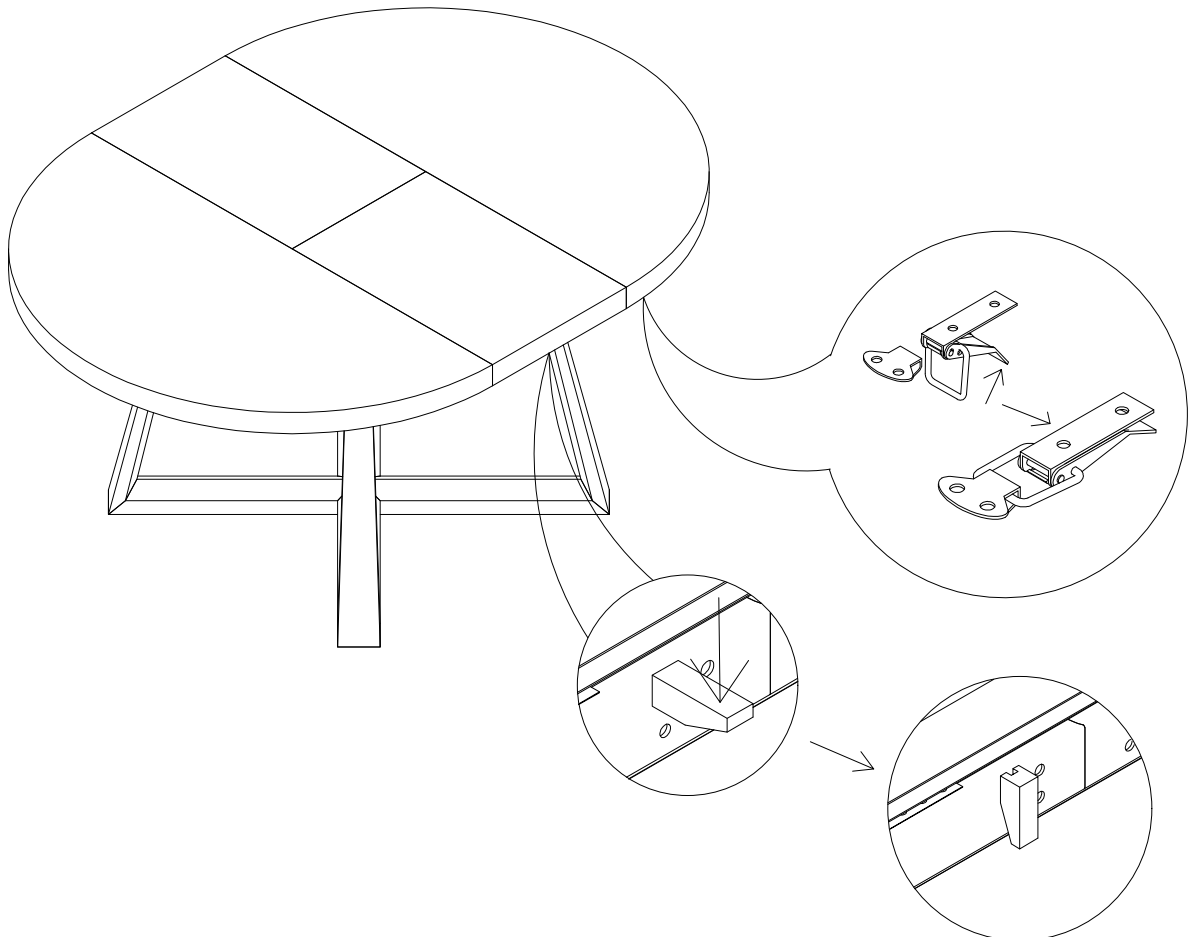
4





5

6



Adjustable Method

