

loungelovers

Dakota Bookshelf

Thank you for purchasing this item. Before you begin to assemble your new piece of furniture please check to ensure that all hardware and parts have been correctly supplied from the below parts description.

Please follow instructions closely as deviation from them may present a possible safety risk, damage the furniture and may void your warranty.

It is recommended that the assembly is done on a soft surface such as a carpet or blanket to avoid any damage the furniture or flooring.

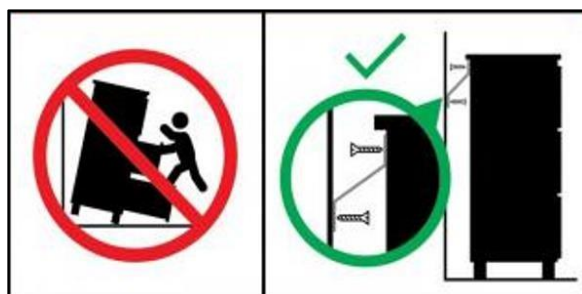
If you experience any problems with your purchase, please contact Lounge Lovers customer care on 1300 738 088 or info@loungelovers.com.au

WARNING: Ensure that the anti-tip strap or brackets are used to fix the furniture to the wall at the end of the assembly process.

To prevent serious injury or death from furniture tipping over, it is critical that you securely attach the anti-tip straps or brackets provided to your wall using the appropriate wall fixings. Children have died from toppling furniture.

IMPORTANT:

- **DO NOT** place toys or other objects that might attract children on top of this furniture.
- **AVOID** opening more than one drawer at a time.
- **DO NOT ALLOW** children to climb on drawers, shelves, or any part of this furniture.
- **PROPER WEIGHT DISTRIBUTION:** Place heavier items in lower drawers or on lower shelves.







loungelovers






DAKOTA ASSEMBLY INSTRUCTIONS

- Do not throw away packaging materials until assembly is complete.
- Assemble this item on a soft surface, such as cardboard or carpet, to protect finish.
- Proper assembly of this item requires 2 people & would require approx, 20 minutes to assemble.
- Do not fully tighten the bolts and screws until the entire product is completely assembled.

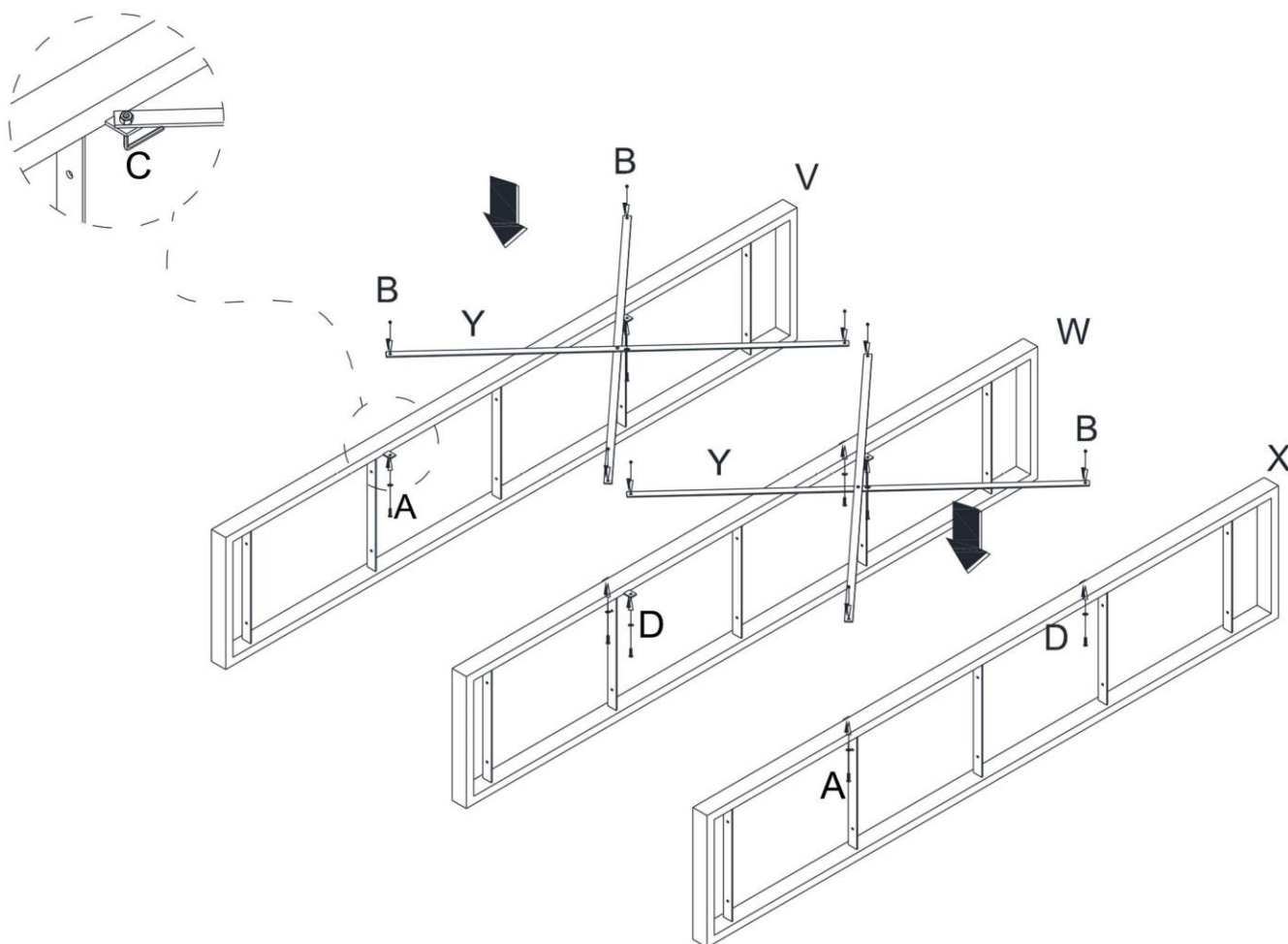
Hardware Kit

A	20X8	B		C	5 MM	D	20X8
							
X38		X8		X1		X8	

Parts

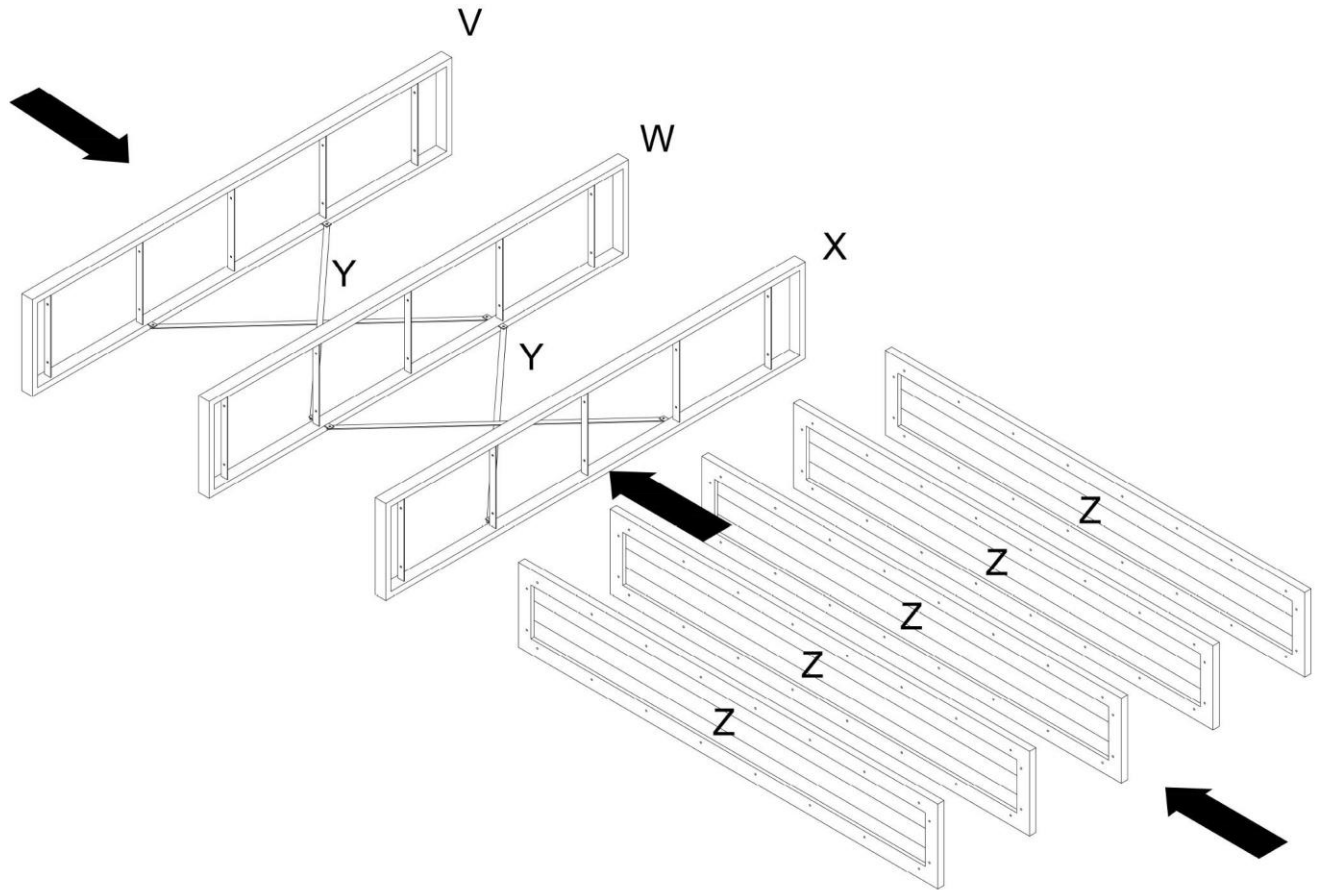
V	W	X	Y	Z
				
X1	X1	X1	X2	X5

Step 1:- Put the X frame (Y) on Iron Shelf stand (V,W&X). Tighten the Bolts (A) with Nuts (B) and Washer (D) to with the help of Allen Key(C).

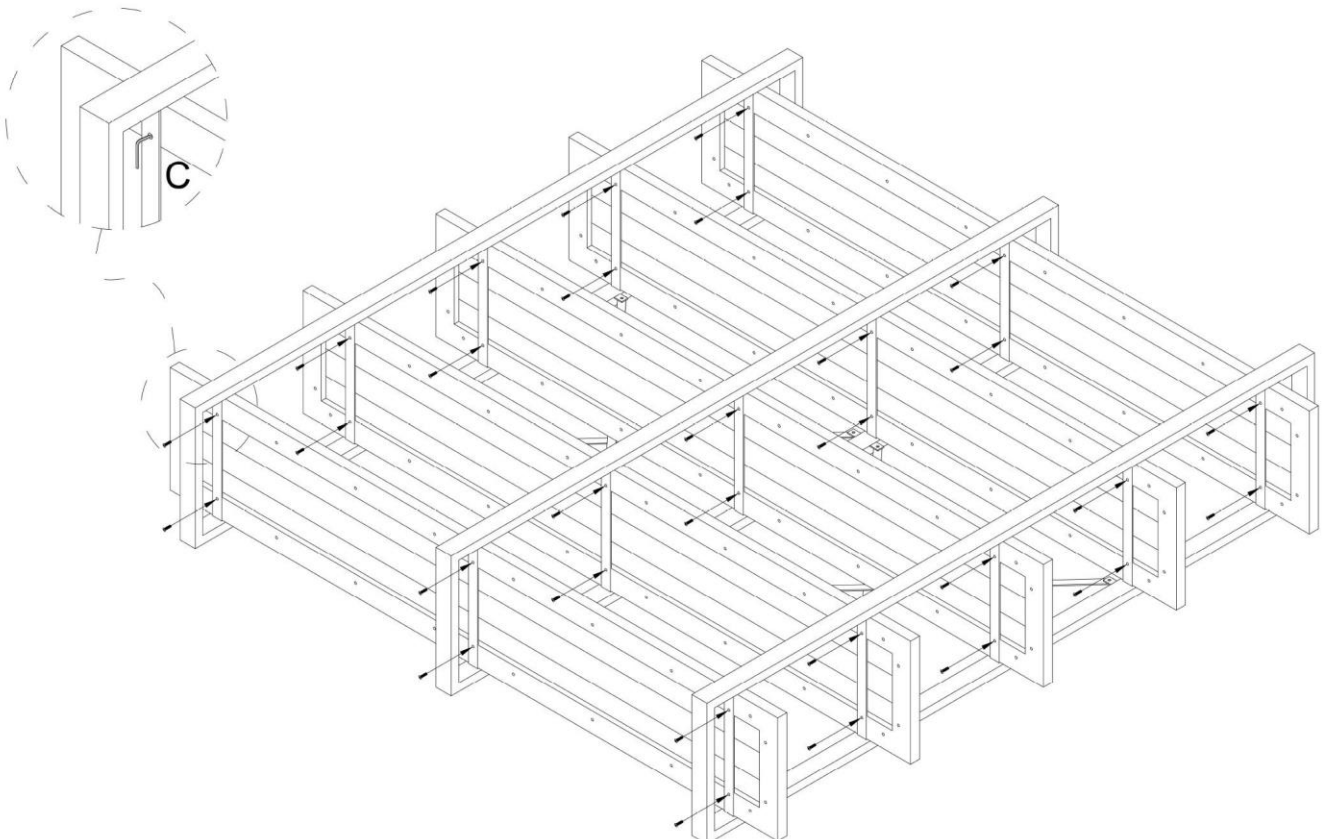


ASSEMBLY INSTRUCTIONS

Step 2:- Put the Wooden Shelf (Z) on Iron Shelf stand.



Step 3:- Tighten the Bolts (A) to lock the Wooden Shelf with the help of Allen Key(C)



loungelovers

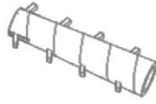
ANTI TIPPING ASSEMBLY INSTRUCTIONS



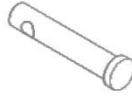
E(X2)



F(X2)



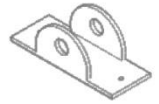
G(X2)



H(X2)



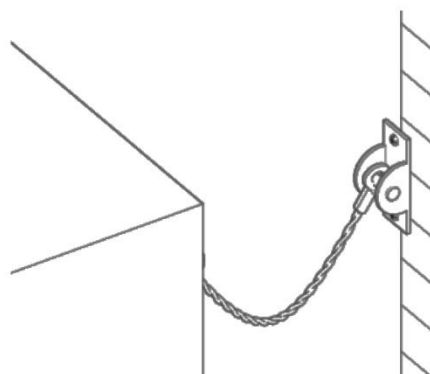
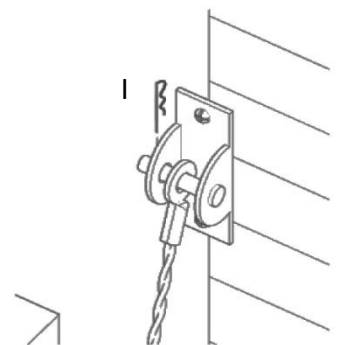
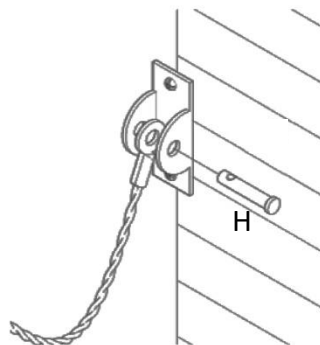
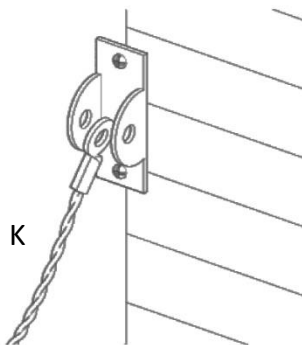
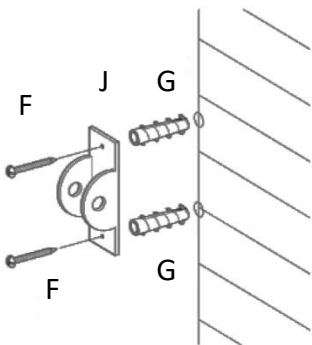
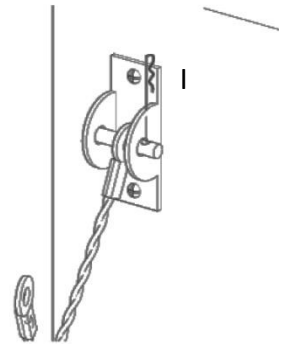
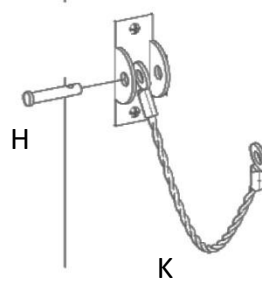
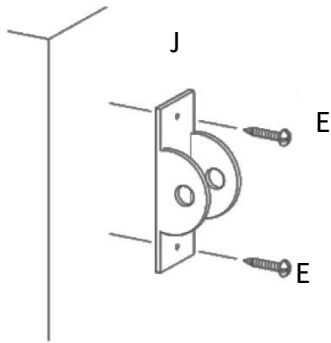
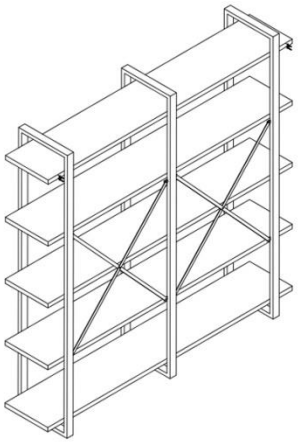
I(X2)



J(X2)

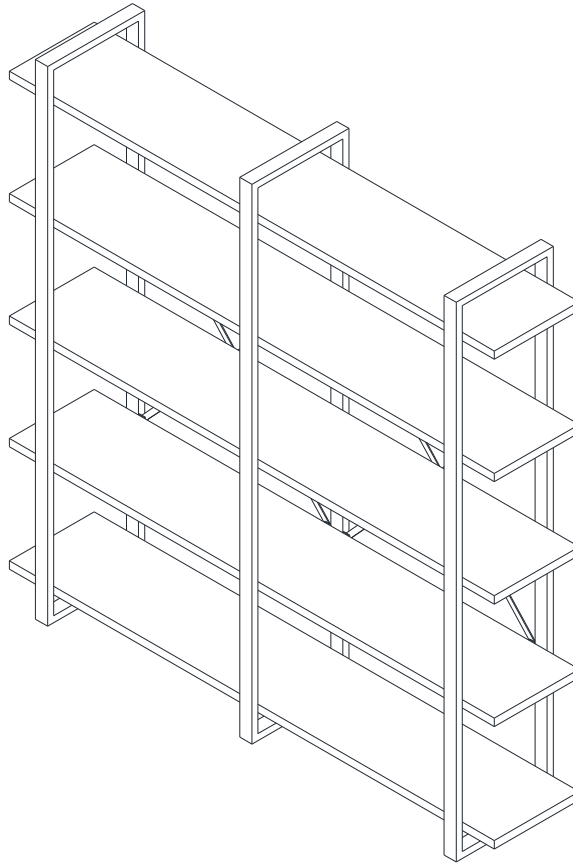


K(X1)



ASSEMBLY INSTRUCTIONS

Your product is ready to use.



Care Instruction :-

1. Wipe with a soft ,dry cloth to protect the timber finish. Avoid the use of chemicals and household cleaners.
2. Immediately wipe any spilled liquid with a clean damp cloth.
3. Avoid placing in direct sunlight or near a heat source.
4. Maintain a consistent temperature in your home. Dramatic temperate changes can affect the humidity levels which create moisture in the Air.
5. Not suitable for outdoor use.
6. Do not drag the book shelf as this may cause the fitting to loosen.
7. Protect furniture from pets.
8. To protect your furniture, we recommend using heat resistant mats and coasters.

WARNING : Prevent Toppling Hazards

To ensure safety, secure your furniture to prevent tipping, which can cause serious injury or death. Follow these steps:

- **Use Anti-Tip Devices:** Always install the provided anti-tip restraints to anchor furniture to the wall.
- **Proper Weight Distribution:** Place heavier items in lower drawers or on lower shelves.
- **Prevent Climbing:** Supervise children and do not allow them to climb or hang on drawers, doors, or shelves.
- **Avoid Heavy Items on Top:** Do not place heavy items on top of furniture, including TV's unless the item is designed for such use.
- **Test Stability:** After assembly, check stability by gently pulling on drawers, doors, or shelves.
- **Regular Checks:** Periodically inspect anchoring devices and furniture stability.

Stay Safe: Anchor Your Furniture Properly



CAUTION: When attaching the anti-tip fixings:

- **CHECK** for electrical wires or plumbing inside the wall before drilling any holes. If you are unsure, seek professional advice.
- **UNDERSTAND** that walls are made from different materials (e.g. solid brick, hollow plasterboard), and it's important to use the correct wall fixings for your wall type.

Your local hardware store can provide the necessary drills and fixings and offer advice if needed or seek professional advice from a tradesman.

AFTER ASSEMBLY:

PERFORM A STABILITY TEST to ensure the furniture is stable and securely anchored. Gently push the furniture to confirm it does not wobble or tip over.

PERIODIC CHECKS:

REGULARLY INSPECT the furniture to ensure that the anti-tip straps or brackets remain securely attached to both the furniture and the wall. Tighten any loose fixings immediately.