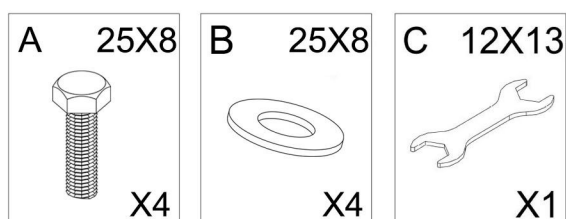


loungelovers

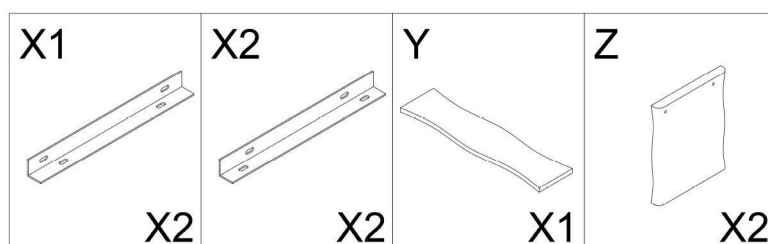
DAKOTA ASSEMBLY INSTRUCTIONS

- Do not throw away packaging materials until assembly is complete.
- Assemble this item on a soft surface, such as cardboard or carpet, to protect finish.
- Proper assembly of this item requires 2 people & would require approx, 20 minutes to assemble.
- Do not fully tighten the bolts and screws until the entire product is completely assembled.

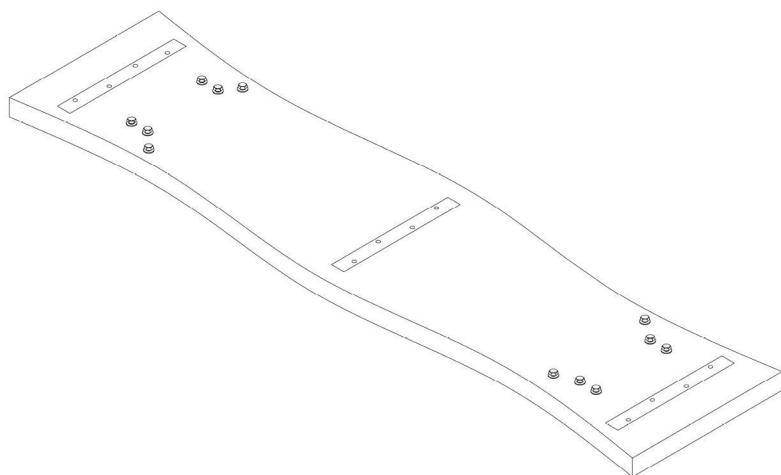
Hardware Kit



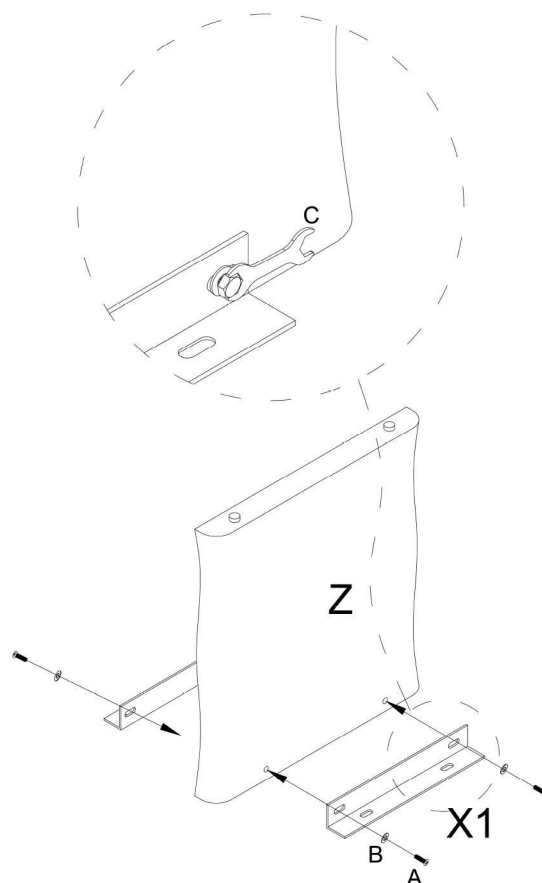
Parts



Step 1:- Bolts are screwed in table top so please open then up to start assembling your table.



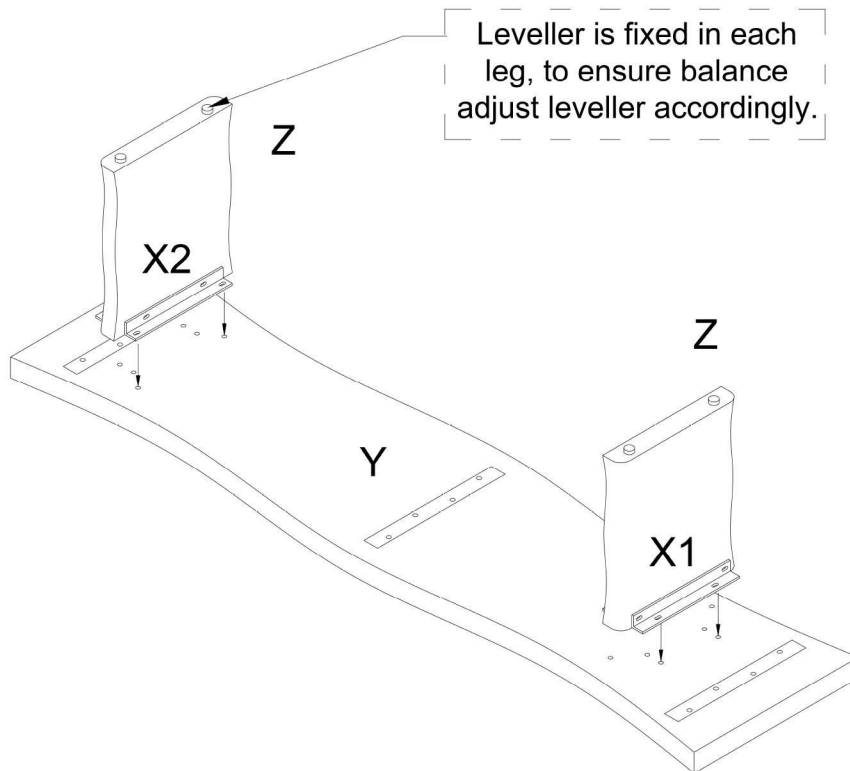
Step 2:- Put the L angle (X) on Wooden Leg (Z). Tighten the Bolts (A) to lock the Legs with the help of spanner (C)



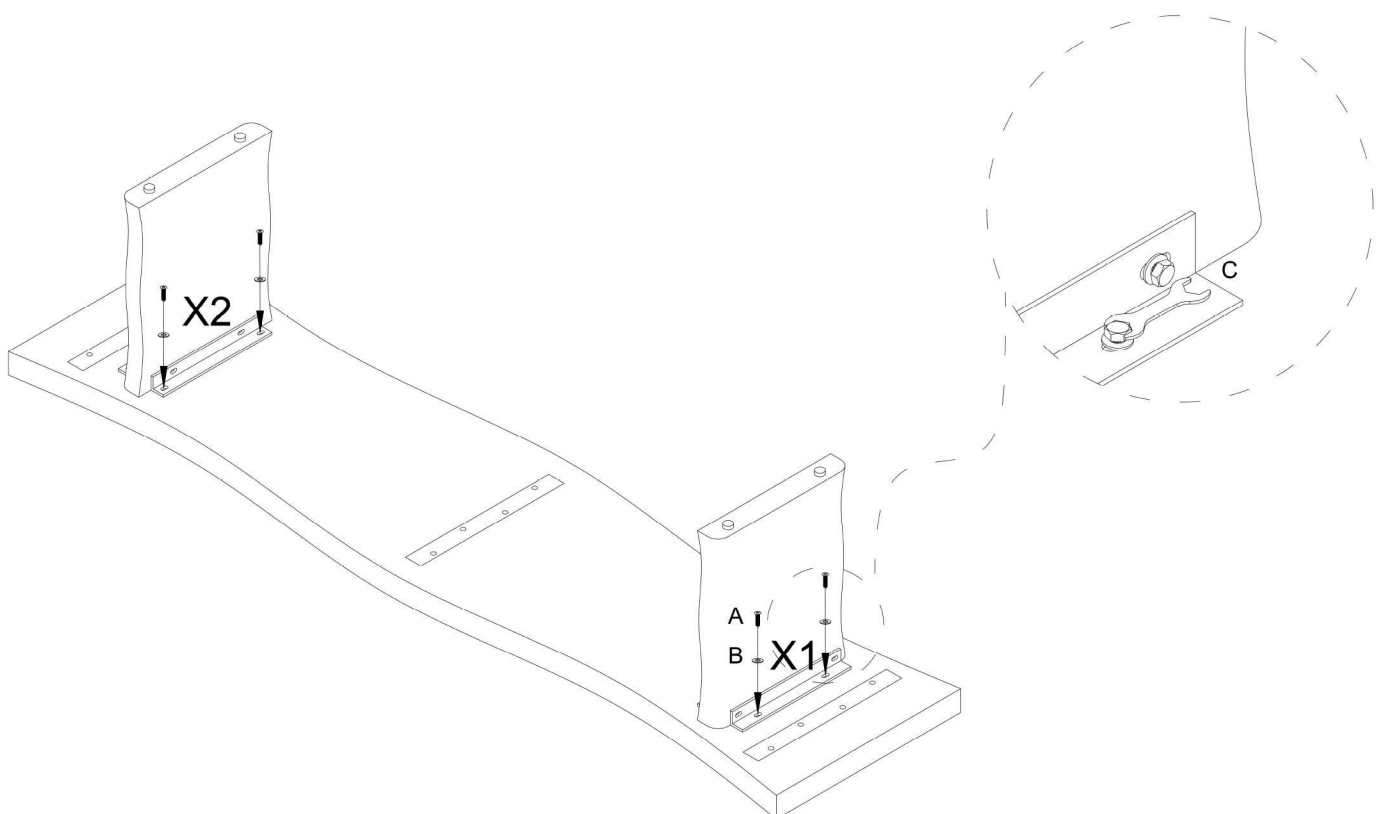
Remark:- 12 bolts already tightened in the top and 04 bolts are in the hardware bag.

ASSEMBLY INSTRUCTIONS

Step 3:- Put the legs (Z) on Wooden Top (Y)

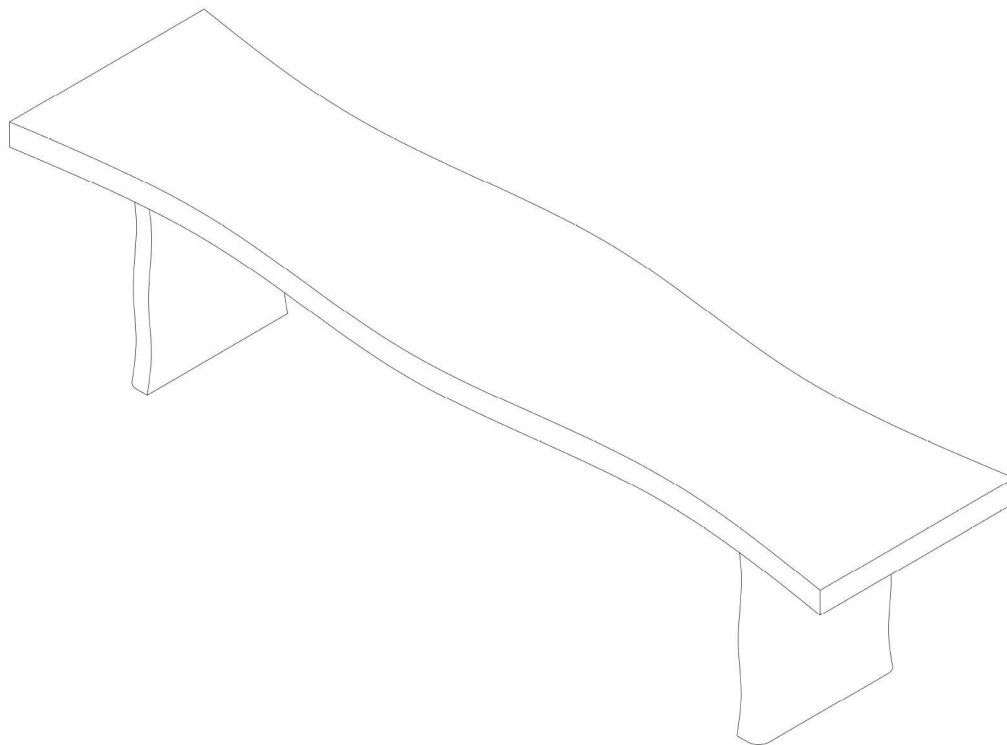


Step 4:- Tighten the Bolts (A) to lock the Legs with the help of spanner(C)



ASSEMBLY INSTRUCTIONS

Step 5:- Your product is ready to use.



Care Instruction :-

1. Wipe with a soft dry cloth to protect the timber finish.
Avoid the use of chemicals and household cleaners.
2. Immediately wipe any spilled liquid with a clean damp cloth.
3. Avoid placing in direct sunlight or near a heat source.
4. Maintain a consistent temperature in your home. Dramatic temperature changes can affect the humidity levels which create moisture in the air.
5. Not suitable for outdoor use.
6. Do not drag the table as this may cause the fittings to loosen.
7. Protect furniture from pets.
8. To protect your furniture, we recommend using heat resistant mats and coasters.