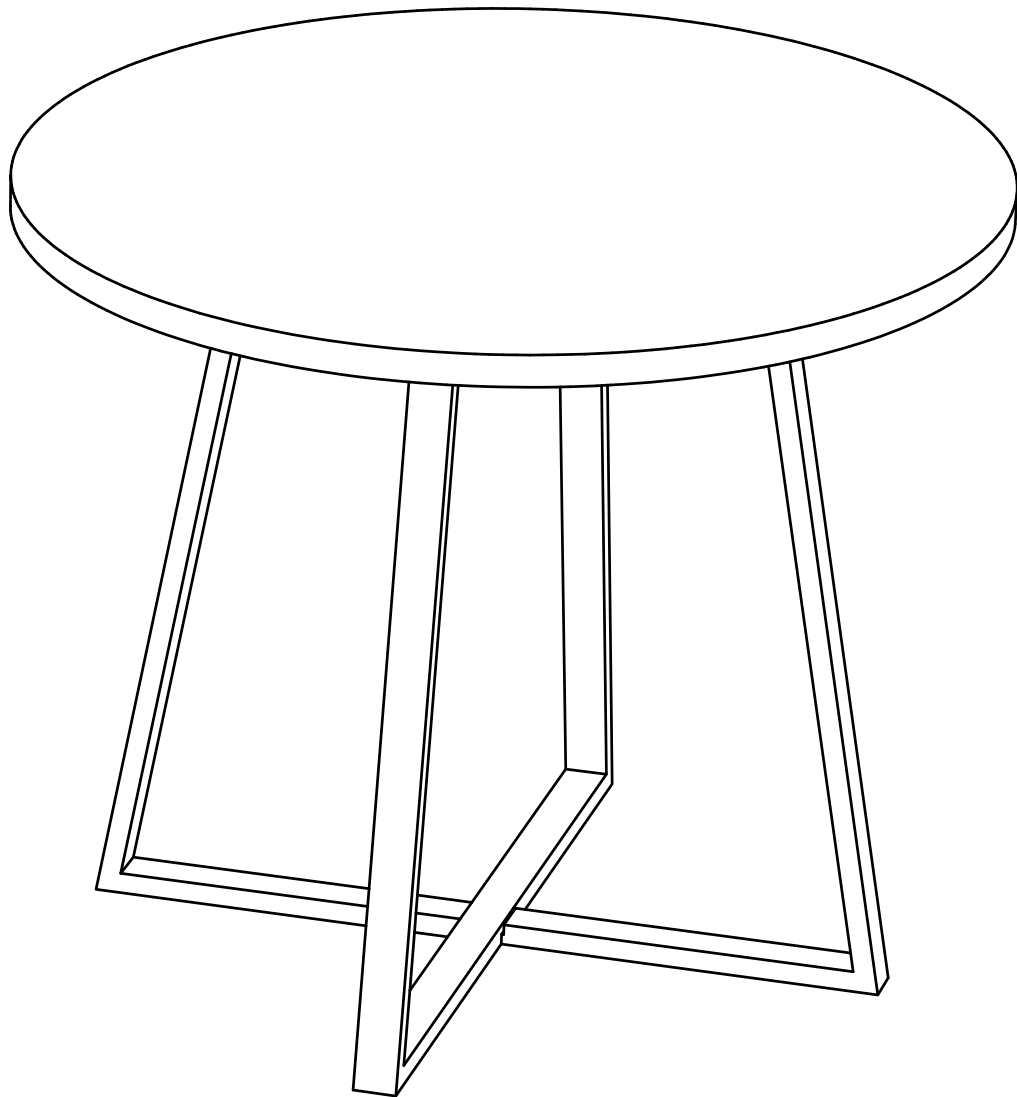


# loungelovers

## COCO DINING TABLE



D90x76Cm



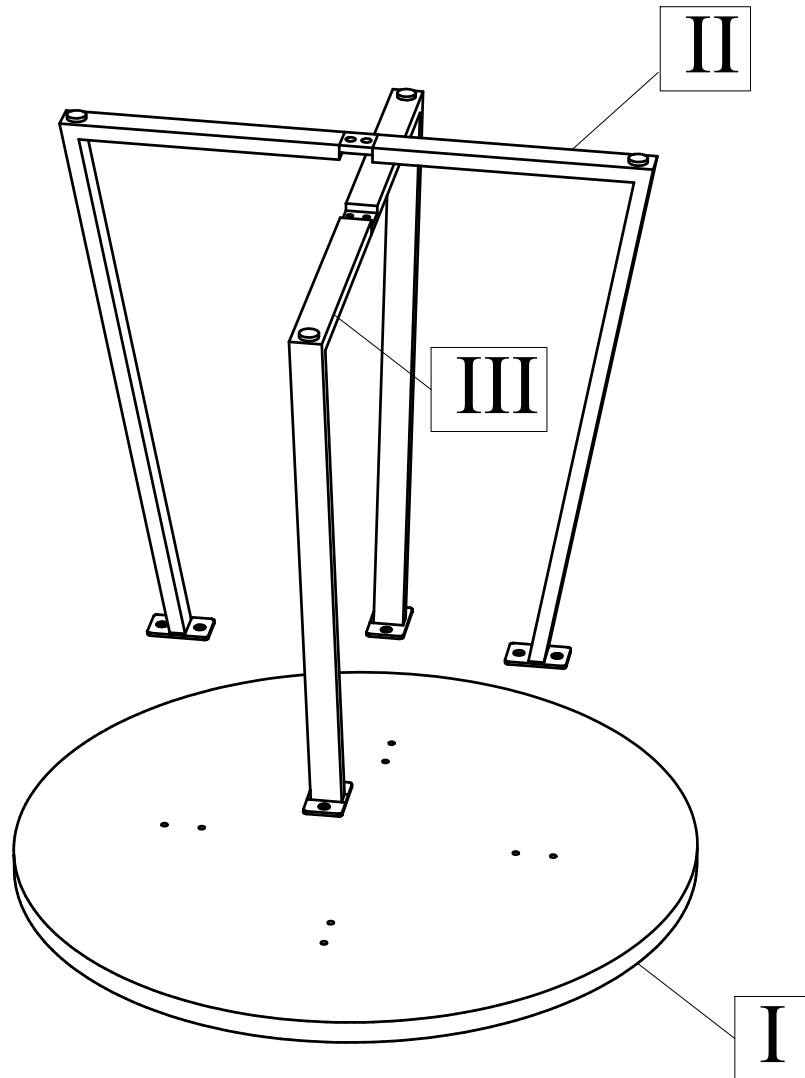
x2



20'


# loungelovers

## COCO DINING TABLE



Ⓐ Bolt M6x20  x10

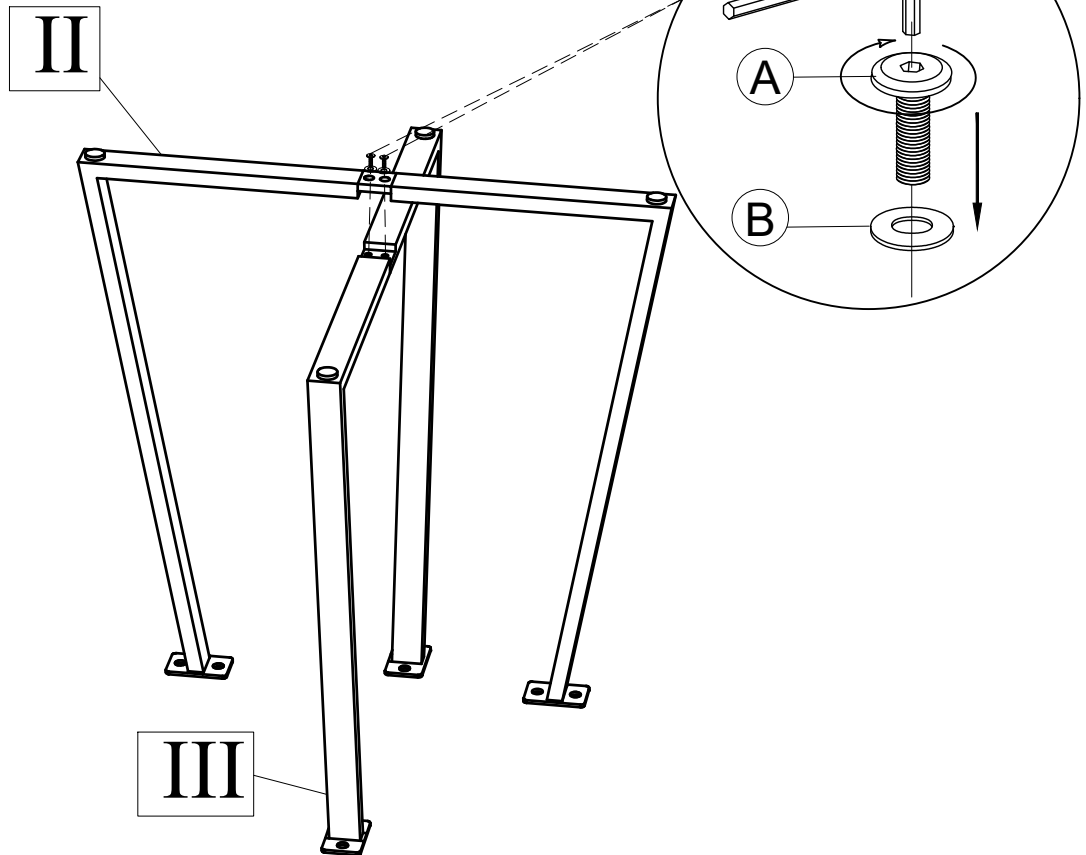
Ⓑ Flat washer M6X16  x10

Ⓒ Allen Key M4x60  x1

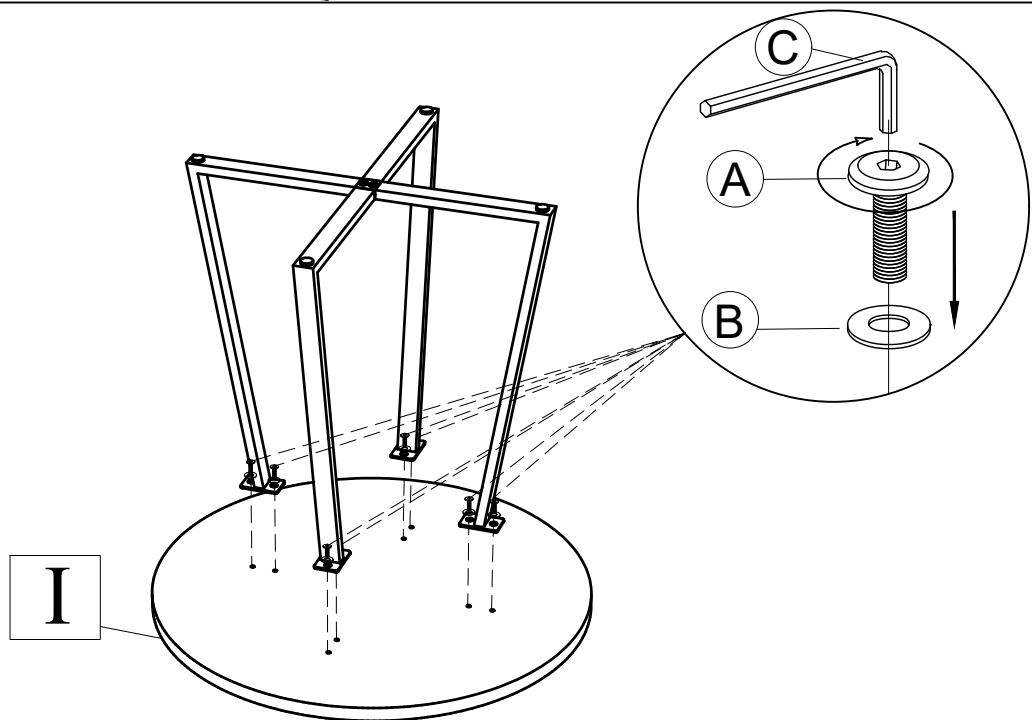
# loungelovers

## COCO DINING TABLE

1



2



**Step 1:** Turn half way 50% => Loosely install the 8 bolts to ensure the bolt holes line up.

**Step 2:** Tightening 100% => Tighten the bolts to fully secure the table top to the base

# loungelovers

## COCO DINING TABLE

3

