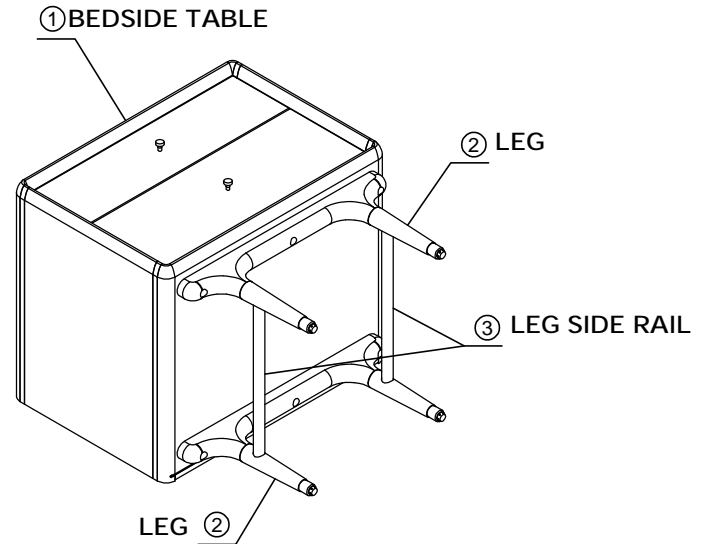
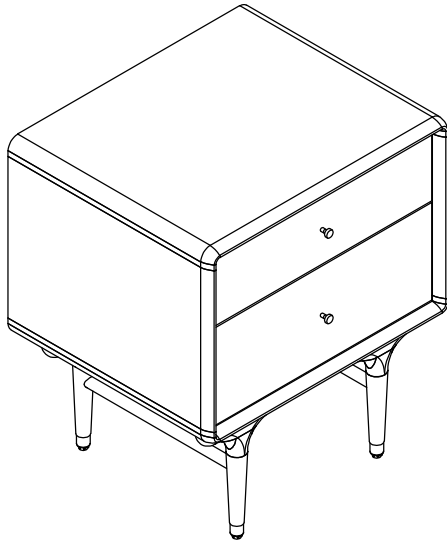




loungelovers

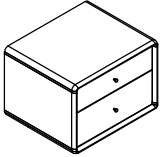
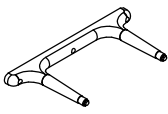
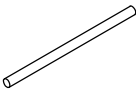
MANHATTAN BEDSIDE 2 DRAWER

INSTRUCTION SHEET 1/3

- Thank you for purchasing this quality product.
- Please do not discard any of the packing material until you have checked all the part for fitting.
- Before you begin to assemble your new piece of furniture, please check that all part have been supplied.
- It is recommended that assembly is done on soft surface like carpet to avoid any damage.



HARDWARE LIST			
NO.	DESCRIPTION		QTY.
A		ALLEN KEY M4	1 pc
LEG HARDWARE			
B		JCBC SCREW M6×40	6 pcs
		SPRING WASHER M6	6 pcs
		FLAT WASHER M6×13	6 pcs

PARTS LIST			
NO.	DESCRIPTION		QTY
1		BEDSIDE TABLE	1 pc
2		LEG	2 pcs
3		LEG SIDE RAIL	2 pcs

TOOL REQUIRED (NOT PROVIDED)



PHILLIPS SCREW DRIVER

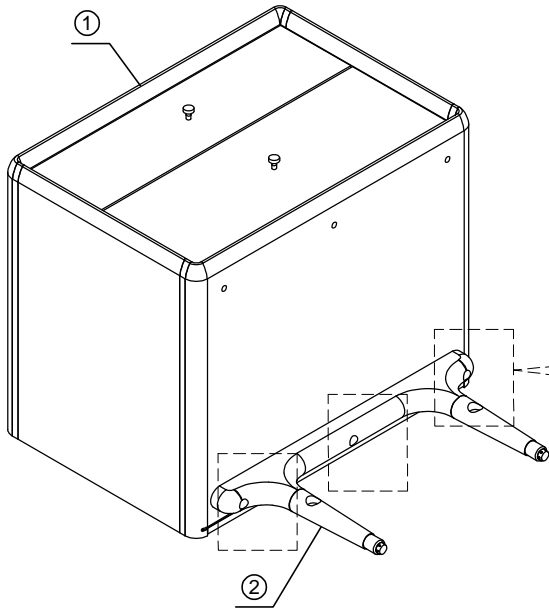
loungelovers





MANHATTAN BEDSIDE 2 DRAWER

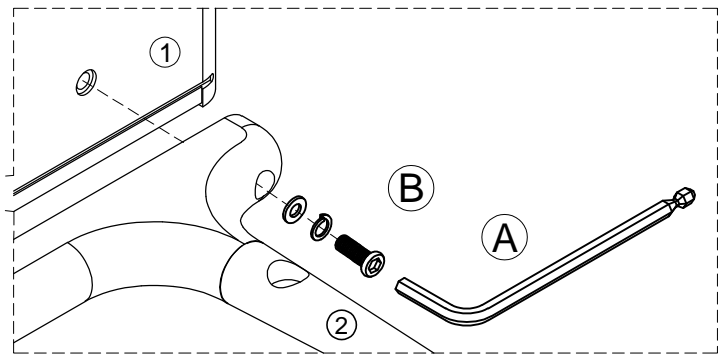
INSTRUCTION SHEET 2/3

STEP 1

Assemble part (1) and (2).



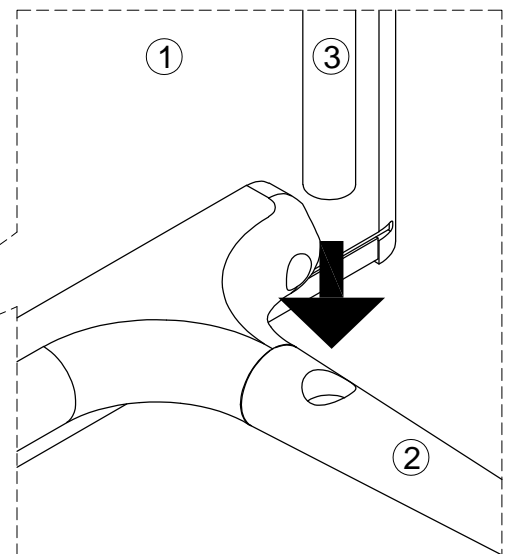
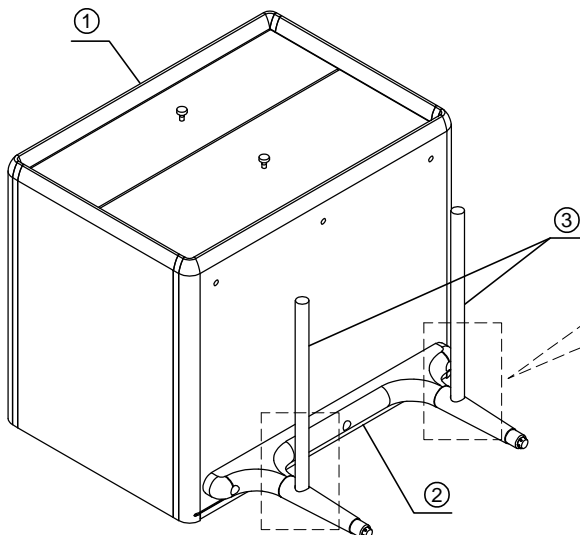
A	ALLEN KEY M4 	x 1
B	JCBC SCREW M6x40 	x 3
	SPRING WASHER M6 	x 3
	FLAT WASHER M6x13 	x 3



Kindly ensure all screws are inserted into the correct position before tightening.

STEP 2

Assemble part (3).



MADE IN MALAYSIA

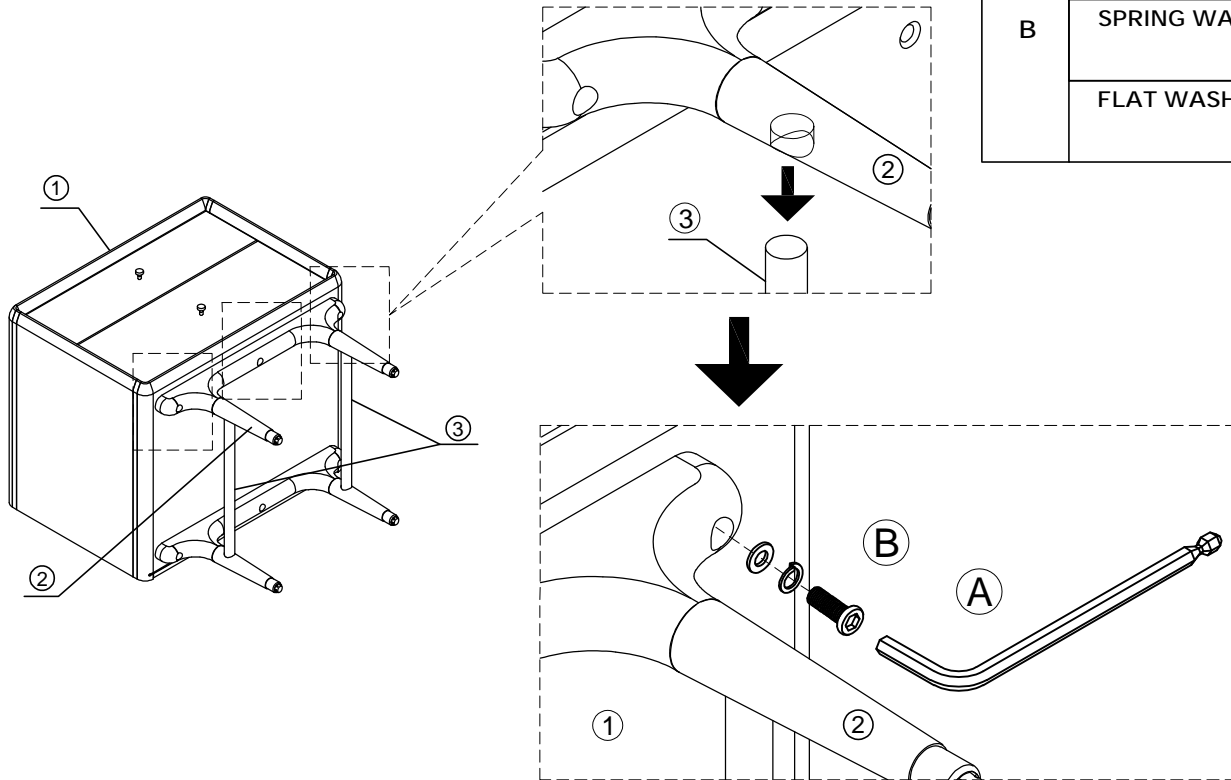
loungelovers

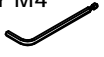



MANHATTAN BEDSIDE TABLE

INSTRUCTION SHEET 3/3

STEP 3

Assemble part (2).



A	ALLEN KEY M4 	x 1
B	JCBC SCREW M6x40 	x 3
	SPRING WASHER M6 	x 3
	FLAT WASHER M6x13 	x 3

Kindly ensure all screws are inserted into the correct position before tightening.