

lounge lovers

MANHATTAN DESK

Thank you for purchasing this item. Before you begin to assemble your new piece of furniture please check to ensure that all hardware and parts have been correctly supplied from the below parts description.

Please follow instructions closely as deviation from them may present a possible safety risk, damage the furniture and may void your warranty.

It is recommended that the assembly is done on a soft surface such as a carpet or blanket to avoid any damage the furniture or flooring.

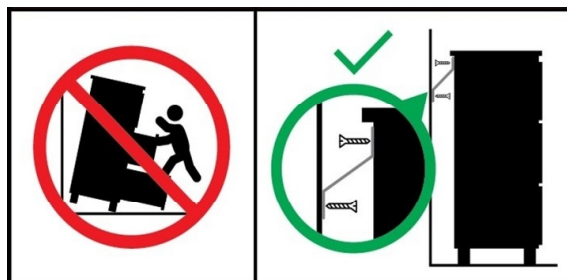
If you experience any problems with your purchase, please contact Lounge Lovers customer care on 1300 738 088 or info@lounge lovers.com.au

WARNING: Ensure that the anti-tip strap or brackets are used to fix the furniture to the wall at the end of the assembly process.

To prevent serious injury or death from furniture tipping over, it is critical that you securely attach the anti-tip straps or brackets provided to your wall using the appropriate wall fixings. Children have died from toppling furniture.

IMPORTANT:

- **DO NOT** place toys or other objects that might attract children on top of this furniture.
- **AVOID** opening more than one drawer at a time.
- **DO NOT ALLOW** children to climb on drawers, shelves, or any part of this furniture.
- **PROPER WEIGHT DISTRIBUTION:** Place heavier items in lower drawers or on lower shelves.

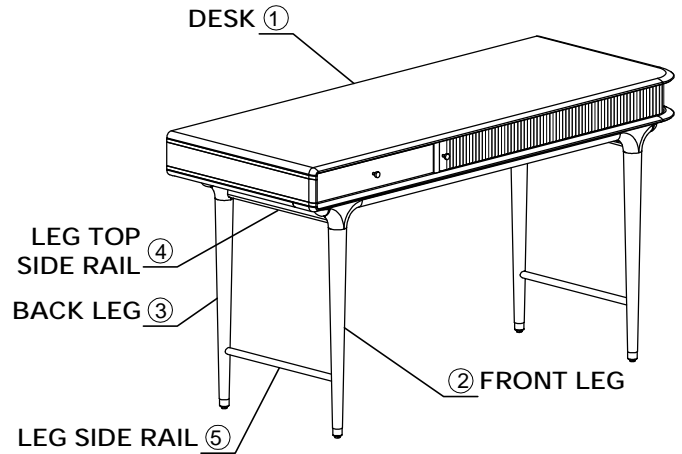
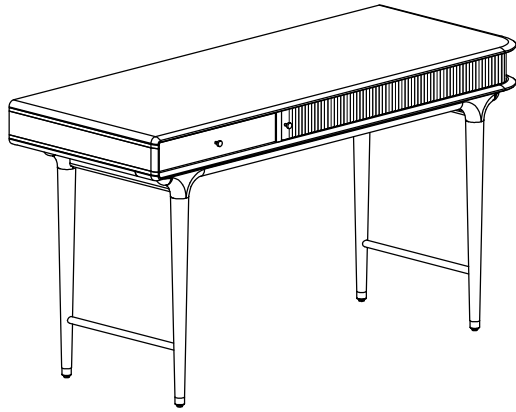


loungelovers


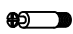


MANHATTAN DESK

INSTRUCTION SHEET 1/6

- Thank you for purchasing this quality product.
- Please do not discard any of the packing material until you have checked all the part for fitting.
- Before you begin to assemble your new piece of furniture, please check that all part have been supplied.
- It is recommended that assembly is done on soft surface like carpet to avoid any damage.



HARDWARE LIST

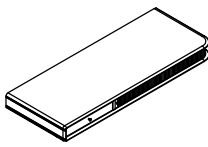
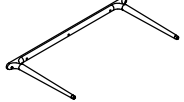
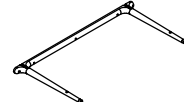
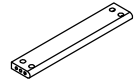
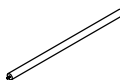
NO.	DESCRIPTION	QTY.
A	 ALLEN KEY M4	1 pc
LEG TOP SIDE RAIL HARDWARE		
B	 DOWEL M8×30	4 pcs
C	 MINIFIX P-BOLT	8 pcs
D	 MINIFIX HOUSING	8 pcs
E	 MINIFIX CAP-HOLE PLUG	8 pcs
LEG HARDWARE		
F	 JCBC SCREW M6×40	10 pcs
	 SPRING WASHER M6	10 pcs
	 FLAT WASHER M6×13	10 pcs
G	 TH MS M4×22	2 pcs
H	 WOOD BUTTON Ø11×8.5	2 pcs
ANTI TIPPING KIT		
I	 FURNITURE TIPPING RESTRAINT	1 set

TOOL REQUIRED (NOT PROVIDED)



PHILLIPS SCREW DRIVER

PARTS LIST

NO.	DESCRIPTION	QTY.
1	 DESK	1 pc
2	 FRONT LEG	1 pc
3	 BACK LEG	1 pc
4	 LEG TOP SIDE RAIL	2 pcs
5	 LEG SIDE RAIL	2 pcs

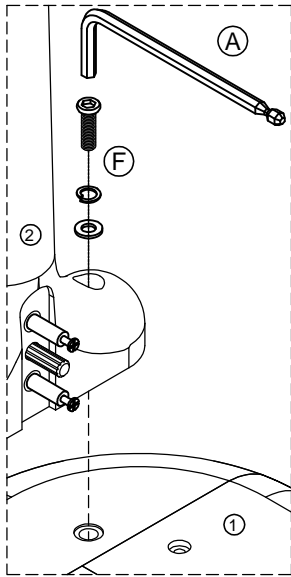
loungelovers

MANHATTAN DESK

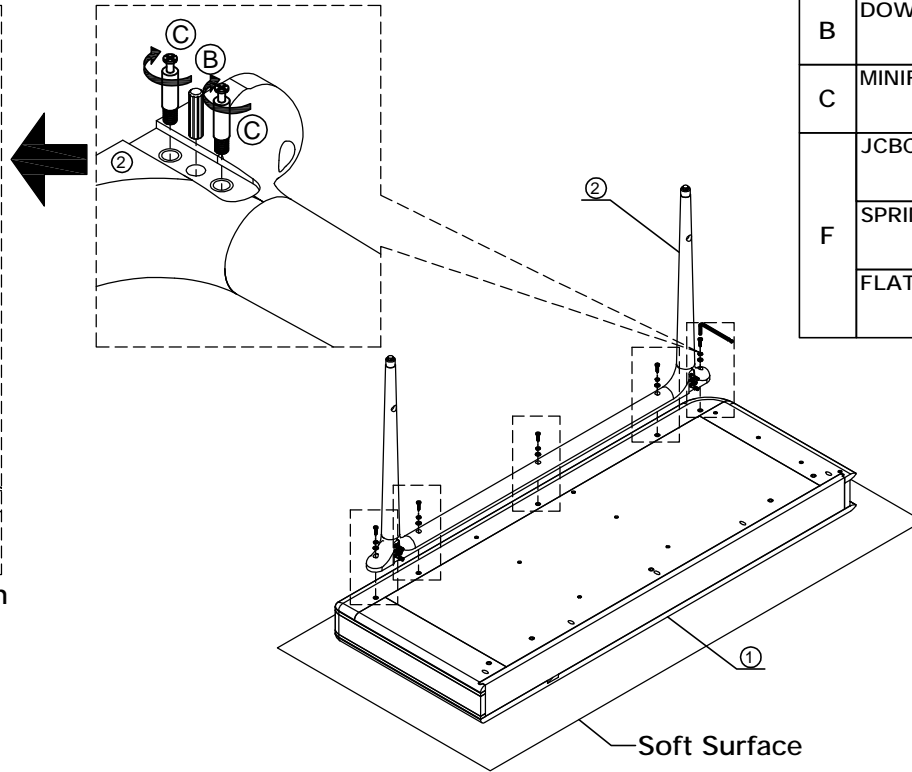
INSTRUCTION SHEET 2/6

STEP 1

Assemble part (1) and (2).



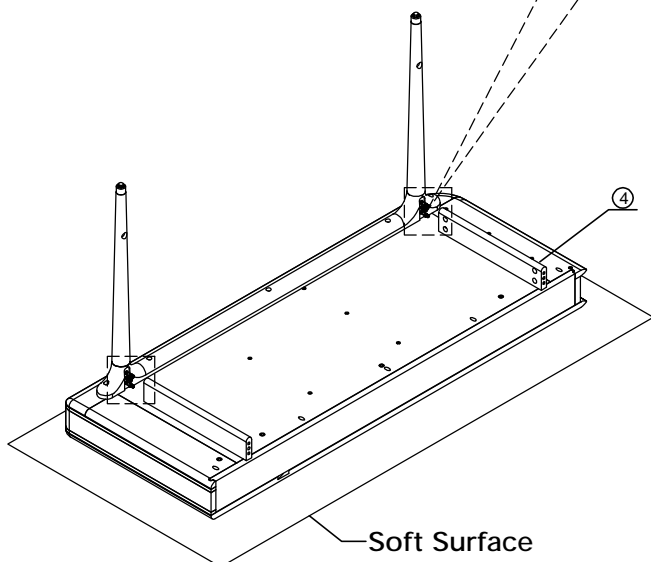
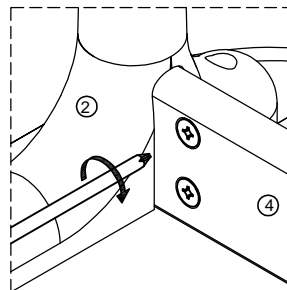
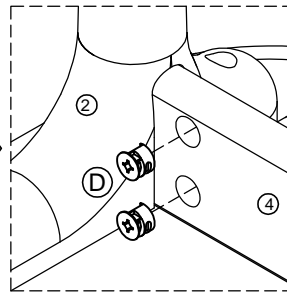
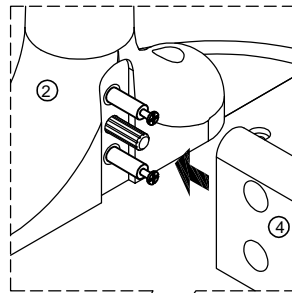
Don't not fully tighten all screw.



A	ALLEN KEY M4	x1
B	DOWEL M8x30	x2
C	MINIFIX P-BOLT	x4
F	JCBC SCREW M6x40	x5
	SPRING WASHER M6	x5
	FLAT WASHER M6x13	x5

STEP 2

Assemble part (4).



D	MINIFIX HOUSING	x4
---	-----------------	----

MADE IN MALAYSIA

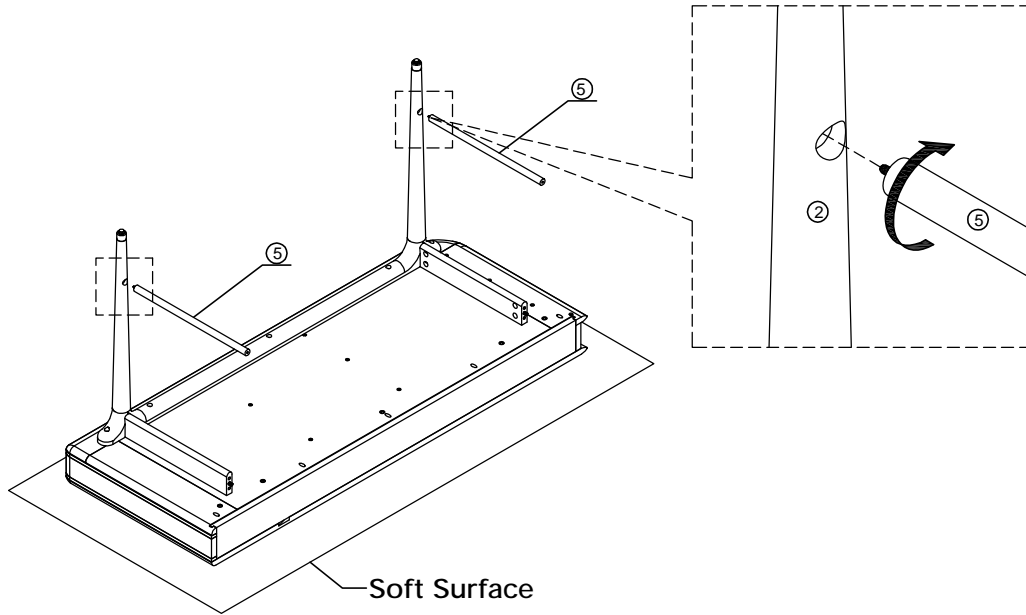
loungelovers

MANHATTAN DESK

INSTRUCTION SHEET 3/6

STEP 3

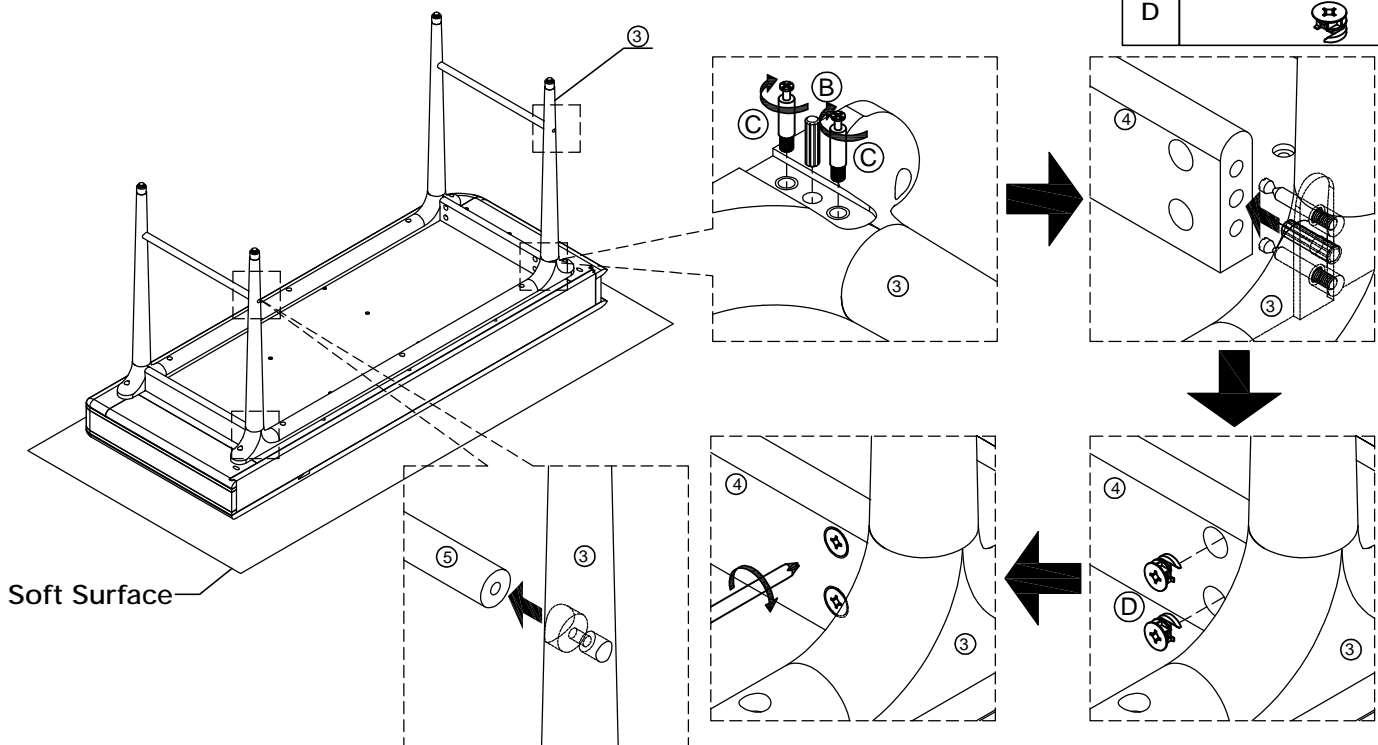
Assemble part (5).



STEP 4

Assemble part (3).

B	DOWEL M8x30	x2
C	MINIFIX P-BOLT	x4
D	MINIFIX HOUSING	x4



MADE IN MALAYSIA

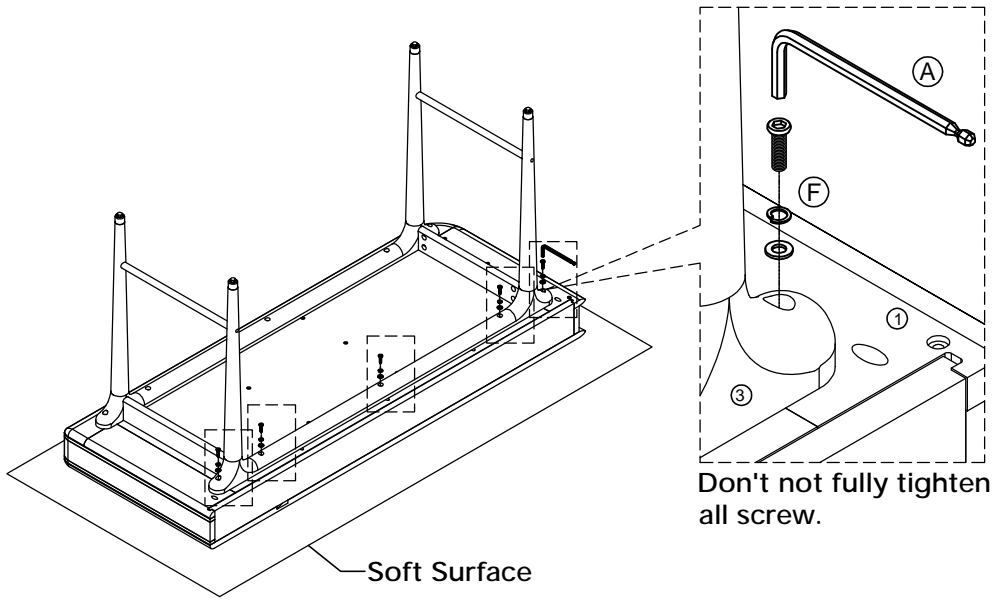
loungelovers

MANHATTAN DESK

INSTRUCTION SHEET 4/6

STEP 5

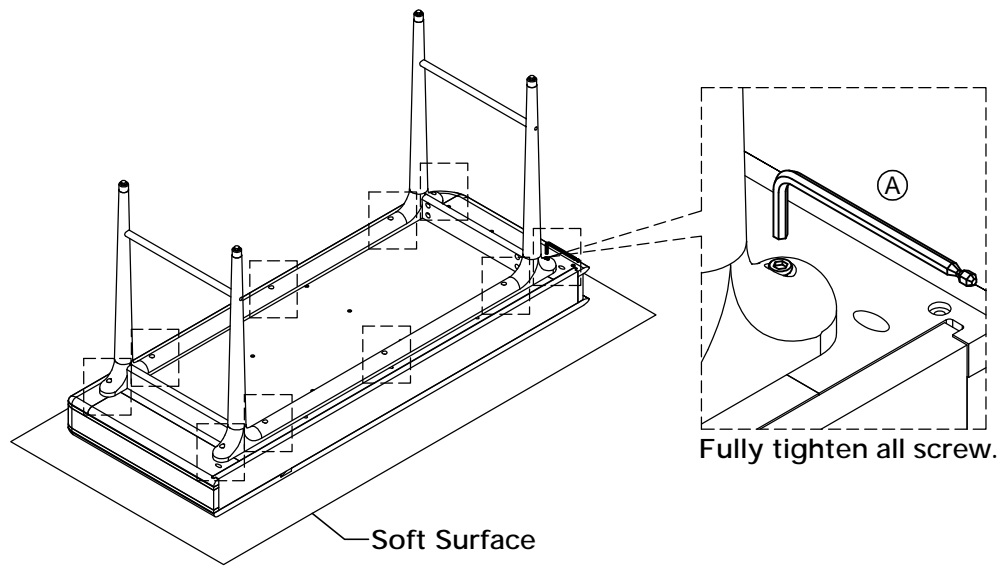
A	ALLEN KEY M4	x1
F	JCBC SCREW M6x40	x5
	SPRING WASHER M6	x5
	FLAT WASHER M6x13	x5



Don't not fully tighten all screw.

STEP 6

A	ALLEN KEY M4	x1
---	--------------	----



Fully tighten all screw.

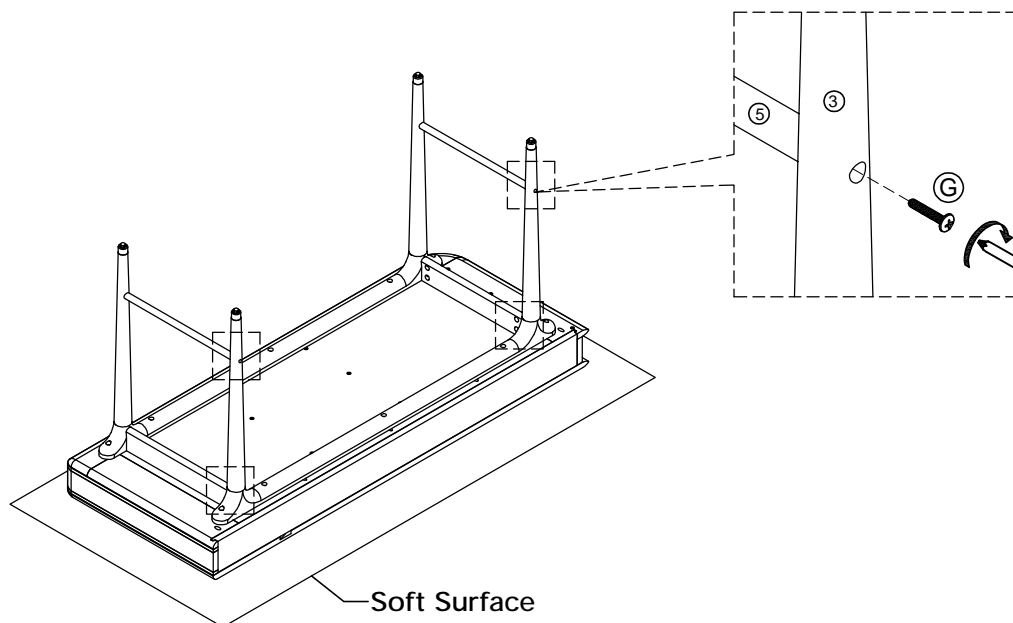
loungelovers

MANHATTAN DESK

INSTRUCTION SHEET 5/6

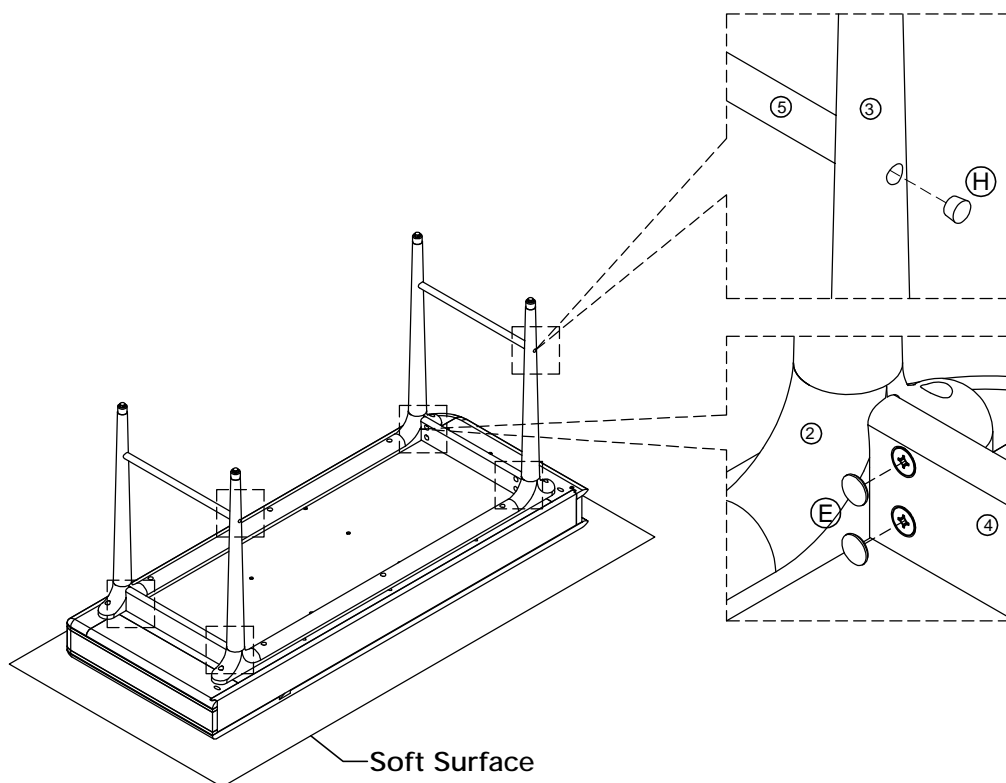
STEP 7

G	TH MS M4x22	x2
---	-------------	----



STEP 8

E	MINIFIX CAP-HOLE PLUG x8
H	WOOD BUTTON Ø11x8.5 x2



MADE IN MALAYSIA

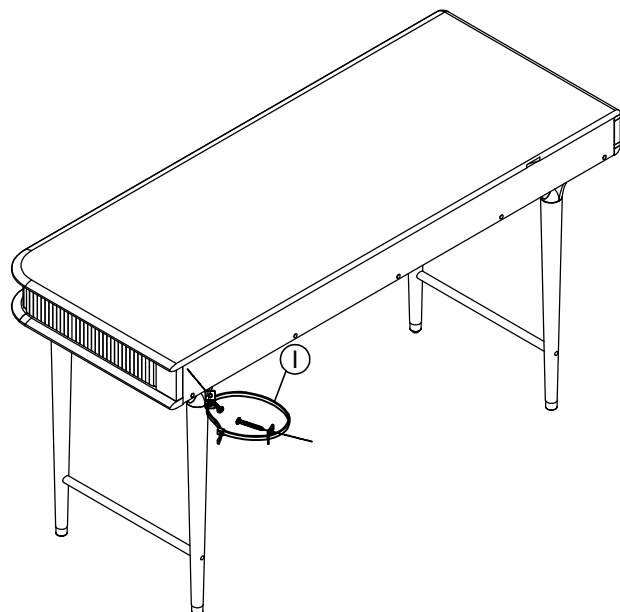
loungelovers

MANHATTAN DESK

INSTRUCTION SHEET 6/6

STEP 9

1	FURNITURE TIPPING RESTRAINT	x1
---	--------------------------------	----



CAUTION: before wall assembling, be sure to match the right screws with the wall type.

WARNING : Prevent Toppling Hazards

To ensure safety, secure your furniture to prevent tipping, which can cause serious injury or death. Follow these steps:

- **Use Anti-Tip Devices:** Always install the provided anti-tip restraints to anchor furniture to the wall.
- **Proper Weight Distribution:** Place heavier items in lower drawers or on lower shelves.
- **Prevent Climbing:** Supervise children and do not allow them to climb or hang on drawers, doors, or shelves.
- **Avoid Heavy Items on Top:** Do not place heavy items on top of furniture, including TV's unless the item is designed for such use.
- **Test Stability:** After assembly, check stability by gently pulling on drawers, doors, or shelves.
- **Regular Checks:** Periodically inspect anchoring devices and furniture stability.

Stay Safe: Anchor Your Furniture Properly



CAUTION: When attaching the anti-tip fixings:

- **CHECK** for electrical wires or plumbing inside the wall before drilling any holes. If you are unsure, seek professional advice.
- **UNDERSTAND** that walls are made from different materials (e.g. solid brick, hollow plasterboard), and it's important to use the correct wall fixings for your wall type.

Your local hardware store can provide the necessary drills and fixings and offer advice if needed or seek professional advice from a tradesman.

AFTER ASSEMBLY:

PERFORM A STABILITY TEST to ensure the furniture is stable and securely anchored. Gently push the furniture to confirm it does not wobble or tip over.

PERIODIC CHECKS:

REGULARLY INSPECT the furniture to ensure that the anti-tip straps or brackets remain securely attached to both the furniture and the wall. Tighten any loose fixings immediately.