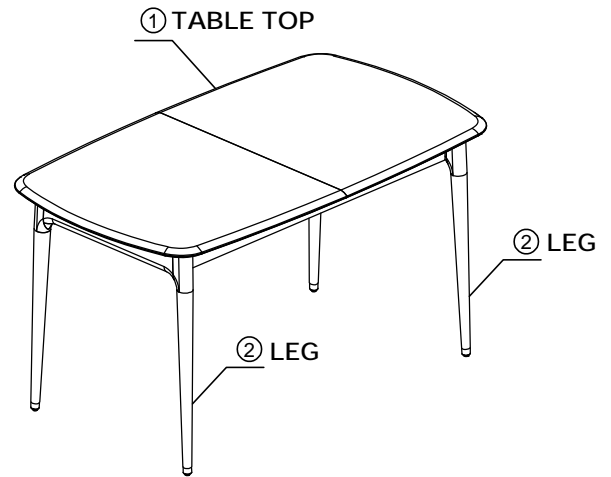
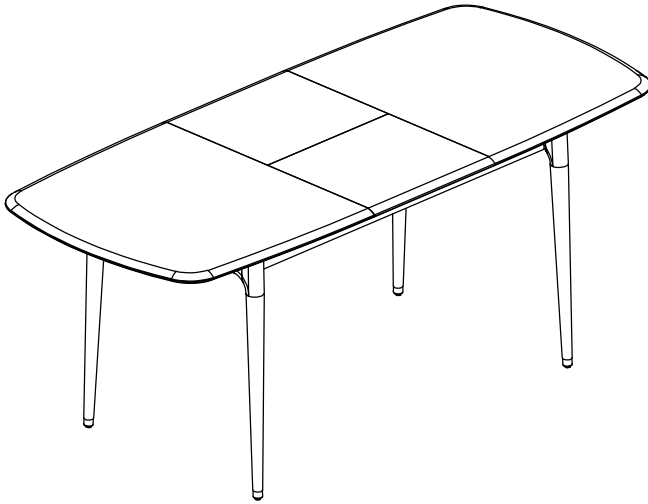






loungelovers


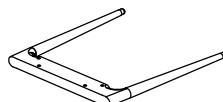
MANHATTAN EXTENSION DINING TABLE

INSTRUCTION SHEET 1/4

- Thank you for purchasing this quality product.
- Please do not discard any of the packing material until you have checked all the part for fitting.
- Before you begin to assemble your new piece of furniture, please check that all part have been supplied.
- It is recommended that assembly is done on soft surface like carpet to avoid any damage.



HARDWARE LIST			
NO.	DESCRIPTION		QTY.
A		ALLEN KEY M4	1 pc
LEG HARDWARE			
B		JCBC SCREW M6x50	8 pcs
		SPRING WASHER M6	8 pcs
		FLAT WASHER M6x17x2	8 pcs

PARTS LIST			
NO.	DESCRIPTION		QTY
1		TABLE TOP	1 pc
2		LEG	2 pcs





loungelovers

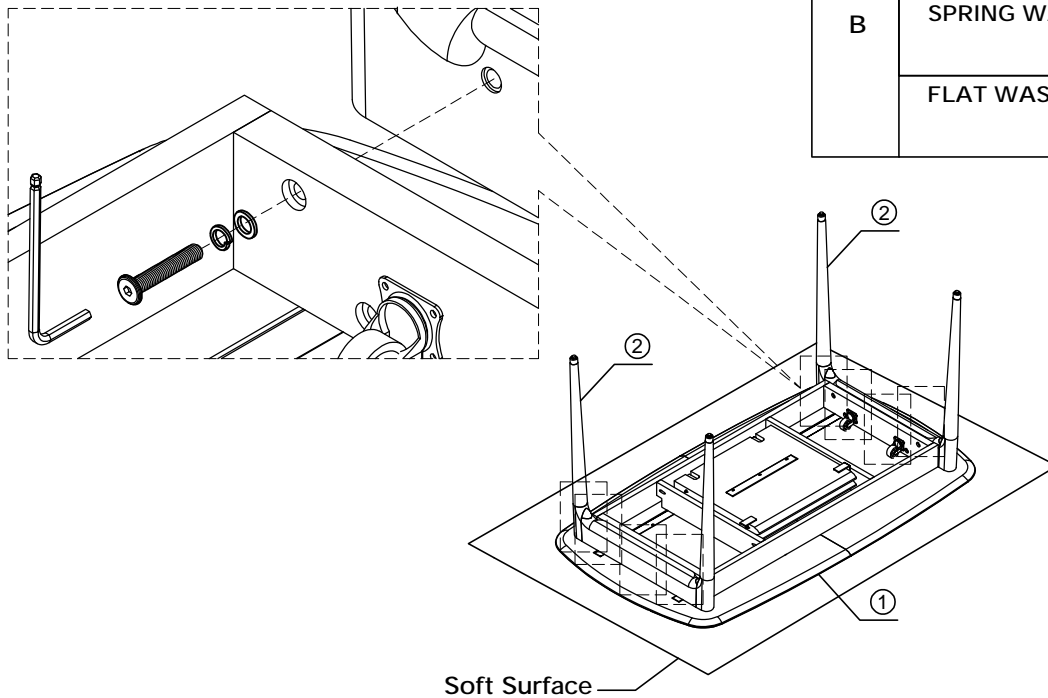
MANHATTAN EXTENSION DINING TABLE

INSTRUCTION SHEET 2/4

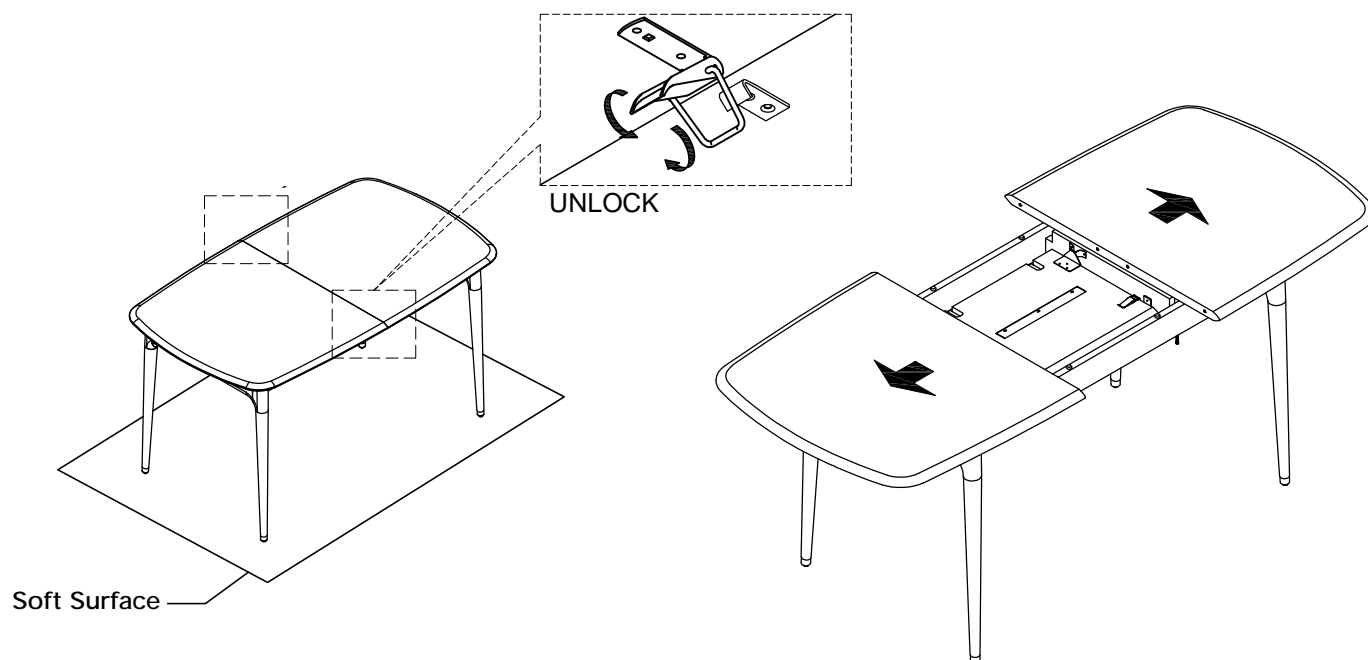
STEP 1

Assemble part (1) and (2).

A	ALLEN KEY M4 	x 1
B	JCBC SCREW M6x50 	x 8
	SPRING WASHER M6 	x 8
	FLAT WASHER M6x17x2 	x 8



STEP 2



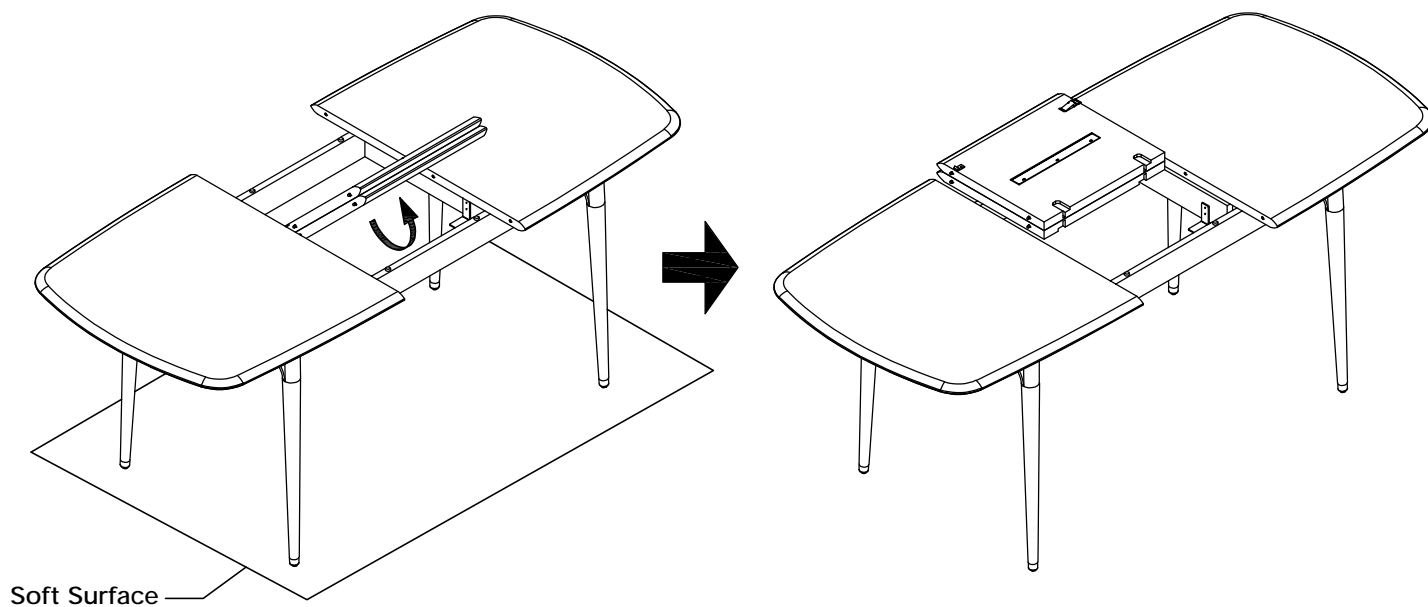
MADE IN MALAYSIA

loungelovers

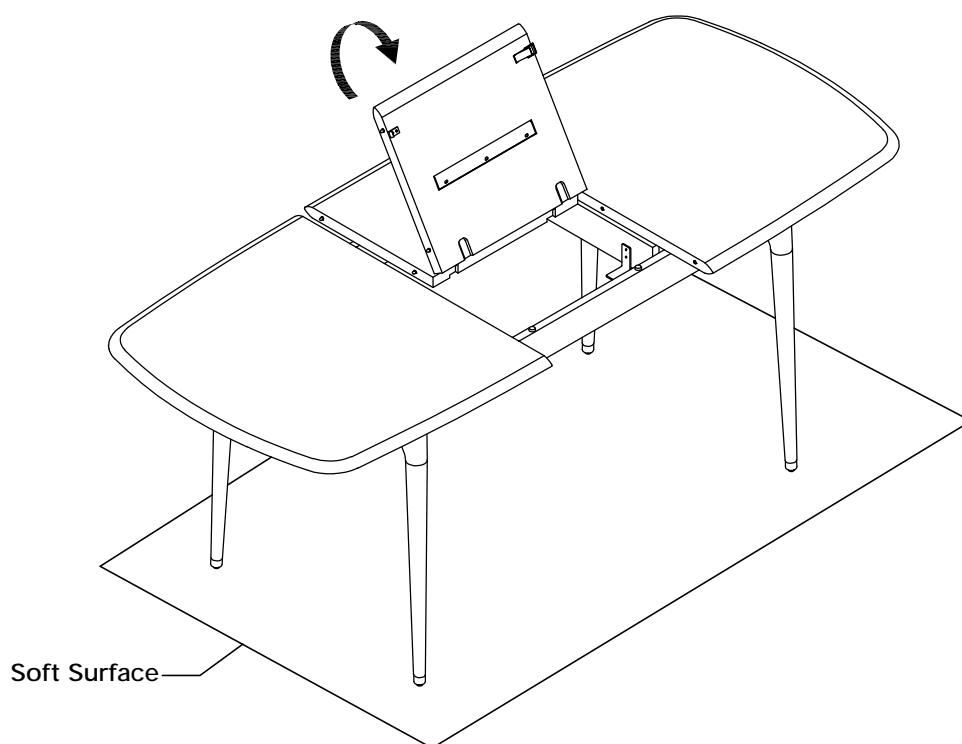
MANHATTAN EXTENSION DINING TABLE

INSTRUCTION SHEET 3/4

STEP 3



STEP 4



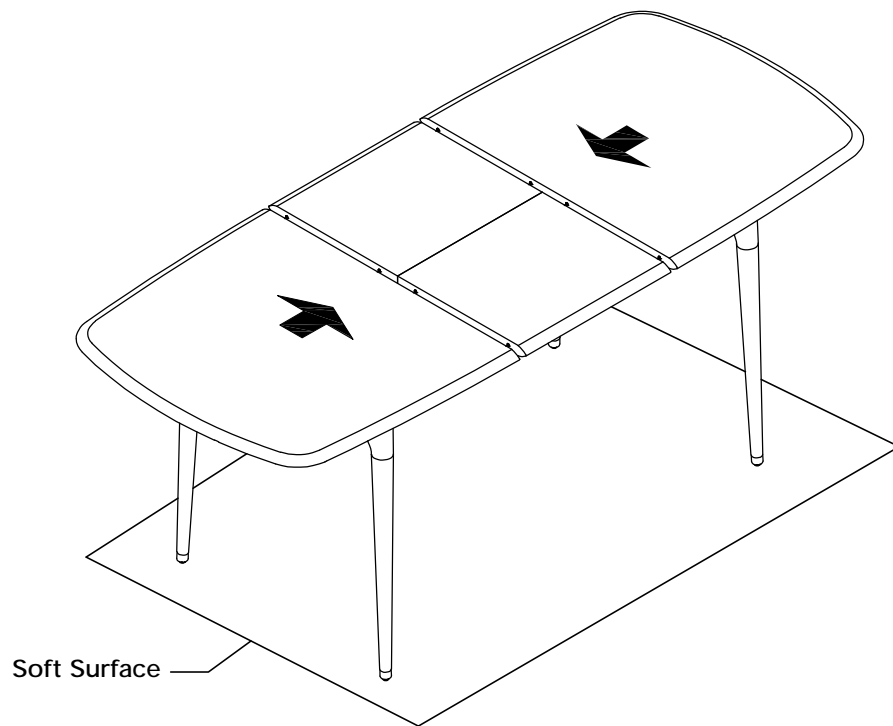
MADE IN MALAYSIA

loungelovers

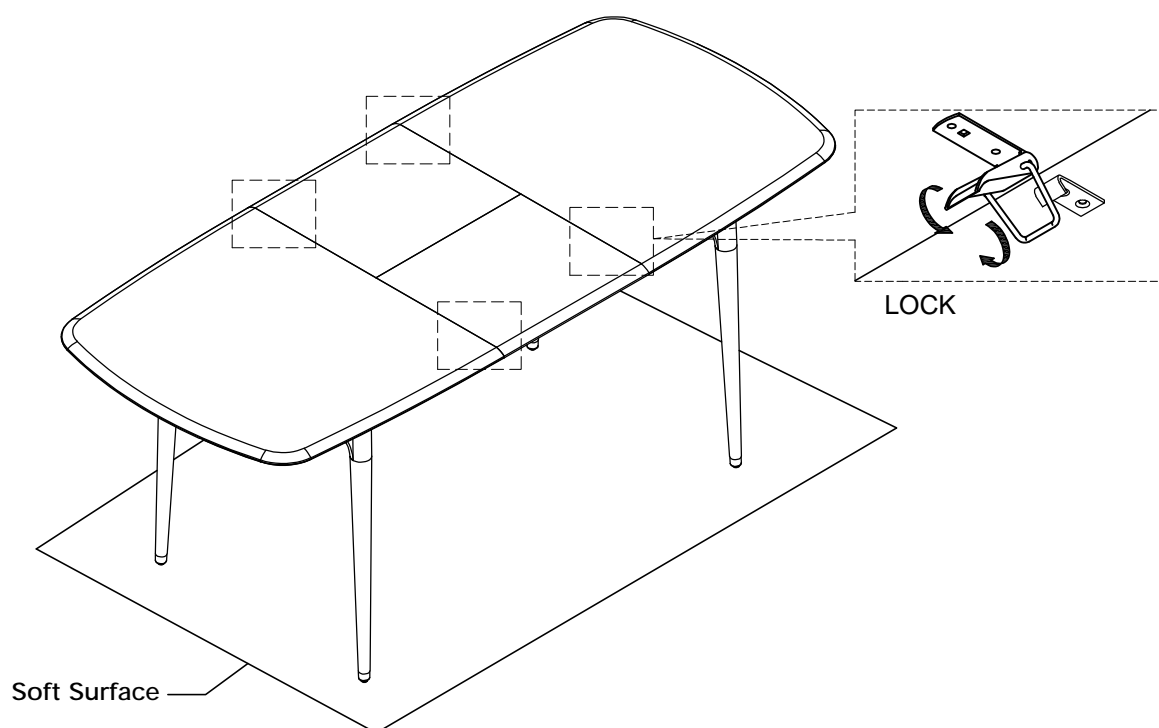
MANHATTAN EXTENSION DINING TABLE

INSTRUCTION SHEET 4/4

STEP 5



STEP 6



MADE IN MALAYSIA